

"THIS DRAWING AND SPECIFICATIONS, HEREIN, ARE THE PROPERTY OF DIGITAL EQUIPMENT CORPORATION AND SHALL NOT BE REPRODUCED OR COPIED OR USED IN WHOLE OR IN PART AS THE BASIS FOR THE MANUFACTURE OR SALE OF ITEMS WITHOUT WRITTEN PERMISSION. 1982. COPYRIGHT © DIGITAL EQUIPMENT CORPORATION"

DWG. NUMBER	DESCRIPTION
K-PL-7016976-0-DBP	SERVO BOARD AND STIFFENER ASSEMBLY
E-UA-5414014-0-0	SERVO CONTROL
K-PL-5414014-0-DBP	SERVO CONTROL
D-CS-5414014-0-1	SERVO CONTROL
E-UA-5413596-0-0	READ/WRITE 1
K-PL-5413596-0-DBP	READ/WRITE 1
D-CS-5413596-0-1	READ/WRITE
D-BD-5413596-0-2	READ/WRITE
D-UA-5413643-0-0	HDA PCB 1
K-PL-5413643-0-DBP	HDA PCB 1
D-CS-5413643-0-1	HDA PCB 1
D-AD-7018327-0-0	PERSONALITY BOARD AND STIFF ASSEMBLY
K-PL-7018327-0-DBP	PERSONALITY BOARD AND STIFF ASSEMBLY
D-UA-5414923-0-0	RA80 PERSONALITY
K-PL-5414923-0-DBP	RA80 PERSONALITY
D-CS-5414923-0-1	RA80 PERSONALITY

THIS DRAWING AND SPECIFICATIONS HEREAFTER ARE THE PROPERTY OF DIGITAL EQUIPMENT CORPORATION AND SHALL NOT BE REPRODUCED OR COPIED IN WHOLE OR IN PART AS THE BASIS FOR THE MANUFACTURE OR SALE OF ITEMS WITHOUT WRITTEN PERMISSION. COPYRIGHT © 1991, DIGITAL EQUIPMENT CORPORATION

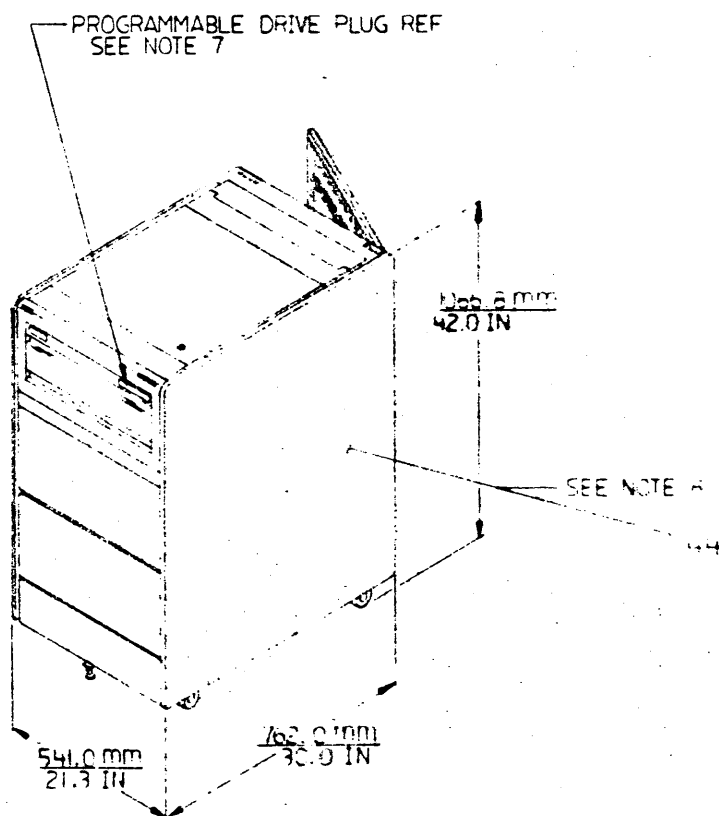
TABLE A		VARIATION	VARIATION
ITEM NO.	MOUNTING HOLE		
	RIGHT REAR VERTICAL UPRIGHT	LEFT REAR VERTICAL UPRIGHT	
5	2, 5		ALL
9	14, 56		ALL
46		7	ALL

LEGEND			
VARIATION	DESCRIPTION	VOLT	FREQ
RA80-CA	ONE RA80 IN H9642-B CAB	120 V	60 HZ
RA80-CD	ONE RA80 IN H9642-B CAB	240 V	50 HZ

MODEL RA80-CA SN:
60 HZ 120V~
2+G W 7.1A


DETAIL G
SCALE: NONE
SEE NOTE 6

- NOTES:
1. REMOVE EXISTING HARDWARE FROM DRIVE POWER SUPPLY AND REINSTALL, MOUNTING CABLE CLAMP (ITEM 17).
 2. LOCATE CABLE TIES (ITEM 28) APPROXIMATELY 6" APART. SEE PARTS LIST FOR QUANTITIES PER VARIATION. USE MINIMUM SETTING ON TOOL NO. WT193 FOR TIGHTENING CLAMPS, OR EQUIVALENT.
 3. USE EXISTING SCREWS ON STRAIN RELIEF (PROVIDED WITH DRIVE) TO MOUNT CABLE CLAMPS (ITEM 27).
 4. DRIVE SPINDLE SEQUENCE PLUG (ITEM 30) INSTALLS AT "IN" POSITION, SEE DETAIL C SHEET 2.
 5. S I CABLE (ITEM 31) ASSEMBLES TO OTHER CABINETS CONFIGURED WITH CPU + UDA.
 6. MANUFACTURING ORGANIZATION TO COMPLETE LABEL INFORMATION ACCORDING TO LEGEND. (DETAIL G SHOWS MODEL RA80-CA AS EXAMPLE ONLY)
 7. THIS SHOWN FOR REFERENCE ONLY. REFER TO THE RA80 DISK DRIVE USERS GUIDE P/N EK-ORA80-UG FOR INSTALLATION OR PROCEDURE.
 8. IF STAND ALONE CABINET USE OPTIONAL SIDE PANELS (ITEM 14) H9544-AA, QTY 2 (ATTACH GND STRAP TO SIDE HOLE #53).
 9. REFER TO THE UDA50 DISK CONTROLLER USERS GUIDE PART NO. EK-UDA50-UG.
 10. FOR DRIVE SPINDLE SEQUENCE IN ANOTHER CABINET ORDER EXTERNAL DRIVE SEQUENCE CABLE ASSY PART NO. 7018458-(XX), (CHECK OPTIONAL LENGTHS OFFERED).
 11. ASSURE CABLE SHIELD IS ONLY GROUNDED THRU P.C. BOARD .1µf CAP. NOT DIRECTLY TO CHASSIS GND.
 12. ASSEMBLY CRITERIA PER DEC STD-116 SECS 4,5, & 7.
 13. GENERAL TORQUE REQUIREMENTS PER A-SP-7665328-0-0.
 14. DRESS CABLES AND/OR EXCESS TO VERTICAL UPRIGHTS AS CLOSE AS POSSIBLE, THIS WILL AVOID SNAGGING OR INTERFERENCE WITH FUTURE ADD-ON SLIDE MTD. DISK DRIVE.

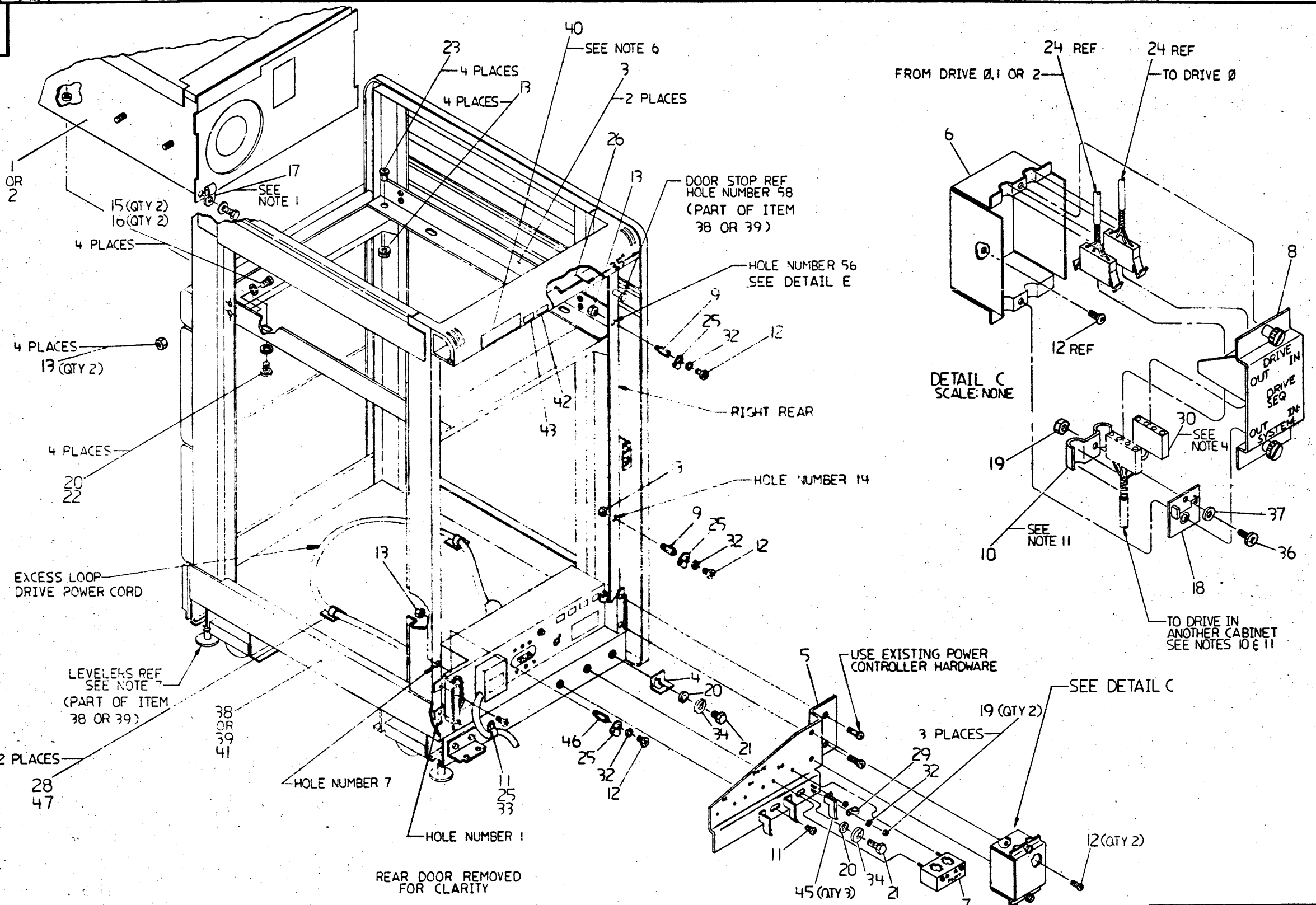


CAUTION: OFF SHEET PARTS LIST EXISTS
SEE K-PL-RA80-C-DBP (Z2867).

REV.	DESCRIPTION
A	RELEASED TO I.C.O. CONTROL PER P.C.O. RA80-041

DESCRIPTION	DRAWING NO.	PART NO.	ITEM NO.							
UNLESS OTHERWISE SPECIFIED DIMENSIONS ARE IN INCHES AND THE FOLLOWING TOLERANCES APPLY (PER DEC STD 114)										
INCHES TOLERANCES X = ± .1 XX = ± .02 XXX = ± .005	ANGLES ± 0°30' SURFACE QUALITY <input checked="checked" type="checkbox"/> MICRONS	APPLICABLE DIMENSION RANGE								
		DIMENSION RANGE IN INCHES								
		OVER	OVER	OVER	OVER	OVER	OVER			
		TO	TO	TO	TO	TO	TO	TO	TO	TO
		0.2	1.2	1.2	4.0	4.0	12.0	12.0	40.0	40.0
		± .04	± .008	± .012	± .016	± .024	± .04	± .04	± .04	± .04
THIRD ANGLE PROJECTION 	DATE BY W.C.M. 2 Sept 81	DATE 1 Oct 81	DATE 15 Sept 81	DATE 15 Sept 81						
DO NOT SCALE DRAWING	REMOVE BURRS AND BREAK SHARP CORNERS	MATERIAL SEE PARTS LIST	FINISH +	TITLE RA80 IN H9642-B CAB						
NEXT HIGHERCOD: B-DD-RA80-C			DOCUMENT NUMBER	DUA RA80-C-0 A						
SCALE: ---			REV A	REV A						

THIS DRAWING AND SPECIFICATIONS ARE THE PROPERTY OF DIGITAL EQUIPMENT CORPORATION AND SHALL NOT BE REPRODUCED OR COPIED IN WHOLE OR IN PART AS THE BASIS FOR THE MANUFACTURE OR SALE OF ITEMS WITHOUT WRITTEN PERMISSION. COPYRIGHT © 1961, DIGITAL EQUIPMENT CORPORATION.



REVISION HISTORY		
DATE	ECO NUMBER	REV.

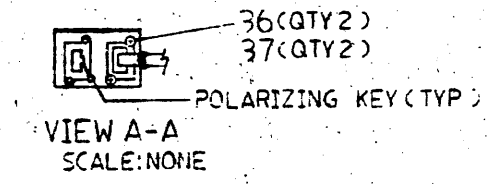
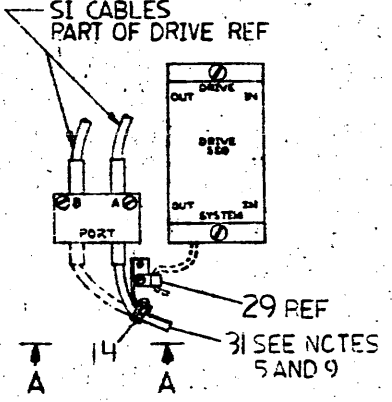
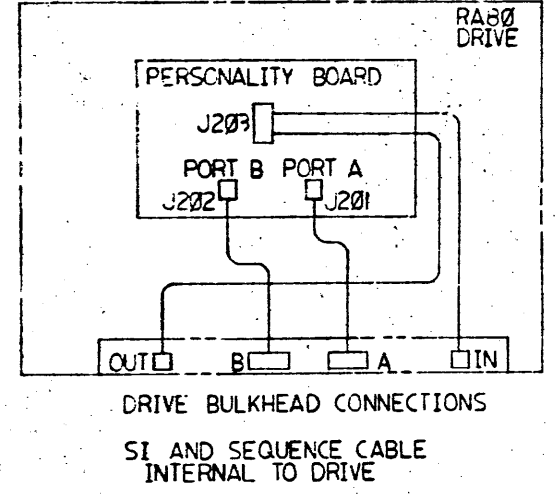
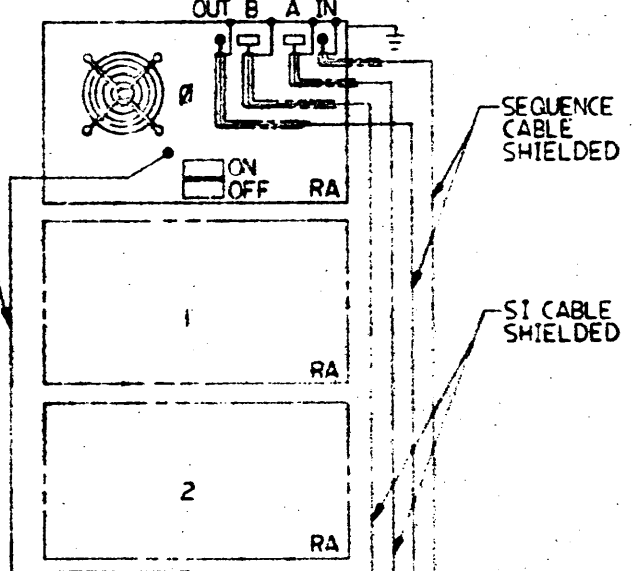
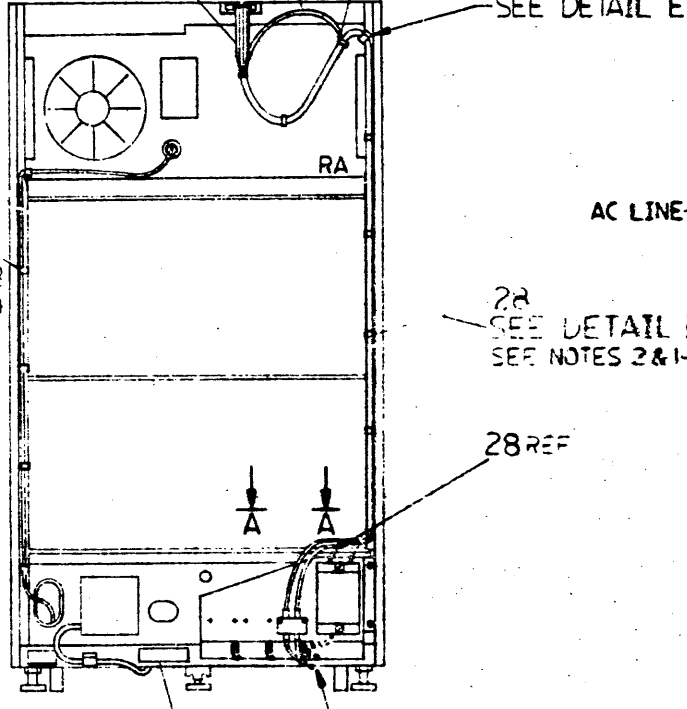
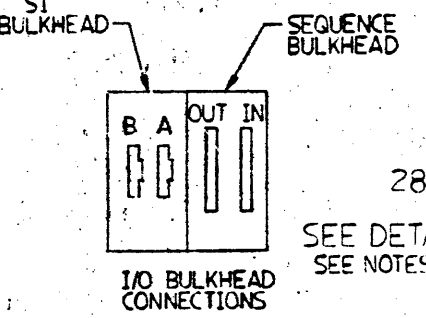
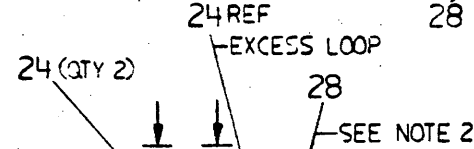
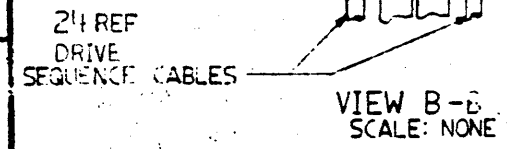
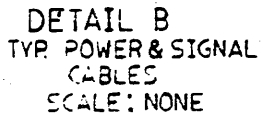
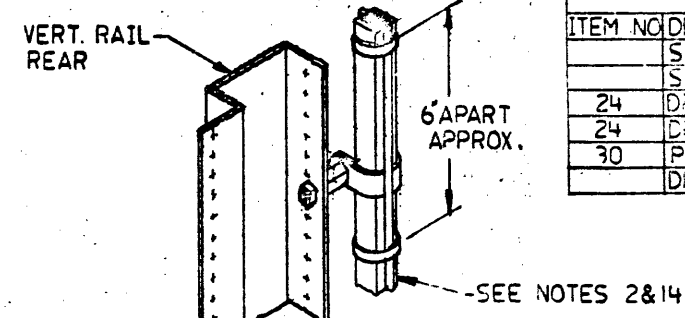
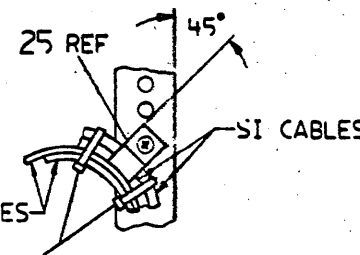
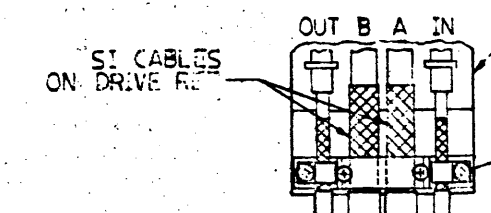
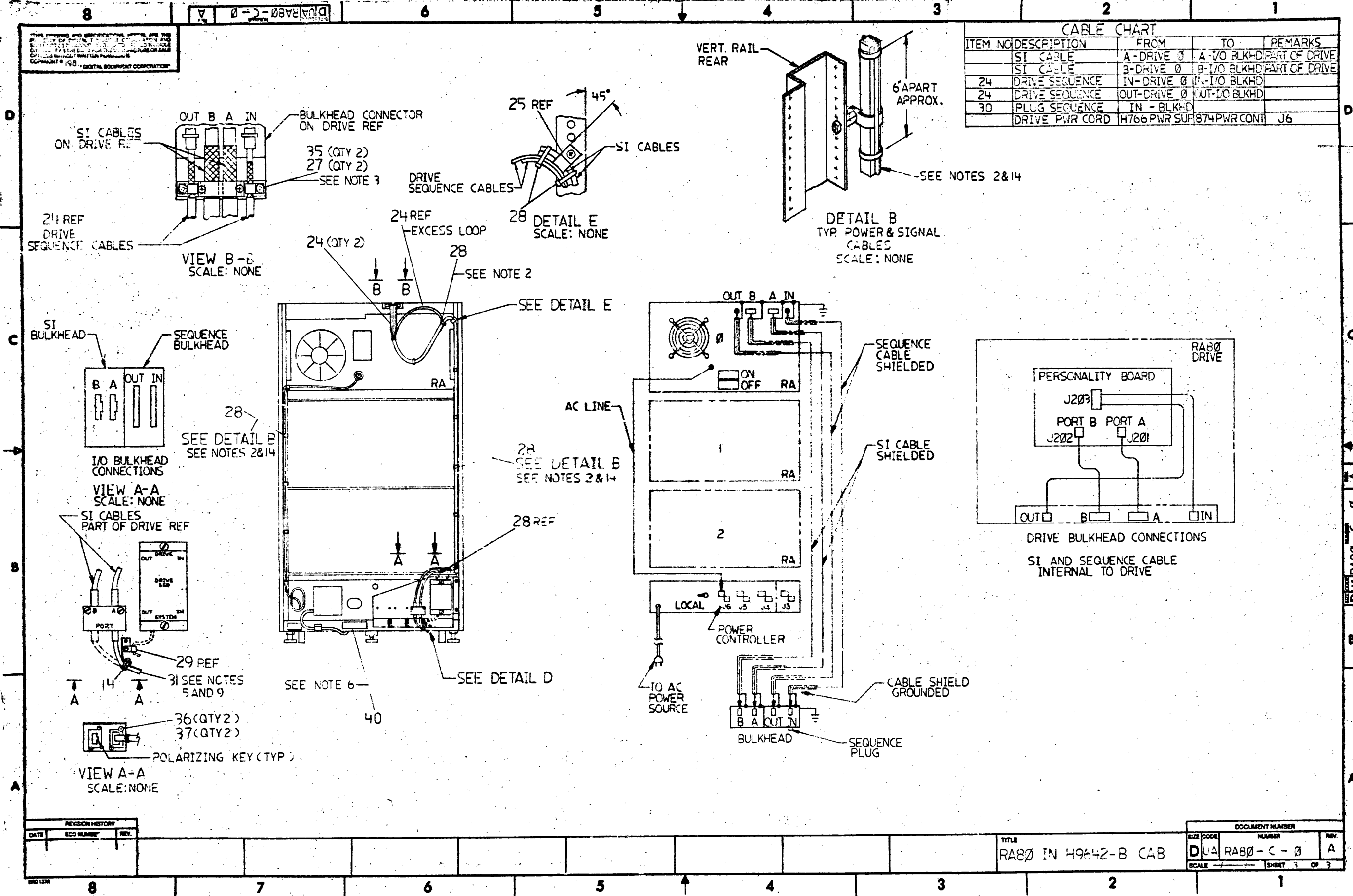
TITLE
RA80 IN H9642-B CAB

DOCUMENT NUMBER			
SIZE	CODE	NUMBER	REV.
D	U	RA80-C-0	A
SCALE		SHEET 2 OF 3	

THIS DRAWING AND SPECIFICATIONS, MATERIALS AND THE METHOD OF CONSTRUCTION ARE THE PROPERTY OF DIGITAL EQUIPMENT CORPORATION AND ARE TO BE USED ONLY FOR THE MANUFACTURE OR REPAIR OF THE EQUIPMENT SPECIFICALLY IDENTIFIED THEREON. NO PARTS OF THIS DRAWING OR SPECIFICATIONS ARE TO BE REPRODUCED OR TRANSMITTED IN ANY FORM OR BY ANY MEANS, ELECTRONIC OR MECHANICAL, INCLUDING PHOTOCOPYING, RECORDING, OR BY ANY INFORMATION STORAGE AND RETRIEVAL SYSTEM. © COPYRIGHT © 1980, DIGITAL EQUIPMENT CORPORATION

CABLE CHART

ITEM NO	DESCRIPTION	FROM	TO	REMARKS
	SI CABLE	A-DRIVE 0	A-1/0 BLKHD	PART OF DRIVE
	SI CABLE	B-DRIVE 0	B-1/0 BLKHD	PART OF DRIVE
24	DRIVE SEQUENCE	IN-DRIVE 0	IN-1/0 BLKHD	
24	DRIVE SEQUENCE	OUT-DRIVE 0	OUT-1/0 BLKHD	
30	PLUG SEQUENCE	IN - BLKHD		
	DRIVE PWR CORD	H766 PWR SUP	H74 PWR CONT	J6



REVISION HISTORY		
DATE	ECC NUMBER	REV.

TITLE
RA80 IN H9642-B CAB

DOCUMENT NUMBER			
SIZ CODE	NUMBER	REV.	
DUA	RA80-C-0	A	
SCALE		SHEET	3 OF 3

LINE ITEM	DOCUMENT NUMBER	PART NUMBER	DESCRIPTION	QUANTITY PER VARIATION	
				CA	CD
1	1	D-AD-7018330-0-0	7018330-00	DISK DRIVE ASSEMBLY	1 -
2	2	D-AD-7018330-0-0	7018330-01	RABO DRIVE 50HZ	- 1
3	3		7425325-00	MOUNTING ANGLE	2 2
4	4		7425161-00	END PANEL LOCK	1 1
5	5		7425960-01	BRACKET,BULK,HEAD MTG	1 1
6	6		7426086-01	BOX,SEQUENCE	1 1
7	7		7018340-01	I/O BULKHEAD DRIVE MODULE	1 1
8	8		7018486-01	COVER, SHELF ASSEMBLY	1 1
9	9		9000001-19	STANDOFF,HEX,M/F 10-32X 6-32 1	2 2
10	10		9010333-01	CLAMP,DUAL TUBE .093DIA	1 1
11	11		9009700-00	SCREW,TRUS,PHIL,SEMS10-32X .500L	2 2
12	12		9009984-00	SCREW, SEMS, PHILLIPS PAN HD. 6-	5 5
13	13		9006565-00	NUT,KEP 10-32X 3/8 AF	15 15
14	14		9008929-00	CLAMP, WORM GEAR,S.S.,1-5/16"TO2	1 1
15	15		9006074-01	SCREW,PAN,PHIL 10-32X 5/8 SS	8 8
16	16		9006636-00	WASHER,LOCK,INT.,.3800D X .200ID	8 8
17	17		9007083-00	CLAMP,CABLE,SCREW MTD. 3/8 "	1 1
18	18	SEE NOTE 1		RABO SEQ CAP TO GND BD #3	1 1
19	19		9006560-00	NUT,KEP 6-32X 5/16AF	7 7
20	20		9006646-00	WASHER, FLAT, .500 O.D. X .281 I	6 6
21	21		9006243-09	SCREW,HEX 1/4-20X 3/4	2 2
22	22		9009988-00	SCREW, SEMS, SLOTTED HEX HD 1/4-	4 4
23	23		9006073-02	SCREW,FLAT,PHIL, 10-32X 1/2	4 4
24	24		7018457-06	CABLE POWER SEQUENCE INT (6')	2 2
25	25		9007088-00	CLAMP,CABLE,SCREW MTD. 11/16"	4 4
26	26		9009718-04	GROMMET, EXTRUDED, 5.5LONC	1 1
27	27		9010332-01	CLAMP,SCREW MTG .125 DIA	2 2
28	28		9007032-00	TIE,CABLE BUNDL.DIA 0-1-3/4"=101	16 16
29	29		9007080-00	CLAMP,CABLE,SCREW MTD. 3/16"	1 1
30	30		7009490-00	POWER SEQUENCE JUMPER ASSEMBLY	1 1

REVISION HISTORY		BASIC PART NO:	ORABO	DRN:	B. NICHOLS	DATE:	14-AUG-81	DIGITAL		
ENG!	ECO NUMBER	REV	SECTION A OF A	CHK'D:	W.C.M	DATE:	15 SEP 81	TITLE	PARTS LIST	
	INITIAL	A	SECTION. VARIATION INDEX		W. MAJOR	DATE:	15 SEP 81	RABO IN H9642-B CAB		
			[A] CA,CD		<i>R. Ducharme</i>	DATE:	15 SEP 81			
			[B]	DES. ENG.:	R. DUCHARME	DATE:	15 SEP 81			
			[C]	RESP. ENG.:	<i>W. Mathrani</i>	DATE:	15 SEP 81	DOCUMENT NUMBER		
			[D]					SIZE CODE NUMBER	REV	
			[E]	MFG. ENG.:	W. EHRMANN	DATE:	15 SEP 81	K PL RABO-C-DBP	A	
			[F]	ASSEMBLY NUMBER:	<i>Wade Williams</i>	DATE:	23 SEP 81	FILE NAME:	EDIT #	
				D-UA-RABO-C-0			#B-DD-RABO-C	Z2867A.PLS	26	

*THIS DRAWING AND SPECIFICATIONS HEREIN, ARE THE PROPERTY OF DIGITAL EQUIPMENT CORPORATION AND SHALL NOT BE REPRODUCED OR COPIED OR USED IN WHOLE OR IN PART AS THE BASIS FOR THE MANUFACTURE OR SALE OF ITEMS WITHOUT WRITTEN PERMISSION. COPYRIGHT (C) 1981. DIGITAL EQUIPMENT CORPORATION *

LINE	ITEM	DOCUMENT NUMBER	PART NUMBER	DESCRIPTION	QUANTITY PER VARIATION	
					CA	CD
31	31		BC26V-12	SI CABLE,12FT,4 COAX SHIELDED	1	1
32	32		9006659-00	WASHER, FLAT, .375 O.D. X .156 I	4	4
33	33		9006664-00	WASHER, FLAT, .437 OD X .218 ID	1	1
34	34		9007797-00	WASHER, LOCK, S.S. 1/4	2	2
35	35		9006655-00	WASHER, FLAT, .312 O.D. X .125 I	2	2
36	36		9006024-01	SCREW,PAN,PHIL 6-32X 1/2 SS	3	3
37	37		9007649-00	WASHER, LOCK, EXTERNAL TOOTH #6	3	3
38	38		H9642-BM	RABO EXP CAB W 874 (120V),H9542-	1	-
39	39		H9642-BN	H9642-BM EXCEPT 240V	-	1
40	40		3617674-00	LABEL,SERIAL & POWER,UNIVERSAL	2	2
41	41		3700436-08	CAB H9642 REPLACES VAR. 00, 01,	REF	REF
42	42		7416197-02	DECAL-UL LISTED EDP	1	1
43	43		3613211-00	DECAL,CLEAR PREPRINTED CSA 1-1/4	-	1
44	44		H9544-AA	40"END PANEL,GREY FRAME,DARK BKO	REF	REF
45	45		7425959-01	RETAINER,CABLE ENTRY	3	3
46	46		9000001-15	STANDOFF,HEX,M/F 10-32 6-32x 1	1	1
47	47		9008264-00	MOUNT, CABLE TIE, ADHESIVE BACKE	2	2

48 NOTE: 1. PART NUMBER FOR ITEM 18 (5415375-00) WAS NOT IN MASTER PARTS
 49 NOTE: - FILE AT TIME OF ECO RELEASE.

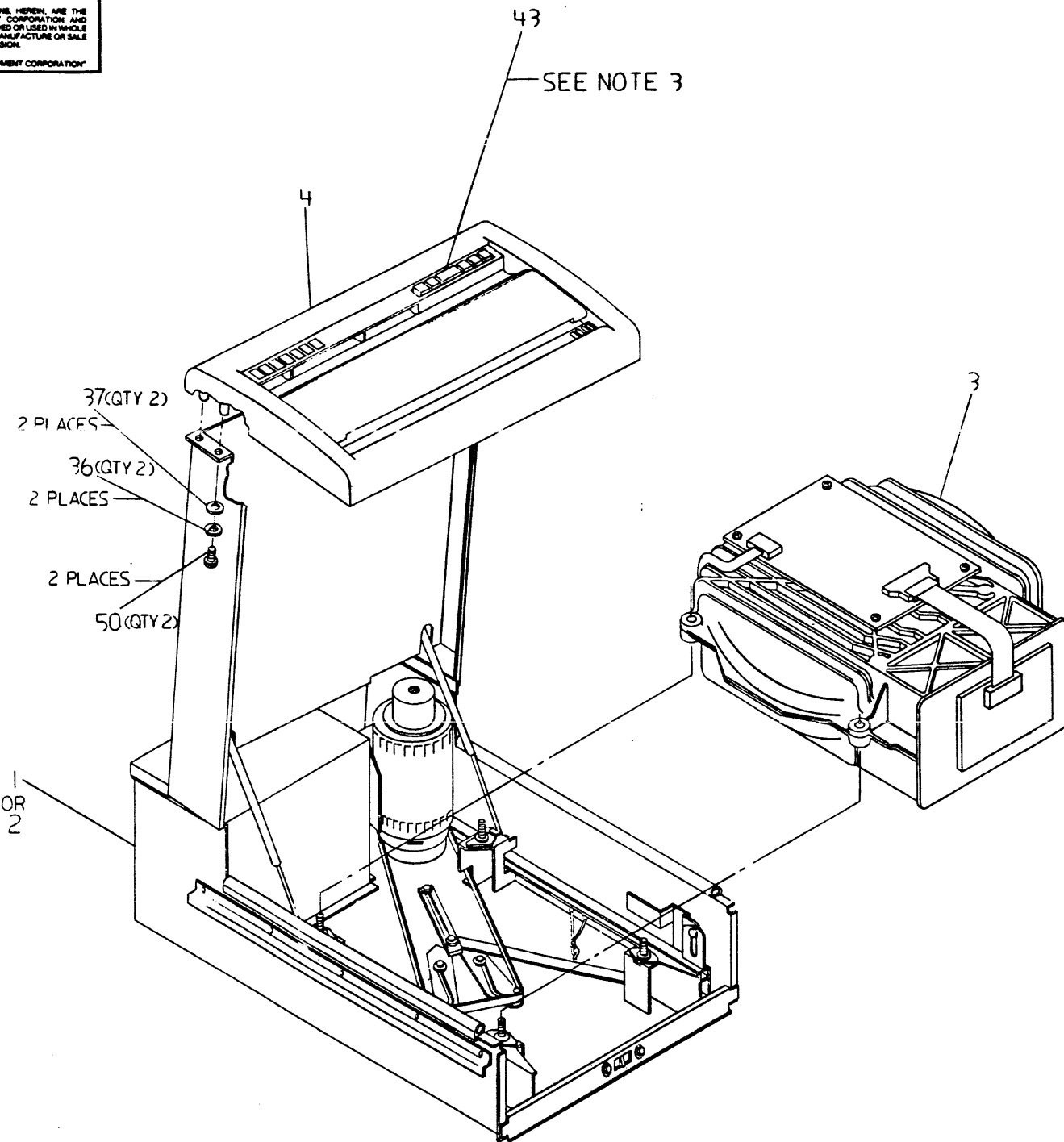
D	I	G	I	T	A	L	TITLE	SECTION A OF A	SIZE	CODE	DOCUMENT NUMBER	REV
							RABO IN H9642-B CAB		K	PL	RABO-C-DBP	A

W 0-0-0 7018330-0-0

THIS DRAWING AND SPECIFICATIONS HEREIN ARE THE PROPERTY OF DIGITAL EQUIPMENT CORPORATION AND SHALL NOT BE REPRODUCED OR COPIED OR USED IN WHOLE OR IN PART AS THE BASIS FOR THE MANUFACTURE OR SALE OF ITEMS WITHOUT WRITTEN PERMISSION. COPYRIGHT © 1981, DIGITAL EQUIPMENT CORPORATION

LEGEND	
PART NO	VARIATION
7018330-00	60HZ, 120V
7018330-01	50HZ, 240V

- NOTES:
- ADJUST BELT TO 23±2 LBS TENSION AND INSTALL SHIPPING BRACKET. TIGHTEN BOLT BETWEEN MOTOR MOUNT AND SHIPPING BRACKET SNUG AGAINST SHIPPING BRACKET, THEN LOCK IN PLACE BY TIGHTENING NUT ON FRONT SIDE OF SHIPPING BRACKET.
 - APPLICATION FOR BEST ADHESION:
 - REMOVE BACK PAPER PER VENDOR.
 - CLEAN BEZEL SURFACE WITH SOLVENT (ISOPROPHYL ALCOHOL).
 - RUB ALL LETTERING TO CLEAN AREA BEFORE REMOVING FRONT PAPER FROM DECAL USING A DULL ROUNDED INSTRUMENT. WHEN REMOVING FRONT PAPER, FOLLOW INSTRUCTIONS ON DECAL PER VENDOR.
 - REFER TO THE RAB0 USERS GUIDE (PART NO EK-ORA80-UG) FOR INSTALLATION OF APPROPRIATE DRIVE ADDRESS SWITCH MARKER. BAG ENTIRE MARKERSHEET AND SECURE FOR SHIPMENT.
 - ITEM 26, 43 & 44 ARE PACKAGED FOR SHIPMENT WITH DRIVE ASSEMBLY.
 - INSTALL POWER SUPPLY (H7660A-B) FIRST, THEN MOUNT DRIVE BULKHEAD BRACKET (7427169-01).

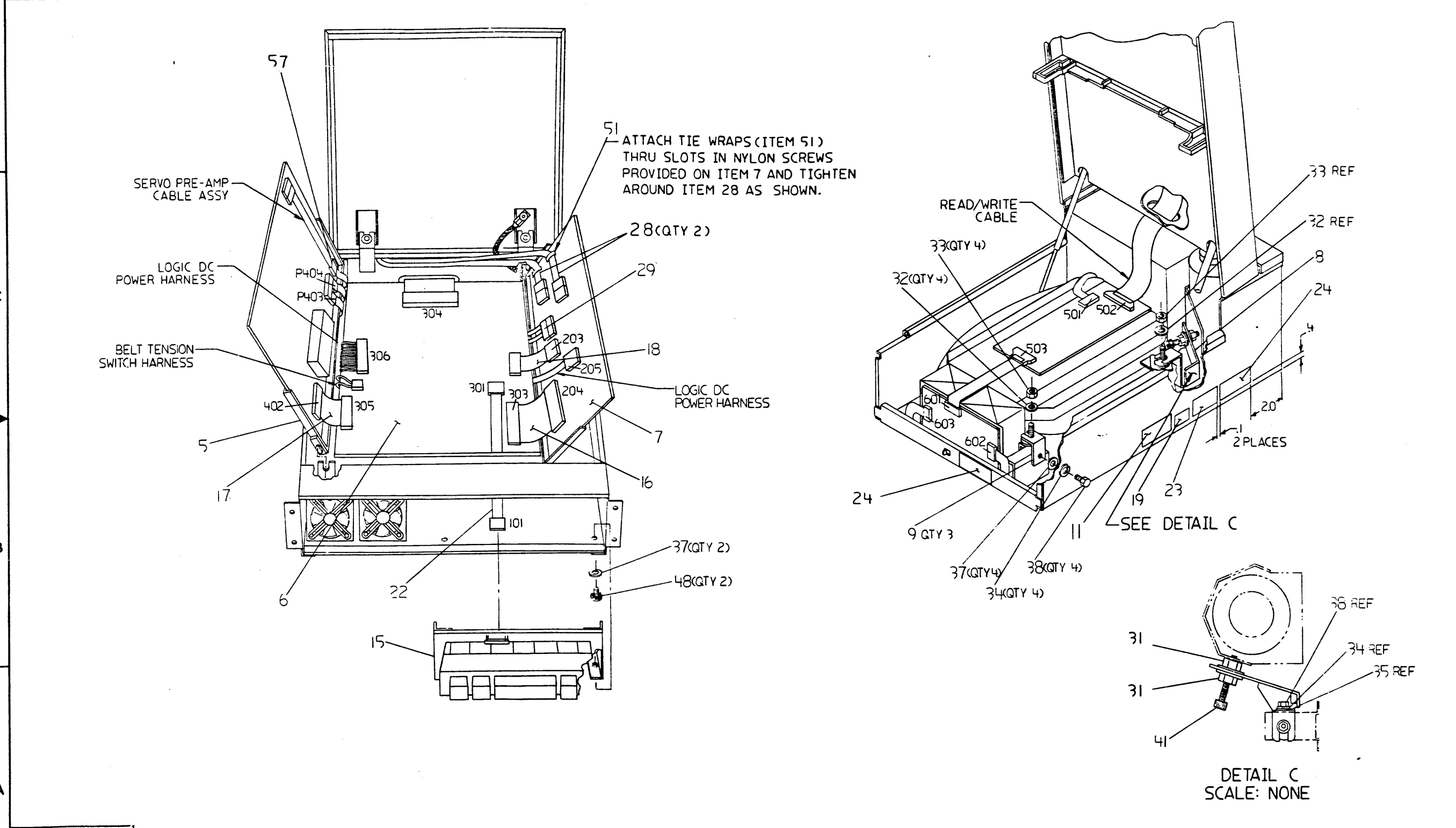


CAUTION: OFF-SHEET PARTS LIST EXISTS. SEE K-PL-7018330-0-DBP (22156)

REV	DATE	DESCRIPTION
A	1981	RELEASED TO ECO CONTROL PER PLO RABB-044
B	1981	7018330-CX001 LRM 12 JULY 82 R DUCHARME
C	1981	7018330-CX002 AP 10 SEPT 82 G. NORDBERG
D	1981	7018330-CX003 LRM 9 OCT 82 G. NORDBERG
E	1981	RUA 80-CX003 FU 16 MAR 83 J. NORDBERG
F	1981	RAB0-CX001 FU 7 APR 83 G. NORDBERG
H	1981	RAB0-CX002 FU 15 MAY 83 J. READ
J	1981	1905 RAB0-CX003 W.S. 7 JULY 83 J. NORDBERG
K	1981	1968 RAB0-CX004 FU 21 SEP 83 J. NORDBERG
L	1981	1987 7018330-CX004 FU 17 OCT 83 J. READ
M	1981	7018330-CX005 AP 30 NOV 83 J. READ

DESCRIPTION	DRAWING NO.	PART NO.	ITEM NO.				
UNLESS OTHERWISE SPECIFIED DIMENSIONS ARE IN INCHES AND THE FOLLOWING TOLERANCES APPLY (PER DEC STD 114)							
INCHES TOLERANCES	ANGLES ± 0° 30'	APPLICABLE DIMENSION RANGE	DIMENSION RANGE IN INCHES				
X = ± .1	SURFACE QUALITY	CHECK ONE	0 TO 0.2	OVER 0.2 TO 0.4	OVER 0.4 TO 0.6	OVER 0.6 TO 0.8	OVER 0.8 TO 1.0
XX = ± .02			± .02	± .03	± .04	± .05	± .06
XXX = ± .005			± .004	± .005	± .012	± .016	± .024
THIRD ANGLE PROJECTION	DATE 2 Feb 81	TITLE digital					
DO NOT SCALE DRAWING	DATE 15 Sep 81	DISK DRIVE ASSEMBLY					
REMOVE BURRS AND BREAK SHARP CORNERS	DATE 17 Sep 81	DOCUMENT NUMBER					
MATERIAL	DATE 17 Sep 81	D AD 7018330-0-0					
FINISH	DATE 17 Sep 81	SCALE: NONE SHEET 1 OF 4					

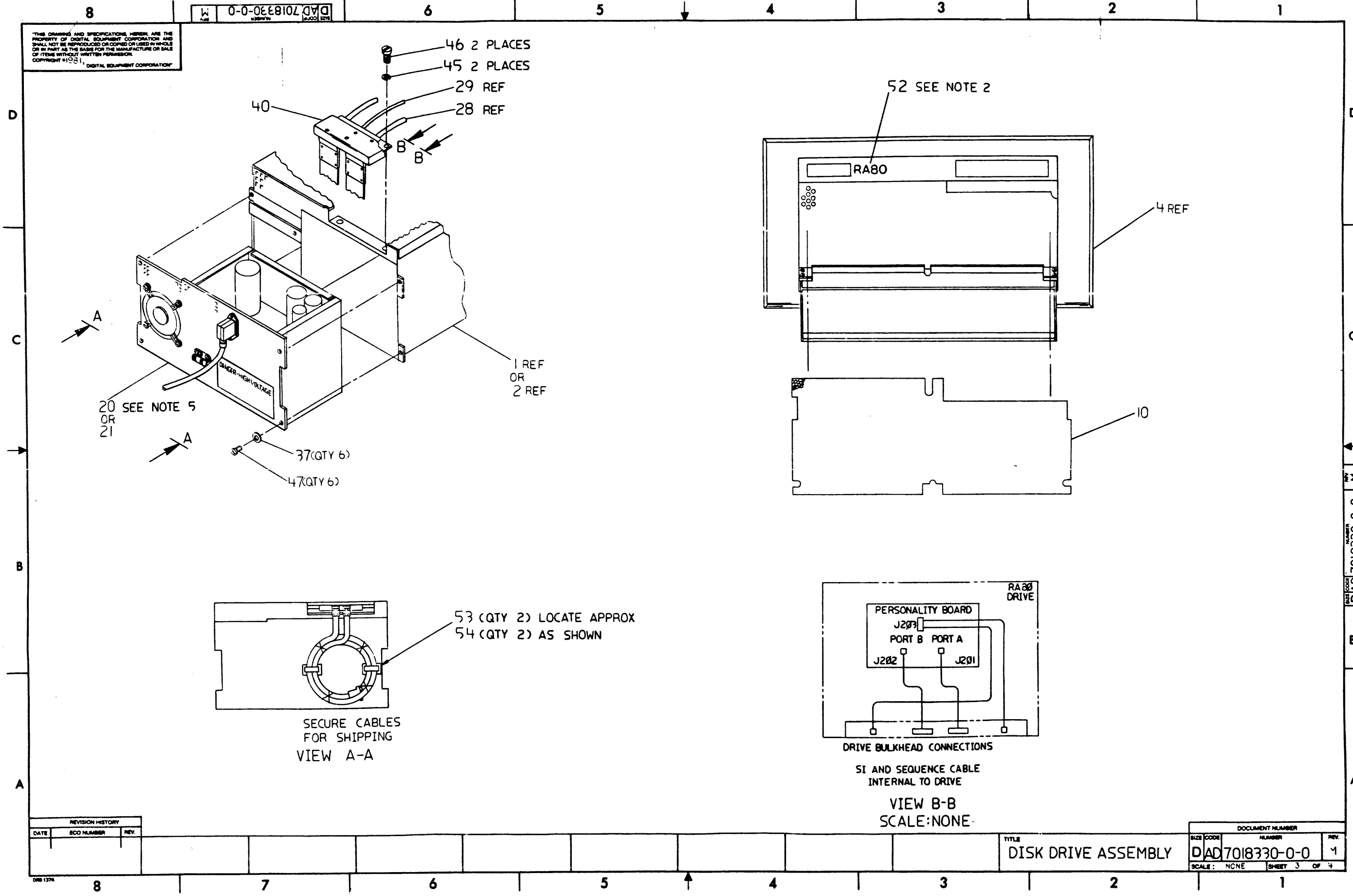
THIS DRAWING AND SPECIFICATIONS HEREIN ARE THE PROPERTY OF DIGITAL EQUIPMENT CORPORATION AND SHALL NOT BE REPRODUCED OR COPIED OR USED IN WHOLE OR IN PART AS THE BASIS FOR THE MANUFACTURE OR SALE OF ITEMS WITHOUT WRITTEN PERMISSION. COPYRIGHT © 1981. DIGITAL EQUIPMENT CORPORATION



REVISION HISTORY		
DATE	ECO NUMBER	REV.

TITLE		DOCUMENT NUMBER	
DISK DRIVE ASSEMBLY		DAD7018330-0-0	
SIZE	CODE	NUMBER	REV.
SCALE: NONE		SHEET 2 OF 4	M

THIS DRAWING AND SPECIFICATIONS HEREIN ARE THE PROPERTY OF DIGITAL EQUIPMENT CORPORATION AND SHALL NOT BE REPRODUCED OR COPIED OR USED IN WHOLE OR IN PART AS THE BASIS FOR THE MANUFACTURE OR SALE OF ITEMS WITHOUT WRITTEN PERMISSION. COPYRIGHT © 1971, DIGITAL EQUIPMENT CORPORATION



REVISION HISTORY		
DATE	ECO NUMBER	REV.

TITLE
DISK DRIVE ASSEMBLY

DOCUMENT NUMBER		
SIZE CODE	NUMBER	REV.
SCALE: NONE	DAD 7018330-0-0	1
SHEET 3 OF 4		

DAD 7018330-0-0

8

W. 0-0-0E8101 DAD
A22 3000 325

6

5

4

3

2

1

THE DRAWING AND SPECIFICATIONS HEREIN ARE THE PROPERTY OF DIGITAL EQUIPMENT CORPORATION AND SHALL NOT BE REPRODUCED OR COPIED OR USED IN WHOLE OR IN PART AS THE BASIS FOR THE MANUFACTURE OR SALE OF ITEMS WITHOUT WRITTEN PERMISSION. COPYRIGHT © 1981, DIGITAL EQUIPMENT CORPORATION

D

D

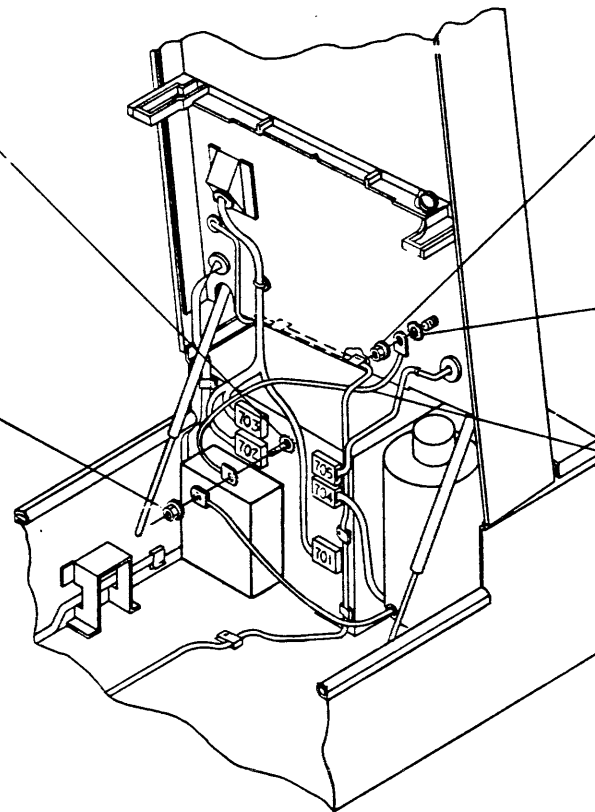
30
2 PLACES

31 REF

31
2 PLACES

30 REF

55



C

C

B

B

A

A

DAD 7018330-0-0
M

REVISION HISTORY		
DATE	ECO NUMBER	REV.

TITLE
DISK DRIVE ASSEMBLY

DOCUMENT NUMBER		REV.
SIZE CODE	NUMBER	
	DAD 7018330-0-0	M
SCALE	NONE	SHEET 4 OF 4

8

7

6

5

4

3

2

1

LINE ITEM	TOP DOCUMENT	PART NUMBER	MIN REV	DESCRIPTION	QTY	PER VARIATION
					00	01
1	1	D-AD-7018446-0-0	7018446-02	120V,60HZ,FCC COMPLIANT	1	-
2	2	D-AD-7018446-0-0	7018446-03	240V,50HZ,FCC COMPLIANT	-	1
3	3	C-AD-7016795-0-0	7016795-00	HDA-R/W MOD ASSY	1	1
4	4	E-AD-7017340-0-0	7017340-02	BEZEL	1	1
5	5	D-AD-7016976-0-0	7016976-00	SERVO BOARD AND STIFFENER ASSY.	1	1
6	6	E-UA-5415284-0-0	5415284-01	RA80 MICROPROCESSOR	1	1
7	7	D-AD-7018327-0-0	7018327-00	PERSONALITY BD. AND STIFFNER ASS	1	1
8	8	D-MD-7423898-0-0	7423898-00	SHIPPING BRACKET	1	1
9	9	D-MD-7423897-0-0	7423897-00	SHIPPING BRACKET	3	3
10	10	C-MD-7422816-0-0	7422816-00	FOAM FILTER	1	1
11	11	A-PS-3617880-0-0	3617880-03	E LABEL,FCC,CLASS A,PERIPHERAL	1	-
12	12	D-MD-7422701-0-0	7422701-00	*** THIS ITEM IS NOT USED ***	-	-
13	13	C-MD-7425147-0-0	7425147-02	*** THIS ITEM IS NOT USED ***	-	-
14	14	C-MD-7425160-0-0	7425160-02	*** THIS ITEM IS NOT USED ***	-	-
15	15	D-AD-7018324-0-0	7018324-00	OPERATOR CONTROL PANEL ASSEMBLY	1	1
16	16	C-IA-7016737-0-0	7016737-00	DATA 40 CABLE ASSY.	1	1
17	17	C-IA-7016737-0-0	7016737-01	R80 DATA 40 CABLE ASSY	1	1
18	18	C-IA-7016738-0-0	7016738-00	DATA 20 CABLE ASSY (DCL)	1	1
19	19	C-SS-7416197-0-0	7416197-02	DECAL-UL LISTED EDP	1	1
20	20	D-UA-H766-C-0	H7660-A	RA81 PS: 120V 60HZ IN, +5V 12A,-	1	-
21	21	D-UA-H766-C-0	H7660-B	H7660-A EXCEPT 220-240V 50HZ	-	1
22	22	C-IA-7016740-0-0	7016740-00	CONTROL PANEL CABLE ASSY	1	1
23	23		3613211-00	DECAL,CLEAR PREPRINTED CSA 1-1/4	1	-
24	24		3617674-00	LABEL,SERIAL/POWER W/O UL + CSA	2	2
25	25	D-MD-7425144-0-0	7425144-00	*** THIS ITEM IS NOT USED ***	-	-
26	26		7018340-02	I/O BULKHEAD DRIVE RA81/RA60	1	1
27	27		3700588-00	PKG DISK DRIVE R80	REF	REF
28	28	D-IA-7018487-0-0	7019689-6E	SI INTERNAL CABLE ASSY (6' 5")	2	2

REVISION HISTORY			BASIC PART NO: 7018330								
ENG	ECO NUMBER	REV	SECTION A OF A	DRN:	R. NICOLAISEN	DATE:	12 FEB 81	DIGITAL			
---	INITIAL	A	SECTION.VARIATION INDEX	CHK'D:	W. MAJOR	DATE:	15-SEP-81	TITLE PARTS LIST			
RJ	7018330-CX001	B	[A]00,01					DISK DRIVE ASSEMBLY			
GN	7018330-CX002	C		DES.ENG:	B. DUCHARME	DATE:	15-SEP-81	DOCUMENT NUMBER			
GN	7018330-CX003	D	[B]					SIZE	CODE	NUMBER	REV
JN	RA80-CX003	E		RESP.ENG.:	W. MATHRANI	DATE:	15-SEP-81	K	PL	7018330-0-DBP	M
GN	RA80-CX001	F	[C]					RELEASE DATE:			
JR	RA80-CX002	H		MFG.ENG.:	W. EHRMANN	DATE:	15-SEP-81				
JN	RA80-CX003	J	[D]	ASSEMBLY NUMBER:		TOP DOCUMENT NUMBER:		FILE NAME:	EDIT #		
JN	RA80-CX004	K		D-AD-7018330-0-0		D-UA-RA80-0-0		Z2156M.PLS	37		
JR	7018330-CX004	L	[E]								
JR	7018330-CX005	M	[F]								

Handwritten: RM 6 DEC 83

"THIS DRAWING AND THE SPECIFICATIONS CONTAINED HEREIN ARE CONFIDENTIAL AND PROPRIETARY. THEY ARE THE PROPERTY OF DIGITAL EQUIPMENT CORPORATION AND SHALL NOT BE REPRODUCED OR COPIED OR USED IN WHOLE OR IN PART AS THE BASIS FOR THE MANUFACTURE OR SALE OF ITEMS WITHOUT WRITTEN PERMISSION. THIS IS AN UNPUBLISHED WORK PROTECTED UNDER THE FEDERAL COPYRIGHT LAWS."

LINE	ITEM	TOP DOCUMENT	PART NUMBER	MIN REV	DESCRIPTION	QTY	PER	VARIATION
						00	01	
29	29	D-IA-7018328-0-0	7019691-1J		DRIVE SEQ CABLE ASSY 20"-(1'-8")	1	1	
30	30		9007651-00		WASHER,LOCK EXTERNAL STEEL	2	2	
31	31		9006565-00		NUT,HEX EXT TOOTH LCKWSHR 10-32	4	4	
32	32		9007983-00		WASHER,FLAT SST	4	4	
33	33		9008203-00		NUT,HEX EXT TOOTH LCKWSHR 1/4-20	4	4	
34	34		9007906-00		WASHER,HELICAL SPLIT STEEL	4	4	
35	35		9006664-00		WASHER,FLAT SST	4	4	
36	36		9006690-00		WASHER,HELICAL SPLIT SST	4	4	
37	37		9006666-00	CR	WASHER,FLAT SST	10	10	
38	38		9006231-09		SCREW,MACH HEX PLN 10-	4	4	
39	39		9007801-00	CR	*** THIS ITEM IS NOT USED ***	-	-	
40	40		7427189-01		BRACKET,DRIVE BULKHEAD	1	1	
41	41		9006352-08		SCREW,CAP SOC HEX 10-	1	1	
42	42		9006668-00		*** THIS ITEM IS NOT USED ***	-	-	
43	43	SEE NOTE 4 ON DWG	3618940-01		LABEL,SW. MARKER	1	1	
44	44		BC26V-12		SI CABLE,12FT,4 COAX SHIELDED	1	1	
45	45		9006632-00	CR	WASHER,LOCK INTERNAL STEEL	2	2	
46	46		9006011-01	CR	SCREW,MACH PAN PHIL 4-	2	2	
47	47		9009682-01	CR	SCREW,MACH HEXWW SLOT 8-	6	6	
48	48		1221368-05	A	SCREW,SEMS PAN PHIL 6-	2	2	
49	49		9006036-01		*** THIS ITEM IS NOT USED ***	-	-	
50	50		9006037-01	CR	SCREW,MACH PAN PHIL 8-	4	4	
51	51		9010266-00		TIE,CABLE 7.312L	2	2	
52	52		3617314-00		LABEL,RUB-ON,RA80	1	1	
53	53		9008264-00		MOUNT, CABLE TIE, ADHESIVE BACKE	2	2	
54	54		9007032-00		TIE,CABLE BUNDL.DIA 0-1-3/4"=101	6	6	
55	55		1213756-09		GROUND STRAP,9"LG	1	1	
56	56		1213756-03		*** THIS ITEM IS NOT USED ***	-	-	
57	57		9009636-00		CLAMP,CABLE ADH MNT	1	1	
58	58		9006688-00		*** THIS ITEM IS NOT USED ***	-	-	
59	59		9006655-00		*** THIS ITEM IS NOT USED ***	-	-	

NOTE	DESCRIPTION	PART NO	VARIATION
60	NOTE:	-	LEGEND
61	NOTE:	-	PART NO VARIATION
62	NOTE:	-	7018330-00 60HZ, 120V
63	NOTE:	-	7018330-01 50HZ, 240V

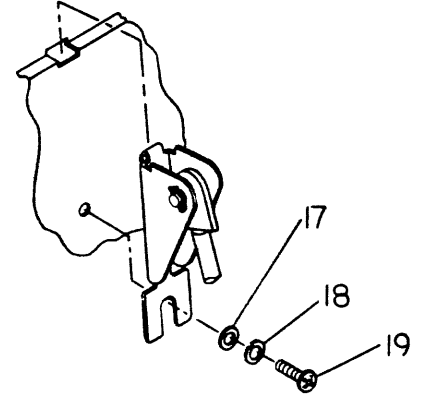
! D I G I T A L !	! TITLE !	! SECTION A OF A !	! SIZE !	! CODE !	! DOCUMENT NUMBER !	! REV !
	DISK DRIVE ASSEMBLY		K	PL	7018330-0-DBP	M

DAD 7018446-0-0 P

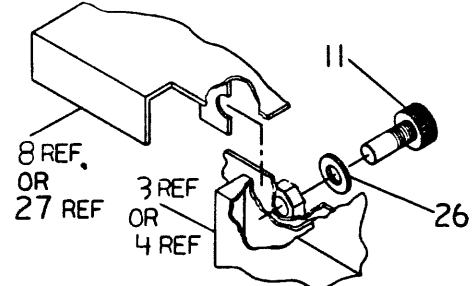
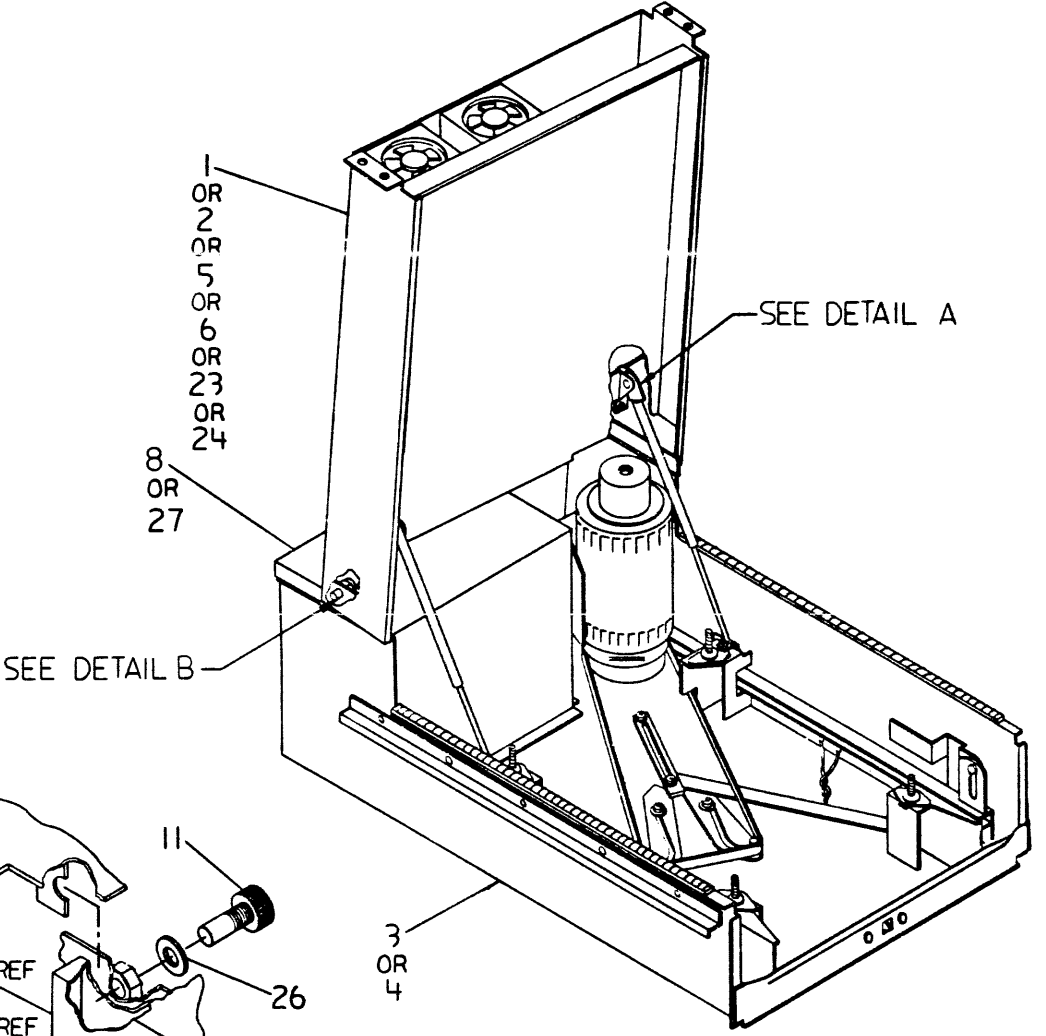
THIS DRAWING AND SPECIFICATIONS HEREBY ARE THE PROPERTY OF DIGITAL EQUIPMENT CORPORATION AND SHALL NOT BE REPRODUCED OR COPIED IN WHOLE OR IN PART AS THE BASIS FOR THE MANUFACTURE OR SALE OF ITEMS WITHOUT WRITTEN PERMISSION. COPYRIGHT © 1980, DIGITAL EQUIPMENT CORPORATION.

LEGEND		
PART NO.	VARIATION	WHERE USED
7018446-00	120V, 60HZ NON FCC	RM 80
7018446-01	240V, 50HZ NON FCC	RM 80
7018446-02	120V, 60HZ FCC COMP	RA 80
7018446-03	240V, 50HZ FCC COMP	RA 80
7018446-04	120V, 60HZ FCC COMP	RA 81
7018446-05	240V, 50HZ FCC COMP	RA 81

LEGEND CONT.		
PART NO.	VARIATION	WHERE USED
7018446-06	120V, 60HZ FCC COMP	R80 AE/AJ
7018446-07	240V, 50HZ FCC COMP	R80 AE/AJ



DETAIL A
2 PLACES
SCALE: NONE



DETAIL B
2 PLACES
SCALE: NONE

CAUTION: OFF-SHEET PARTS LIST EXISTS.
SEE K-PL-7018446-0-DBP(Z2177).

REV.	A	B	C	D	E	F	H	J	K	L	M	N	P
DATE	1305A												
DESCRIPTION	RELEASED TO PER E.C.O. NO. R80-CX000	7018446-CX001 DB, 21 MAY 81 J. NORDBERG	R80-CX009 T.F. 25 NOV 81 M. ANDREWS	R80-CX019 L.R.M. 14 APR 82 J. NORDBERG	R80-CX012 C.H. 9 AUG 82 G. FRENCHMAN	7018446-CX003 M.N. 7-OCT-82 G. FRENCHMAN	7018446-CX014 T.F. 27 OCT 82 J. NORDBERG	7018446-CX002 A.P. 30 DEC 82 G. NORDBERG	7018446-CX003 R80-CX003 J. NORDBERG	7018446-CX003 R80-CX003 J. NORDBERG	7018446-CX006 F.U. 10 AUG 83 J. NORDBERG	7018446-CX004 F.U. 15 NOV 83 J. NORDBERG	

DESCRIPTION	DRAWING NO.	PART NO.	ITEM NO.
UNLESS OTHERWISE SPECIFIED DIMENSIONS ARE IN INCHES AND THE FOLLOWING TOLERANCES APPLY (PER DEC STD 114)			
INCHES TOLERANCES	ANGLES ± 0°30'	DIMENSION RANGE IN INCHES	
X ± 0.1	SURFACE QUALITY	OVER 0 TO 0.2	OVER 0.2 TO 0.5
XX ± 0.02		OVER 0.5 TO 1.2	OVER 1.2 TO 4.8
XXX ± 0.008	MICROINCHES	OVER 4.8 TO 12.0	OVER 12.0 TO 48.0
QUANTITY & VARIATION		OVER 48.0 TO 86.0	OVER 86.0 TO 100.0
THIRD ANGLE PROJECTION	DATE: 10 OCT 80	TITLE: BASIC DISK DRIVE ASSEMBLY	
DO NOT SCALE DRAWING	DATE: 3 APR 81	DOCUMENT NUMBER: DAD 7018446-0-0 P	
REMOVE BURRS AND BREAK SHARP CORNERS	DATE: 2 APR 81	SCALE: 1 OF 2	
MATERIAL: SEE PARTS LIST	DATE: 7 NOV 81		
FINISH: —	DATE: 7 NOV 81		

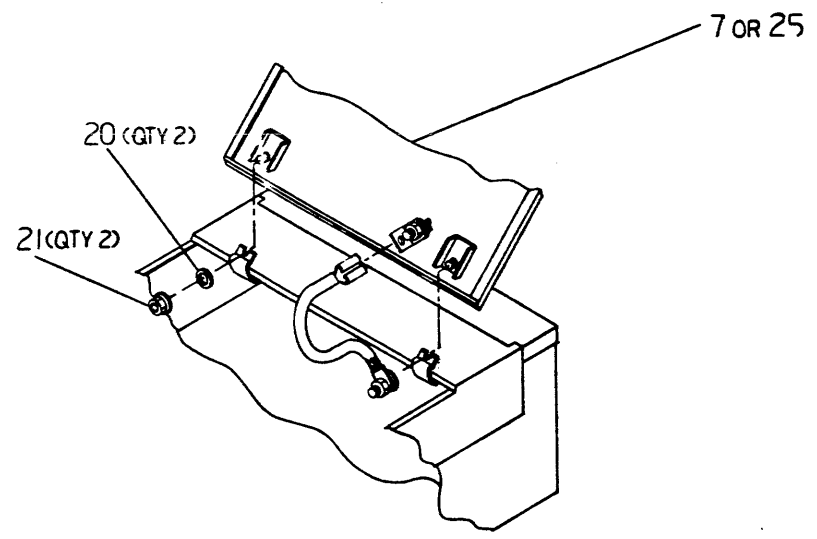
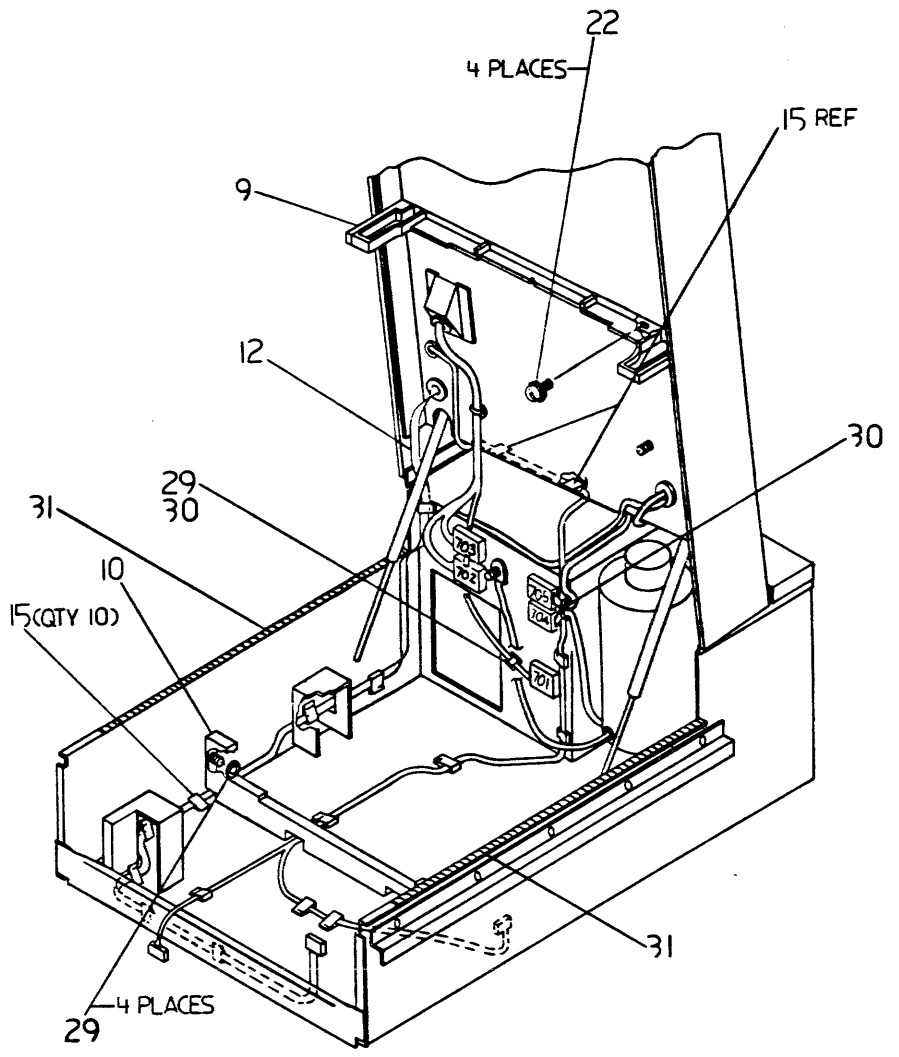
DAD 7018446-0-0 P

THIS DRAWING AND SPECIFICATIONS HEREIN ARE THE PROPERTY OF DIGITAL EQUIPMENT CORPORATION AND SHALL NOT BE REPRODUCED OR COPIED OR USED IN WHOLE OR IN PART AS THE BASIS FOR THE MANUFACTURE OR SALE OF ITEMS WITHOUT WRITTEN PERMISSION. COPYRIGHT 1990, DIGITAL EQUIPMENT CORPORATION.

Doc No. 7018446-0-0

D
C
B
A

D
C
B
A



VIEW SHOWING ASSEMBLY OF LOGIC ACCESS COVER ASSEMBLY (ITEM 7 OR 25)

REVISION HISTORY		
DATE	ECO NUMBER	REV.

TITLE BASIC DISK DRIVE ASSEMBLY

DOCUMENT NUMBER		
SIZE	CODE	NUMBER
D	AD	7018446-0-0
SCALE:	SHEET	2 OF 2

Doc No. 7018446-0-0

LINE	ITEM	TOP DOCUMENT	PART NUMBER	MIN REV	DESCRIPTION	QTY PER VARIATION							
						00	01	02	03	04	05	06	07
										A1	A1	A1	A1
1	1	D-AD-7016773-0-0	7016773-00		LOGIC CHASSIS ASSY (120V)	1	-	-	-	-	-	-	-
2	2	D-AD-7016773-0-0	7016773-01		LOGIC CHASSIS ASSY (240V)	-	1	-	-	-	-	-	-
3	3	D-AD-7016741-0-0	7016741-00		LOWER CHASSIS ASSY (60HZ, 120V)	1	-	1	-	1	-	1	-
4	4	D-AD-7016741-0-0	7016741-01		LOWER CHASSIS ASSY (50HZ, 240V)	-	1	-	1	-	1	-	1
5	5	D-AD-7016773-0-0	7016773-04		60HZ, RA81	-	-	-	-	1	-	-	-
6	6	D-AD-7016773-0-0	7016773-05		50HZ, RA81	-	-	-	-	-	1	-	-
7	7	D-AD-7016990-0-0	7016990-00		LOGIC ACCESS COVER ASSEMBLY	1	1	-	-	-	-	-	-
8	8	D-AD-7016782-0-0	7016782-00		REAR COVER ASSEMBLY	1	1	-	-	-	-	-	-
9	9	D-IA-7017616-0-0	7017616-00		BAFFLE ASSY, TOP	1	1	1	1	1	1	1	1
10	10	D-IA-7017615-0-0	7017615-00		BAFFLE ASSY, BOTTOM	1	1	1	1	1	1	1	1
11	11	B-MD-7422822-0-0	7422822-00		SCREW, PIVOT	2	2	2	2	2	2	2	2
12	12	B-IA-7016735-0-0	7016735-00		SERVO PRE-AMP CABLE ASSY.	1	1	1	1	1	1	1	1
13	13		1213756-09		*** THIS ITEM IS NOT USED ***	-	-	-	-	-	-	-	-
14	14		1213756-03		*** THIS ITEM IS NOT USED ***	-	-	-	-	-	-	-	-
15	15		9009636-00		CLAMP,CABLE ADH MNT	10	10	10	10	10	10	10	10
16	16		9006565-00		*** THIS ITEM IS NOT USED ***	-	-	-	-	-	-	-	-
17	17		9006664-00		WASHER,FLAT SST	2	2	2	2	2	2	2	2
18	18		9006690-00		WASHER,HELICAL SPLIT SST	2	2	2	2	2	2	2	2
19	19		9006036-01		SCREW,MACH PAN PHIL 8-	2	2	2	2	2	2	2	2
20	20		9006659-00		WASHER,FLAT S/PAS	6	6	6	6	6	6	6	6
21	21		9006560-00		NUT,HEX EXT TOOTH LCKWSHR 6-32	6	6	6	6	6	6	6	6
22	22		1221368-05	A	SCREW,SEMS PAN PHIL 6-	4	4	4	4	4	4	4	4
23	23	D-AD-7016773-0-0	7016773-02		LOGIC CHASSIS ASSY (60HZ,120V)	-	-	1	-	-	-	1	-
24	24	D-AD-7016773-0-0	7016773-03		LOGIC CHASSIS ASSY (50HZ,240V)	-	-	-	1	-	-	-	1
25	25	D-AD-7019695-0-0	7019695-01		*** THIS ITEM IS NOT USED ***	-	-	-	-	-	-	-	-
26	26		9006710-00		WASHER,FLAT NYLON	2	2	2	2	2	2	2	2
27	27	D-AD-7019687-0-0	7019687-01		REAR COVER ASSY	-	-	1	1	1	1	1	1
28	28	D-AD-7019695-0-0	7019695-02		LOGIC COVER ASSEMBLY (THIN)	-	-	1	1	1	1	1	1

REVISION HISTORY			BASIC PART NO: 7018446			DRN: R. NICOLAISEN			DATE: 13-MAR-81			DIGITAL		
ENG	ECO NUMBER	REV	SECTION A OF A			CHK'D: D. MILLER			DATE: 8-APR-81			TITLE PARTS LIST		
JN	R80-CX008	A	SECTION.VARIATION INDEX			DES.ENG: G. NORDBERG			DATE: 8-APR-81			DOCUMENT NUMBER		
JN	7018446-CX001	B	[A]00,01,02,03,04,05,			RESP.ENG.: G. NORDBERG			DATE: 8-APR-81			K PL 7018446-0-DBP P		
MA	R80-CX009	C	06,07			MFG.ENG.: W. BASSETT			DATE: 8-APR-81			RELEASE DATE:		
JN	R80-CX010	D	[B]			ASSEMBLY NUMBER:			TOP DOCUMENT NUMBER:			FILE NAME:		
JN	R80-CX012	E	[C]			D-AD-7018446-0-0			#B-DD-7018446-0			Z2177P.PLS		
GF	7018446-CX03A	F	[D]									EDIT #:		
TF	7018446-CX004	H	[E]									17		
GN	7019062-CX002	J	[F]											
JR	R80-CX14A	K												
JN	RA80-CX003	L												
JR	7018446-CX006	M												
JR	RM80-CX009	N												
JR	7019062-CX004	P												

John D. Miller 2 Dec 1983

"THIS DRAWING AND THE SPECIFICATIONS CONTAINED HEREIN ARE CONFIDENTIAL AND PROPRIETARY. THEY ARE THE PROPERTY OF DIGITAL EQUIPMENT CORPORATION AND SHALL NOT BE REPRODUCED OR COPIED OR USED IN WHOLE OR IN PART AS THE BASIS FOR THE MANUFACTURE OR SALE OF ITEMS WITHOUT WRITTEN PERMISSION. THIS IS AN UNPUBLISHED WORK PROTECTED UNDER THE FEDERAL COPYRIGHT LAWS."

LINE ITEM	TOP DOCUMENT	PART NUMBER	MIN REV	DESCRIPTION	QTY PER VARIATION							
					00	01	02	03	04 A1	05 A1	06 A1	07 A1
29	29	9008264-00	A	MOUNT, CABLE TIE, ADHESIVE BACKE	1	1	1	1	1	1	1	1
30	30	9007032-00	D	TIE,CABLE BUNDL.DIA 0-1-3/4"=101	2	2	2	2	2	2	2	2
31	31	1220952-01	A	SHIELD,EMI/RFI STRIPS COPPER	2	2	2	2	2	2	2	2

- 32 NOTE: -
- 33 NOTE: - PART NUMBER
- 34 NOTE: - 7018446-00
- 35 NOTE: - 7018446-01
- 36 NOTE: - 7018446-02
- 37 NOTE: - 7018446-03
- 38 NOTE: - 7018446-04
- 39 NOTE: - 7018446-05
- 40 NOTE: - 7018446-06
- 41 NOTE: - 7018446-07

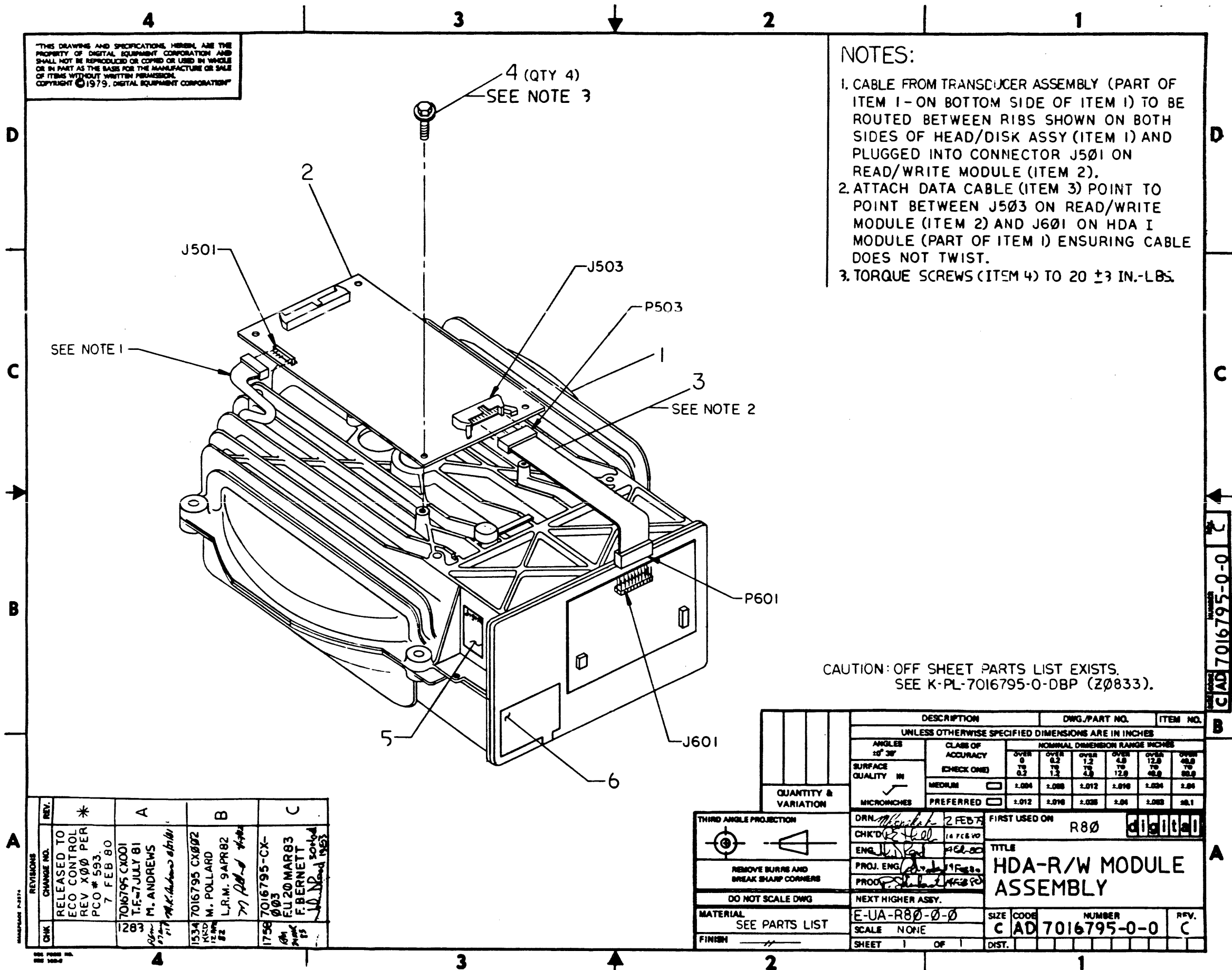
- LEGEND-
- | VARIATION |
|---|
| DISK DRIVE, BASIC, 120V, 60HZ NOT FCC COMPLIANT |
| DISK DRIVE, BASIC, 240V, 50HZ NOT FCC COMPLIANT |
| DISK DRIVE, BASIC, 120V, 60HZ, FCC COMPLIANT |
| DISK DRIVE, BASIC, 240V, 50HZ, FCC COMPLIANT |
| DISK DRIVE, BASIC, 120V, 60HZ, RA81 FCC COMPLIANT |
| DISK DRIVE, BASIC, 240V, 50HZ, RA81 FCC COMPLIANT |
| DISK DRIVE, BASIC, 120V, 60HZ, RA80-AE-AJ FCC COMPLIANT |
| DISK DRIVE, BASIC, 240V, 50HZ, RA80-AE-AJ FCC COMPLIANT |

! D I G I T A L !	! TITLE	! SECTION A OF A !	! SIZE !	! CODE !	! DOCUMENT NUMBER !	! REV !
	BASIC DISK DRIVE ASSEMBLY		K	PL	7018446-0-DBP	P

THIS DRAWING AND SPECIFICATIONS HEREIN ARE THE PROPERTY OF DIGITAL EQUIPMENT CORPORATION AND SHALL NOT BE REPRODUCED OR COPIED OR USED IN WHOLE OR IN PART AS THE BASIS FOR THE MANUFACTURE OR SALE OF ITEMS WITHOUT WRITTEN PERMISSION. COPYRIGHT © 1979, DIGITAL EQUIPMENT CORPORATION

NOTES:

1. CABLE FROM TRANSDUCER ASSEMBLY (PART OF ITEM 1 - ON BOTTOM SIDE OF ITEM 1) TO BE ROUTED BETWEEN RIBS SHOWN ON BOTH SIDES OF HEAD/DISK ASSY (ITEM 1) AND PLUGGED INTO CONNECTOR J501 ON READ/WRITE MODULE (ITEM 2).
2. ATTACH DATA CABLE (ITEM 3) POINT TO POINT BETWEEN J503 ON READ/WRITE MODULE (ITEM 2) AND J601 ON HDA I MODULE (PART OF ITEM 1) ENSURING CABLE DOES NOT TWIST.
3. TORQUE SCREWS (ITEM 4) TO 20 ±3 IN.-LBS.



CAUTION: OFF SHEET PARTS LIST EXISTS. SEE K-PL-7016795-0-DBP (ZØ833).

REV.	CHG. NO.	DESCRIPTION	DATE	BY
*		RELEASED TO ECO CONTROL		
		REV XØØ PER PCO # 593		
		7 FEB 80		
A	1203	7016795 CXØØ1		
		T.F. 7 JULY 81		
		M. ANDREWS		
		<i>M.A. Andrews</i>		
B	1534	7016795 CXØØ2		
		M. POLLARD		
		L.R.M. 9 APR 82		
		<i>M. Pollard</i>		
C	1756	7016795-CX-ØØ3		
		EU20 MAR 83		
		F. BERNETT		
		<i>F. Bennett</i>		
		<i>J.D. Noland</i>		
		<i>10 Noland 1983</i>		

QUANTITY & VARIATION	DESCRIPTION	DWG./PART NO.	ITEM NO.
	UNLESS OTHERWISE SPECIFIED DIMENSIONS ARE IN INCHES		
ANGLE ±Ø° 30'	CLASS OF ACCURACY (CHECK ONE)	NOMINAL DIMENSION RANGE INCHES	
SURFACE QUALITY IN	MEDIUM <input type="checkbox"/>	OVER 0 TO 0.2	OVER 0.2 TO 0.3
✓ MICRONS	PREFERRED <input type="checkbox"/>	OVER 0.3 TO 0.5	OVER 0.5 TO 0.9
		OVER 0.9 TO 1.2	OVER 1.2 TO 49.9
		OVER 1.2 TO 1.5	OVER 1.5 TO 49.9
		OVER 1.5 TO 4.9	OVER 4.9 TO 49.9
		OVER 4.9 TO 12.9	OVER 12.9 TO 49.9
		OVER 12.9 TO 49.9	OVER 49.9 TO 99.9
		OVER 49.9 TO 99.9	OVER 99.9 TO 999.9
THIRD ANGLE PROJECTION	DRN <i>M. Andrews</i> 2 FEB 79	FIRST USED ON	R8Ø digital
REMOVE BURRS AND BREAK SHARP CORNERS	CHK'D <i>W. L. G.</i> 14 FEB 80	TITLE	
DO NOT SCALE DWG	PROJ. ENG. <i>W. L. G.</i> 19 FEB 80	HDA-R/W MODULE ASSEMBLY	
MATERIAL SEE PARTS LIST	NEXT HIGHER ASSY.	SIZE CODE	NUMBER
FINISH	E-UA-R8Ø-Ø-Ø	C AD	7016795-0-0
	SCALE NONE	DIST.	
	SHEET 1 OF 1		

DRAWING NO. 7016795-0-0

LINE ITEM	TOP DOCUMENT	PART NUMBER	MIN REV	DESCRIPTION	QTY PER VARIATION
1	E-AD-7016225-0-0	7016225-00		HEAD/DISK ASSEMBLY	1
2	D-UA-5413596-0-0	5413596-00		READ/WRITE	1
3	C-IA-7016738-0-0	7016738-01		R80 DATA 20 CABLE ASSY	1
4		9010075-00		SCREW,TAP HEXWW THD RL 8-	4
5		3618566-01		LABEL,DATA	1
6		3618565-01		LABEL,ATTENTION	1

REVISION HISTORY			BASIC PART NO: 7016795		DRN:	M. KONSHAK	DATE: 07-SEP-79	D I G I T A L			
ENG	ECO NUMBER	REV	SECTION A OF A		CHK'D:	R. E. THELLEN	DATE: 13-FEB-80	TITLE PARTS LIST			
	INITIAL	*	SECTION.VARIATION INDEX		DES.ENG:	J. READ <td>DATE: 13-FEB-80 <td colspan="3">HDA-R/W MODULE ASSEMBLY</td> </td>	DATE: 13-FEB-80 <td colspan="3">HDA-R/W MODULE ASSEMBLY</td>	HDA-R/W MODULE ASSEMBLY			
MA	7016795-CX001	A	[A]00					DOCUMENT NUMBER			
MP	7016795-CX002	B						SIZE	CODE	NUMBER	REV
FB	7016795-CX003	C	[B]		RESP.ENG.:	P. SVENDSEN <td>DATE: 13-FEB-80 <td>K</td> <td>PL</td> <td>7016795-0-DBP</td> <td>C</td> </td>	DATE: 13-FEB-80 <td>K</td> <td>PL</td> <td>7016795-0-DBP</td> <td>C</td>	K	PL	7016795-0-DBP	C
			[C]		MFG.ENG.:	P. SHINKEVICH <td>DATE: 13-FEB-80 <td colspan="3">RELEASE DATE:</td> </td>	DATE: 13-FEB-80 <td colspan="3">RELEASE DATE:</td>	RELEASE DATE:			
			[D]		ASSEMBLY NUMBER:		TOP DOCUMENT NUMBER:	FILE NAME:	EDIT #		
			[E]		C-AD-7016795-0-0		# B-DD-R80-0	Z0833C.PLS	15		
			[F]								

Handwritten notes: *John Read 3/21/80*

"THIS DRAWING AND THE SPECIFICATIONS CONTAINED HEREIN ARE CONFIDENTIAL AND PROPRIETARY. THEY ARE THE PROPERTY OF DIGITAL EQUIPMENT CORPORATION AND SHALL NOT BE REPRODUCED OR COPIED OR USED IN WHOLE OR IN PART AS THE BASIS FOR THE MANUFACTURE OR SALE OF ITEMS WITHOUT WRITTEN PERMISSION. THIS IS AN UNPUBLISHED WORK PROTECTED UNDER THE FEDERAL COPYRIGHT LAWS."

THE DRAWING AND SPECIFICATIONS HEREIN ARE THE PROPERTY OF DIGITAL EQUIPMENT CORPORATION AND SHALL NOT BE REPRODUCED OR COPIED OR USED IN WHOLE OR IN PART AS THE BASIS FOR THE MANUFACTURE OR SALE OF ITEMS WITHOUT WRITTEN PERMISSION.
COPYRIGHT © 1975, DIGITAL EQUIPMENT CORPORATION

SPECIFICATIONS:

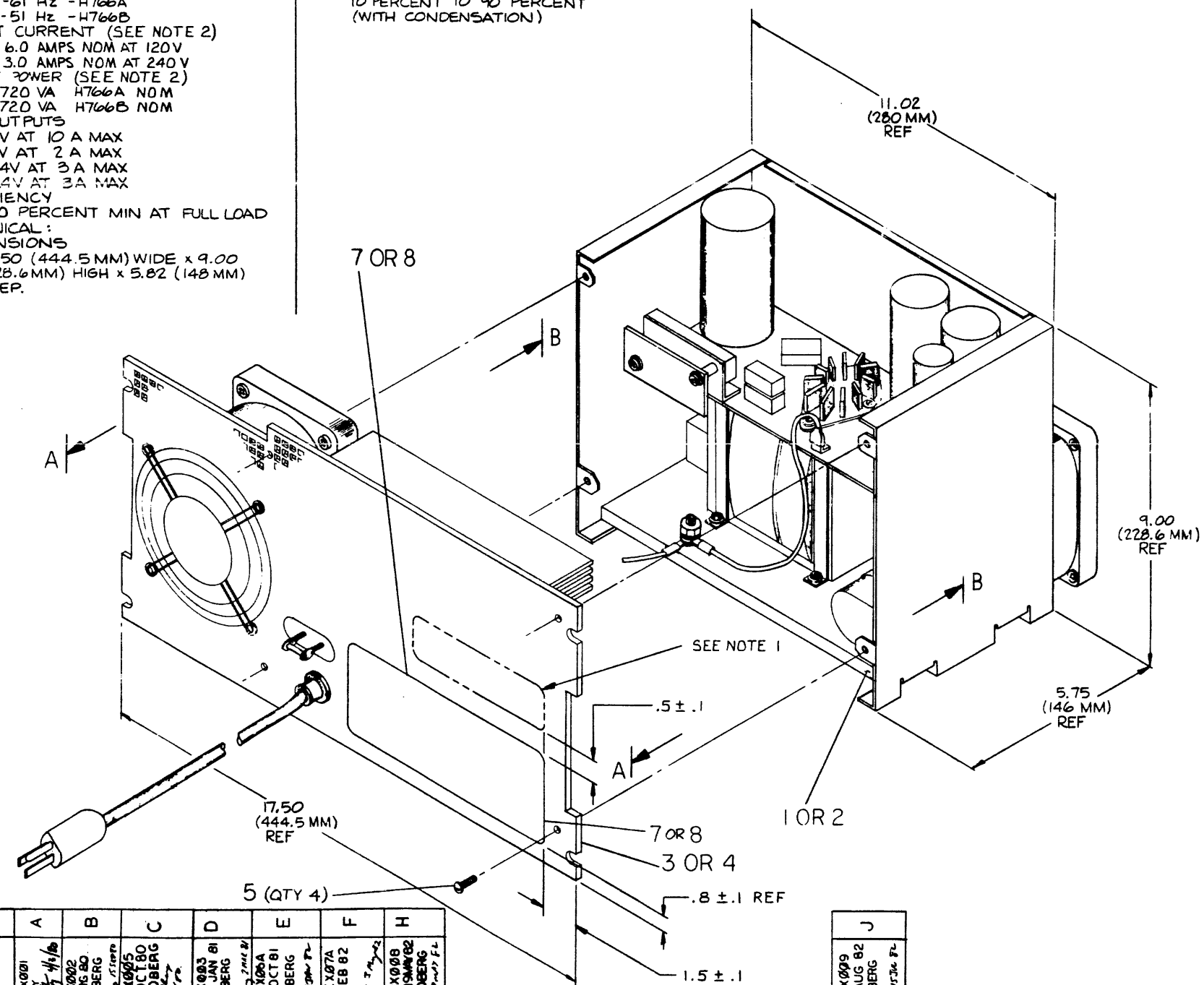
- ELECTRICAL:**
- INPUT VOLTAGE (SINGLE PHASE, 2 WIRE)
 - 90-120 Vrms - H766A
 - 180-250 Vrms - H766B
 - INPUT FREQUENCY
 - 59-61 Hz - H766A
 - 49-51 Hz - H766B
 - INPUT CURRENT (SEE NOTE 2)
 - 6.0 AMPS NOM AT 120V
 - 3.0 AMPS NOM AT 240V
 - INPUT POWER (SEE NOTE 2)
 - 720 VA H766A NOM
 - 720 VA H766B NOM
 - DC OUTPUTS
 - +5V AT 10 A MAX
 - 5V AT 2 A MAX
 - +24V AT 3 A MAX
 - 24V AT 3 A MAX
 - EFFICIENCY
 - 40 PERCENT MIN AT FULL LOAD
- MECHANICAL:**
- DIMENSIONS
 - 17.50 (444.5 MM) WIDE x 9.00 (228.6 MM) HIGH x 5.82 (148 MM) DEEP.

- WEIGHT**
32 POUNDS (14.52 KG)
- COOLING
 - FORCED AIR, 115 CFM FAN
 - AMBIENT TEMPERATURE
 - OPERATING -0°C -60°C
 - STORAGE - -40°C - +70°C
 - ALTITUDE
 - 10,000 FEET (3048 METERS) MAX
 - RELATIVE HUMIDITY
 - 10 PERCENT TO 90 PERCENT (WITH CONDENSATION)

LEGEND	
PART NO.	VARIATION
H766-A	120V 60HZ
H766-B	240V 50HZ

NOTES:

- STAMP IN INDELIBLE INK WHERE SHOWN WITH DIGITAL PART NO., APPROPRIATE DASH NO., ASSEMBLY REV AND MANUFACTURING LOCATION.
- CURRENT AND POWER RATINGS ARE NOMINAL AND REFLECT 1/3 HP DRIVE MOTOR RUNNING AT 3400 RPM.
- ~~ATTACH GROUNDS (GREEN/YELLOW WIRES) FROM CAPACITOR BOARD AND FROM REAR PANEL USING SCREW (ITEM 5) AND LOCK WASHER (ITEM 9) AS SHOWN.~~



CAUTION: OFF SHEET PARTS LIST EXISTS. SEE K-PL-H766-0-DBP (20501).

REV.	DATE	BY	CHKD.	DESCRIPTION
1	18 JAN 80	M. KIETY		RELEASED TO ECO CONTROL PER PCO-569
2	27 AUG 80	G. NORDBERG		REVISED TO 4/1/80
3	3 OCT 80	G. NORDBERG		REVISED TO 11/27/80
4	29 JAN 81	J. NORDBERG		REVISED TO 1/29/81
5	14 OCT 81	J. NORDBERG		REVISED TO 10/14/81
6	2 FEB 82	B. RAY		REVISED TO 2/2/82
7	15 MAR 82	J. NORDBERG		REVISED TO 3/15/82

REV.	DATE	BY	CHKD.	DESCRIPTION
1	18 AUG 82	J. NORDBERG		REVISED TO 8/18/82

QUANTITY & VARIATION		DESCRIPTION	DWG. PART NO.	ITEM NO.
UNLESS OTHERWISE SPECIFIED DIMENSIONS ARE IN INCHES				
ANGLES 30° 30'	CLASS OF ACCURACY	NOMINAL DIMENSION RANGE INCHES		
SURFACE QUALITY IN	(CHECK ONE)	OVER 0 TO 0.2	OVER 0.2 TO 0.5	OVER 0.5 TO 1.0
MEDIUM	<input type="checkbox"/>	1.004	1.008	1.012
PREFERRED	<input type="checkbox"/>	1.012	1.018	1.024
THIRD ANGLE PROJECTION		DRN. M. Engle	(APR 79)	FIRST USED ON
REMOVE BURRS AND BREAK SHARP CORNERS		CHKD. M. Engle	(APR 79)	TITLE H766 POWER SUPPLY ASSEMBLY
DO NOT SCALE DWG		ENG. J. Nordberg	(AUG 82)	
MATERIAL SEE OFF SHEET PARTS LIST		PROD. J. Nordberg	(AUG 82)	SIZE CODE D UA
FINISH		NEXT HIGHER ASSY.		NUMBER H766-0-0
SCALE NONE		REV. J		
SHEET 2 OF 2		DST.		

H766-0-0 J

8

0-0-997H DUA

6

5

4

3

2

1

THIS DRAWING AND SPECIFICATIONS HEREIN ARE THE PROPERTY OF DIGITAL EQUIPMENT CORPORATION AND SHALL NOT BE REPRODUCED OR COPIED OR USED IN WHOLE OR IN PART AS THE BASIS FOR THE MANUFACTURE OR SALE OF ITEMS WITHOUT WRITTEN PERMISSION. COPYRIGHT © 1979 DIGITAL EQUIPMENT CORPORATION

D

C

B

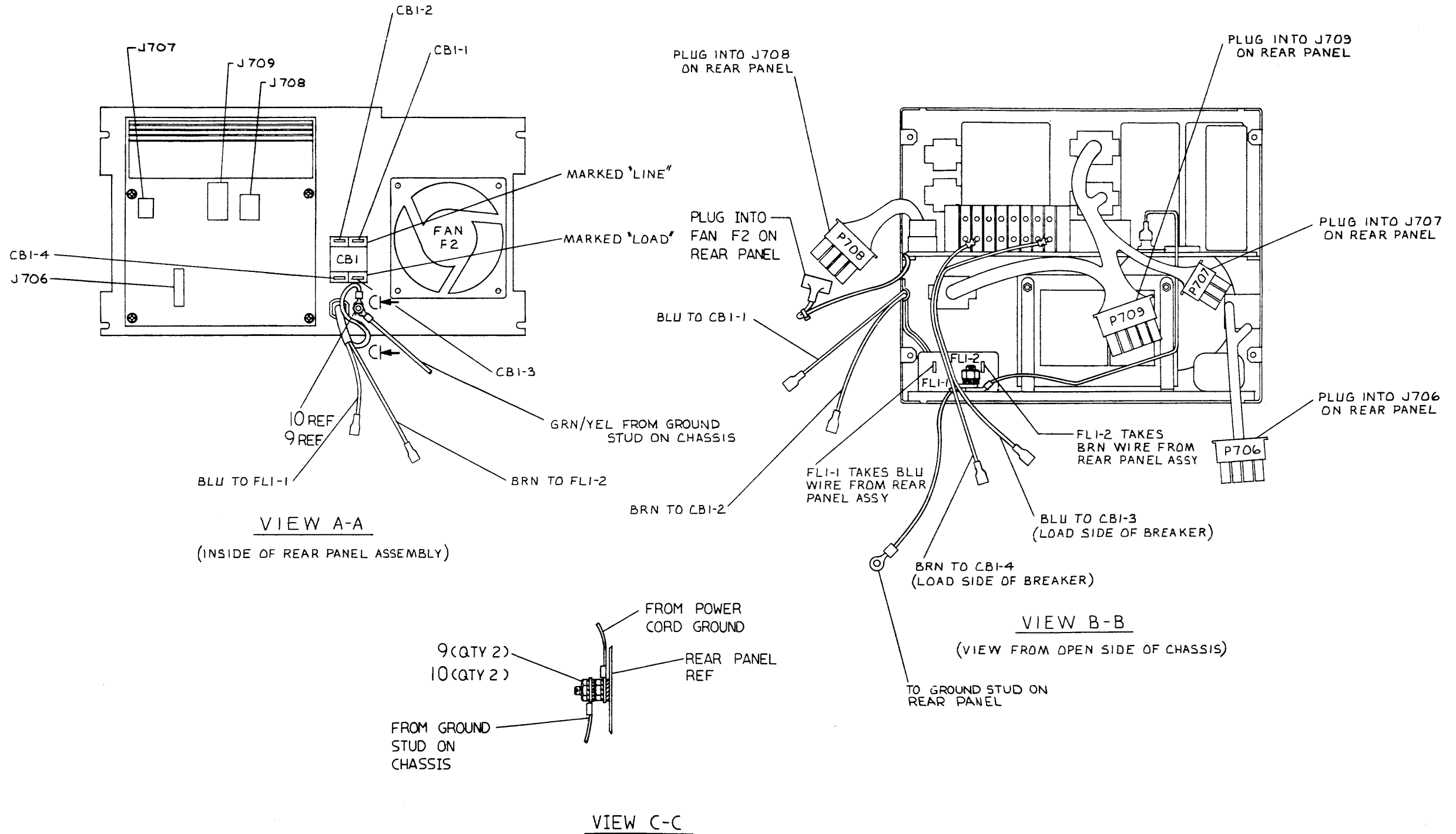
A

D

C

B

A



VIEW A-A
(INSIDE OF REAR PANEL ASSEMBLY)

VIEW B-B
(VIEW FROM OPEN SIDE OF CHASSIS)

VIEW C-C

DUA H766-0-0 J

REVISION HISTORY		
DATE	ECO NUMBER	REV.

TITLE H766 POWER SUPPLY ASSEMBLY

DOCUMENT NUMBER		
SIZE CODE	NUMBER	REV.
DUA	H766-0-0	J
SCALE NONE		SHEET 2 OF 2

8

7

6

5

4

3

2

1

LINE ITEM	DOCUMENT NUMBER	PART NUMBER	DESCRIPTION	QUANTITY PER VARIATION	
				A	B
1	1	E-AD-7016794-0-0	7016794-00	POWER SUPPLY CHASSIS ASSEMBLY	1 -
2	2	E-AD-7016794-0-0	7016794-01	H766 CHASSIS ASSY.(240V/50HZ)	- 1
3	3	E-AD-7016227-0-0	7016227-00	REAR PANEL ASSY	1 -
4	4	E-AD-7016227-0-0	7016227-01	REAR PANEL ASSY.	- 1
5	5		9006418-01	SCREW,TAP PAN PHIL THD RL 8-	4 4
6	6		9009255-01	*** THIS ITEM IS NOT USED ***	- -
7	7		3617323-00	LABEL,H766A P.S. 60HZ	1 -
8	8		3617323-01	LABEL,H766B P.S. 50HZ	- 1
9	9		9006565-00	NUT,HEX EXT TOOTH LCKWSHR 10-32	2 2
10	10		9007651-00	WASHER,LOCK EXTERNAL STEEL	2 2
11	11	D-CS-H766-0-2		H766 POWER SUPPLY	REF REF

12 NOTE: -
 13 NOTE: -
 14 NOTE: -
 15 NOTE: -

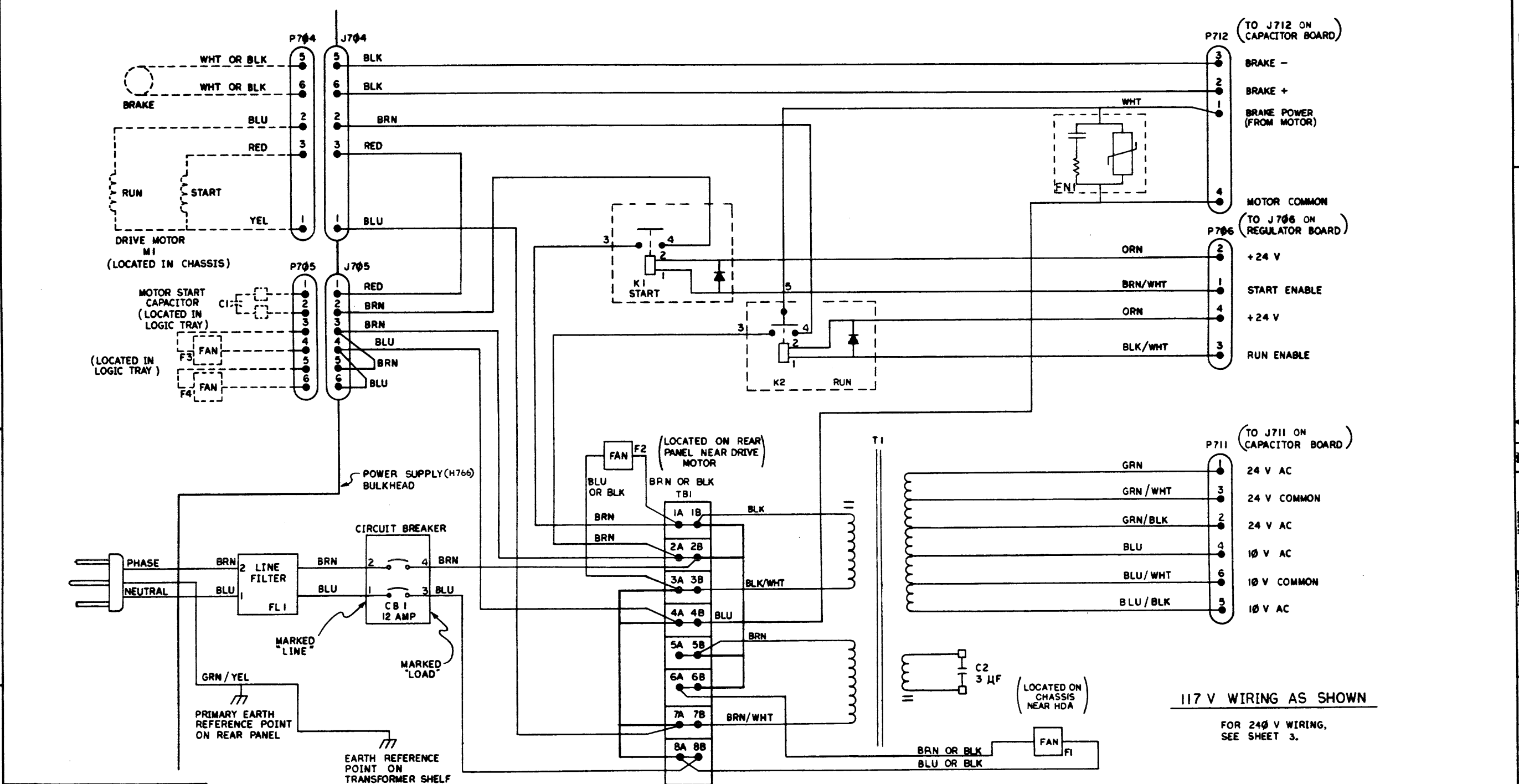
LEGEND

PART NUMBER	DESCRIPTION
H766-A	120V/60HZ
H766-B	240V/50HZ

REVISION HISTORY		BASIC PART NO: 0H766		DRN:	M. ENGLE	DATE:	DIGITAL				
ENG	ECO NUMBER	REV	SECTION A OF A			15-MAY-79					
			SECTION, VARIATION INDEX	CHK'D:	W. MAJOR	26-SEP-79	TITLE		PARTS LIST		
GN			[A] A, B				H766 POWER SUPPLY ASSEMBLY				
GRN	R80-565	*		DES.ENG.:	A. CLARK	26-SEP-79	DOCUMENT NUMBER				
MK	H766-CX001	A	[B]				SIZE	CODE	NUMBER	REV	
GN	H766-CX002	B		RESP.ENG.:	W. MONTERO	26-SEP-79	K	PL	H766-0-DBP	J	
GN	R80-CX005	C	[C]	MFG.ENG.:	W. EHRMANN	16-JAN-80	FILE NAME: Z0501J.PLS				
JN	H766-CX003	D	[D]	ASSEMBLY NUMBER:			EDIT # 54				
JN	H766-CX06A	E	[E]	D-UA-H766-0-0							
BR	H766-CX07A	F									
JN	H766-CX008	H	[F]								
JN	H766-CX009	J									

THIS DRAWING AND SPECIFICATIONS HEREIN, ARE THE PROPERTY OF DIGITAL EQUIPMENT CORPORATION AND SHALL NOT BE REPRODUCED OR COPIED OR USED IN WHOLE OR IN PART AS THE BASIS FOR THE MANUFACTURE OR SALE OF ITEMS WITHOUT WRITTEN PERMISSION. COPYRIGHT (C) 1982, DIGITAL EQUIPMENT CORPORATION

THIS DRAWING AND SPECIFICATIONS HEREIN ARE THE PROPERTY OF DIGITAL EQUIPMENT CORPORATION AND SHALL NOT BE REPRODUCED OR COPIED OR LENT IN WHOLE OR IN PART AS THE BASIS FOR THE MANUFACTURE OR SALE OF ITEMS WITHOUT WRITTEN PERMISSION.
 COPYRIGHT © 1980 DIGITAL EQUIPMENT CORPORATION

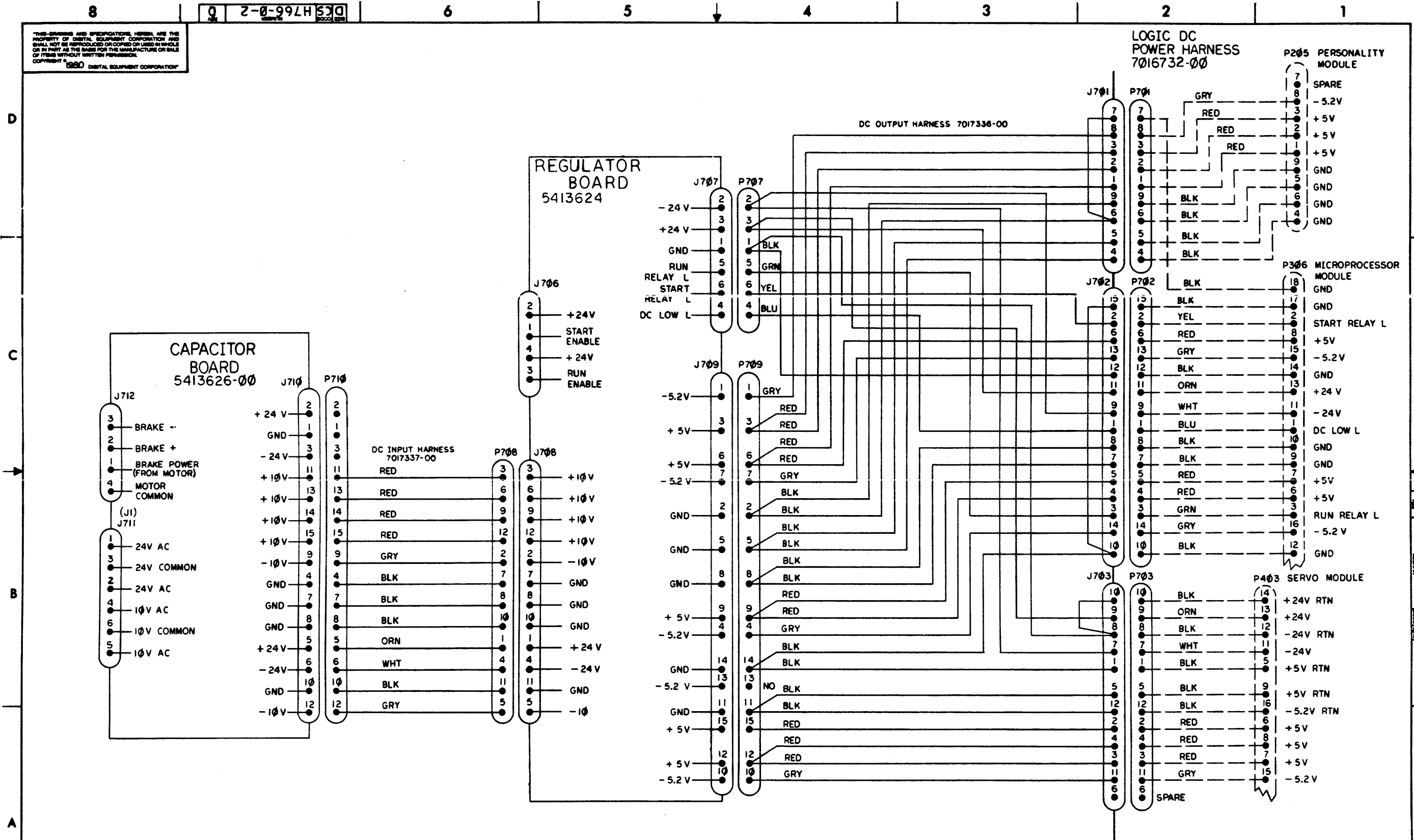


REV.	A	B	C	D
1	RELEASED TO ECO CONTROL PER H766-CM07A	H766-CX003 R.N. 29 JAN 81 J. NORDBERG	H766-CX07A T.F. 1 FEB 82 B. RAY	H766-CX008 K.R.D. MBELL 20 MAY 82 J. NORDBERG

DESIGNED BY: <i>Y. B...</i>	DATE: 3 Dec 79	TITLE: digital
CHECKED BY: <i>W. M...</i>	DATE: 19 SEP 80	H766 POWER SUPPLY
APPROVED BY: <i>George...</i>	DATE: 19 SEP 80	DOCUMENT NUMBER: DCS H766-0-2
DATE: 19 SEP 80	SCALE: 1:1	SHEET: 3 OF 3

DCSH766-0-2

THIS DRAWING AND SPECIFICATIONS HEREON ARE THE PROPERTY OF DIGITAL EQUIPMENT CORPORATION AND SHALL NOT BE REPRODUCED OR COPIED OR USED IN WHOLE OR IN PART AS THE BASIS FOR THE MANUFACTURE OR SALE OF ITEMS WITHOUT WRITTEN PERMISSION.
 COPYRIGHT © 1980 DIGITAL EQUIPMENT CORPORATION

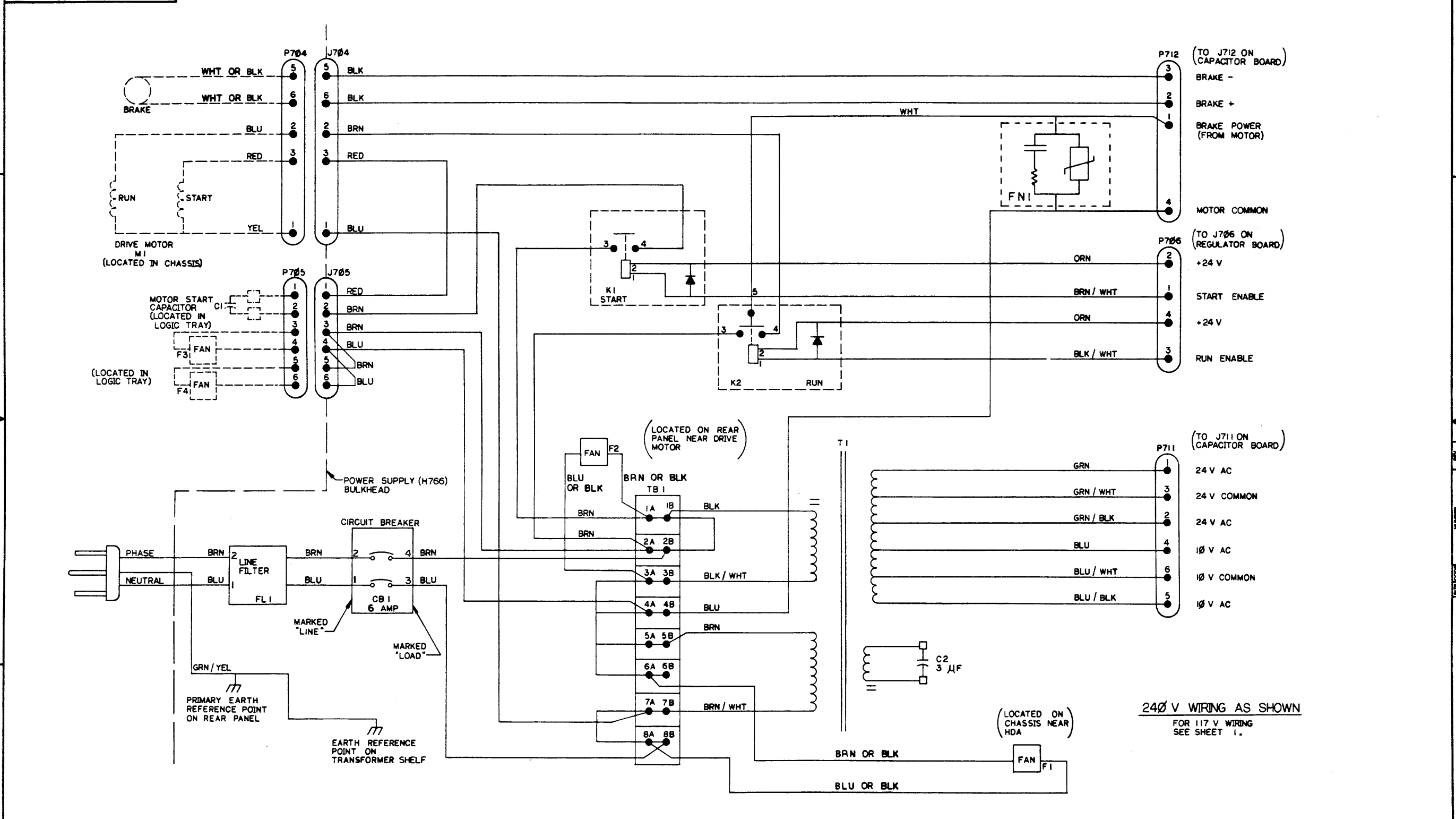


REVISION HISTORY		
DATE	ECO NUMBER	REV.

TITLE
H766 POWER SUPPLY

DOCUMENT NUMBER		
SIZE CODE	NUMBER	REV.
D	H766-0-2	D
SCALE	SHEET 2 OF 3	

THIS DRAWING AND SPECIFICATIONS HEREIN ARE THE PROPERTY OF DIGITAL EQUIPMENT CORPORATION AND SHALL NOT BE REPRODUCED OR COPIED OR USED IN WHOLE OR IN PART AS THE BASIS FOR THE MANUFACTURE OR SALE OF ITEMS WITHOUT WRITTEN PERMISSION.
 COPYRIGHT © 1980 DIGITAL EQUIPMENT CORPORATION



240 V WIRING AS SHOWN
 FOR 117 V WIRING
 SEE SHEET 1.

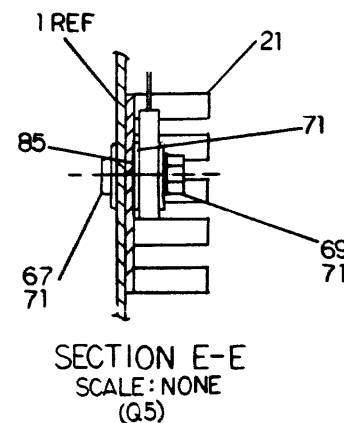
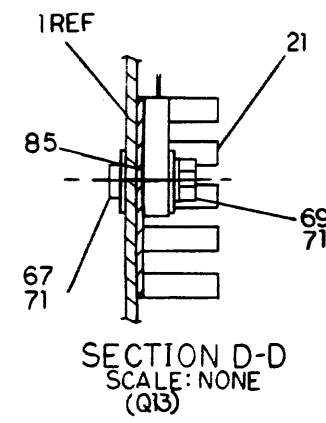
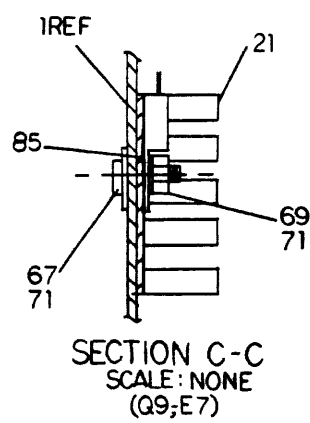
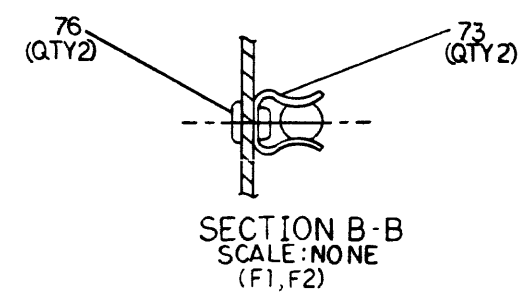
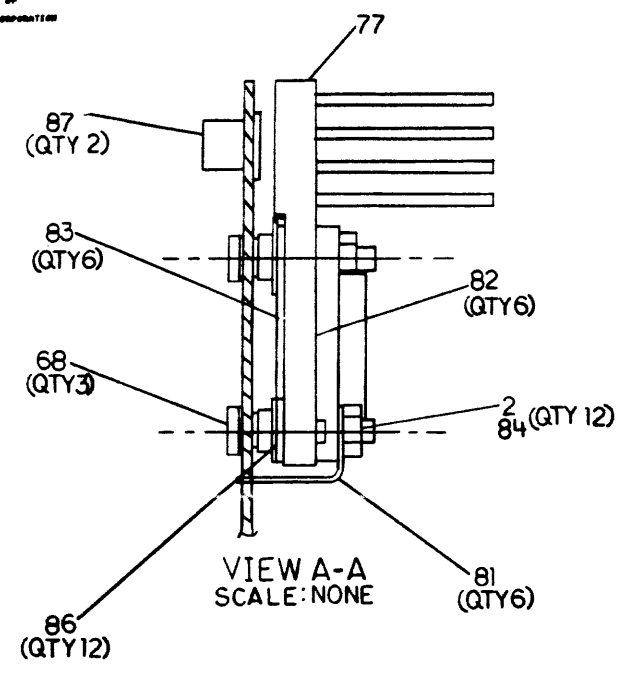
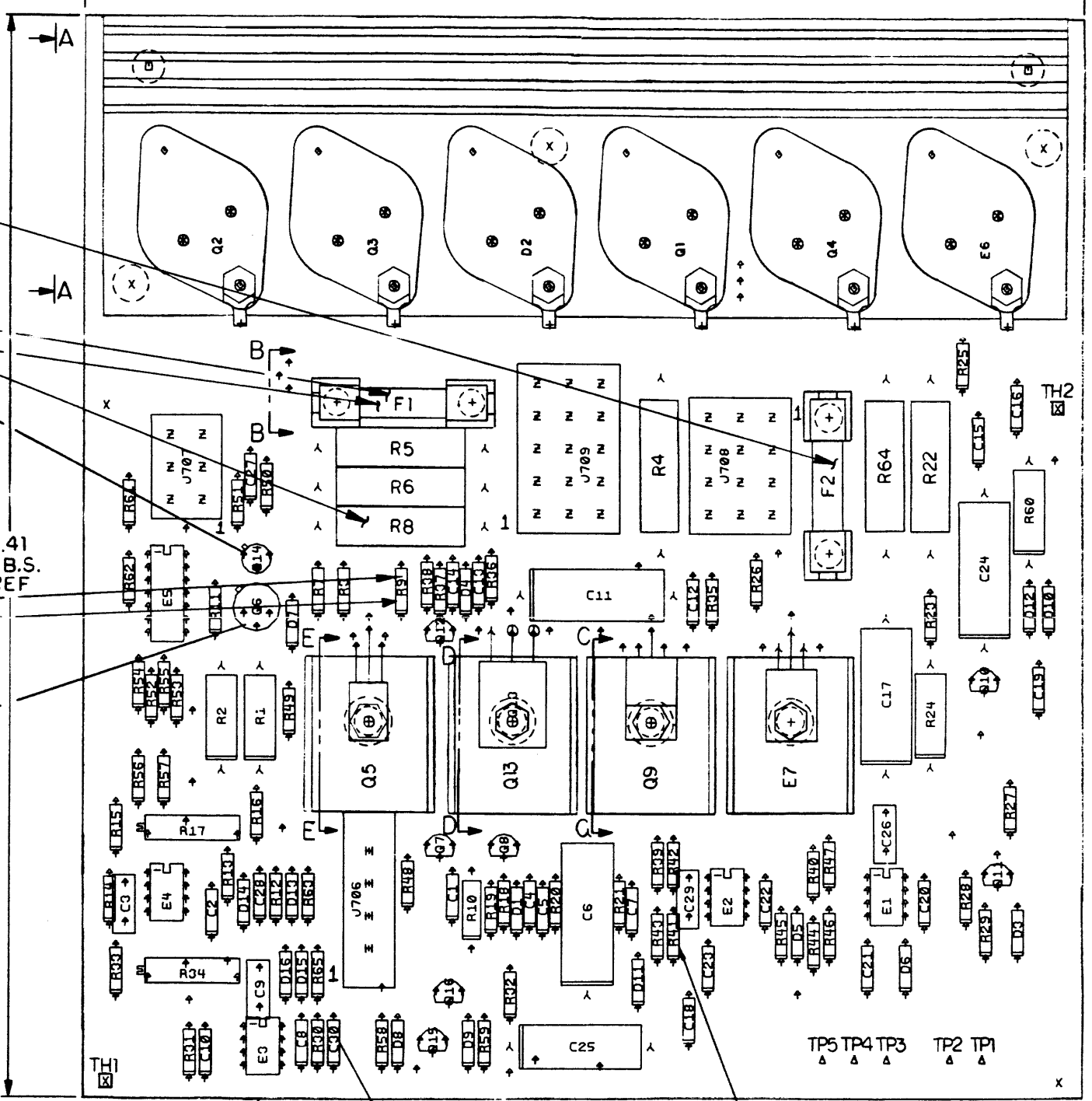
REVISION HISTORY		
DATE	ECO NUMBER	REV.

TITLE		DOCUMENT NUMBER	
H766 POWER SUPPLY		DCS	H766-0-2
SCALE	NONE	SHEET	3 OF 3

THIS DRAWING AND SPECIFICATIONS, HERETO, AND THE PROPERTY OF DIGITAL EQUIPMENT CORPORATION AND SHALL NOT BE REPRODUCED OR COPIED IN WHOLE OR IN PART OR IN ANY MANNER FOR THE MANUFACTURE OR SALE OF ITEMS WITHOUT WRITTEN PERMISSION. COPYRIGHT © 1979 DIGITAL EQUIPMENT CORPORATION

COMPONENT SIDE VIEW

7.825 F.B.S. REF



NOTES:
 1. INSTALL ITEM 90 (9107256-1) ON BOTH LEADS OF ITEM 4 (1011683-00).

STEP E	→ Y AXIS	STEP	TIMES
REPEAT	→ X AXIS	STEP	TIMES

CHG NO	REV	BY	DATE	DESCRIPTION
5413624	E	J. RINALDIS	10/20/79	...
5413624	F	J. RINALDIS	10/20/79	...
5413624	G	J. RINALDIS	10/20/79	...
5413624	H	J. RINALDIS	10/20/79	...
5413624	I	J. RINALDIS	10/20/79	...
5413624	J	J. RINALDIS	10/20/79	...
5413624	K	J. RINALDIS	10/20/79	...
5413624	L	J. RINALDIS	10/20/79	...

CAUTION: OFF-SHEET PARTS LIST. SEE K-PL-5413624-0-DBP (20492).

SEE NOTE 1

ETCH REV. D-P3

SIGNATURES		DATE	digital
DRN. K. DAVIS	CHK'D. A. SIMM	10/20/79	
MECH. ENG. J. RINALDIS		10/20/79	TITLE
PROJ. ENG. M. HAMMER		10/20/79	REGULATOR BOARD
SCALE 7/1	SHT. 1 OF 2	SIZE CODE	NUMBER
NEXT HIGHER REV. B-DB-5413624-0		D UA 5413624-0-0 L	REV

THIS DRAWING AND SPECIFICATIONS HEREIN ARE THE PROPERTY OF DIGITAL EQUIPMENT CORPORATION AND SHALL NOT BE REPRODUCED OR COPIED OR USED IN WHOLE OR IN PART AS THE BASIS FOR THE MANUFACTURE OR SALE OF ITEMS WITHOUT WRITTEN PERMISSION.
 1980 DIGITAL EQUIPMENT CORPORATION

REWORK INSTRUCTIONS:

ECO 5413624-CX005:

COMPONENT DELETES: (SIDE 1)

5-1 R41 (1303312-00) 10K, 1/4W, 1%.

COMPONENT ADDS: (SIDE 1)

5-2 R41 (1317240-00) 11K, 1/4W, 1%.

ECO 5413624-CX006:

COMPONENT DELETES: (SIDE 1)

6-1 R9 39, 1/4W, 5% (1302377-00).

6-2 F1 FUSE, SLO BLOW 6.25A (9007223-00).

COMPONENT ADDS: (SIDE 1)

6-3 R9 22, 1/4W, 5% (1301969-00).

6-4 F1 FUSE, SLO BLOW 7.0A (9007224-00).

ECO 5413624-CX007:

COMPONENT DELETES (SIDE 1)

7-1 R9 22, 1/4W, 5% (1301969-00)

7-2 R8 .04, 5W, 3% (1311362-00)

7-3 F1 FUSE, SLO BLOW, 7.0A (9007224-00)

7-4 F2 FUSE, SLO BLOW, 5.0A (9007222-00)

COMPONENT ADDS: (SIDE 1)

7-5 R9 39, 1/4W, 5% (1302377-00)

7-6 R8 .03, 5W, 3% (1310876-01)

7-7 F1 FUSE, REG. BLOW, 12.0A (9008279-00)

7-8 F2 FUSE, REG BLOW, 12.0A (9008279-00)

DUA 5413624-0-0 L

REVISION HISTORY		
DATE	ECO NUMBER	REV.

TITLE
REGULATOR BOARD

DOCUMENT NUMBER		
SIZE	CODE	NUMBER
D	UA	5413624-0-0
SCALE	NONE	SHEET 2 OF 2

LINE ITEM	DOCUMENT NUMBER	PART NUMBER	DESCRIPTION	QTY PER VARIATION	REFERENCE DESIGNATOR
				00	
1	1	C-MD-5013623-0-0	5013623-00 DRILL & ETCH BD	1	
2	2		9008185-00 NUT, HEX EXT TOOTH LCKWSHR 6-32	12	
3	3		1000009-00 33.0 MMF 100V 5%200PPM MICA	4	C3, C9, C26, C29
4	4	SEE NOTE 1	1011683-00 .022 MFD 50V 10% CER	1	C30
5	5		1001636-00 2400.0 MMF 100V 5%200PPM MICA	1	C28
6	6		1000080-00 50 MFD 50V +75-10% AL EL	1	C17
7	7		1001610-00 .01 MFD 50V +80-20% Z5U CER	13	C2, C4, C7, C8, C10, C12, C13, C19, C20, C21, C22, C23, C27
8	8		1001796-00 50 MFD 25V +75-10% AL EL	1	CONT C25
9	9		1002781-00 100 MFD 25V +75-10% AL EL	2	C11, C24
10	10		1009433-00 190 MFD 12V +75-10% AL EL	1	C6
11	11		1010274-01 .22 MFD 50V +80-20% Z5U CER	4	C1, C15, C16, C18
12	12		1010978-36 .1 MFD 50V 10% CER	2	C5, C14
13	13		1100114-00 D 664 OS\75PC3 PIV= 75V SP	4	D3, D7, D8, D9
14	14		1105275-00 D 672 TR= 15NS PIV= 60V SI	4	D5, D6, D14, D16
15	15		1105796-00 1N 4004 PIV=400 I= 1A D041 SP	2	D10, D11,
16	16		1105871-00 1/4MS.1AZ1 = 5.1 1% .25W N	2	D1, D12
17	17		1212297-01 MATE-N-LDK 04PIN(1X04).250CC HDR	1	J706
18	18		1212297-04 MATE-N-LDK 15PIN(2X08).250CC HDR	1	J709
19	19		1212297-07 MATE-N-LDK 06PIN(2X03).250CC HDR	1	J707
20	20		1212297-08 MATE-N-LDK 12PIN(2X06).250CC HDR	1	J708
21	21		1212487-00 HEAT SINKS 01.18X01.0	4	
22	22		1300171-00 10.0 1.0 W 5.0 % CC	2	R1, R2
23	23		1300202-00 47.0 .25 W 5.0 % CF	2	R20, R37
24	24		1300219-00 68.0 .25 W 5.0 % CF	2	R18, R36
25	25		1300229-00 100.0 .25 W 5.0 % CF	2	R7, R25
26	26		1300247-00 120.0 .25 W 5.0 % CF	1	R27
27	27		1300271-00 220.0 .25 W 5.0 % CF	3	R35, R52, R53
28	28		1300295-00 330.0 .25 W 5.0 % CF	3	R11, R54, R55
29	29		1300297-00 330.0 1.0 W 5.0 % CC	1	R24

REVISION HISTORY		BASIC PART NO: 5413624		DRN: H. WEINBRENNER		DATE: 14-DEC-79		DIGITAL	
ENGR	ECO NUMBER	REV	SECTION A OF A	CHK'D:	A. SIMM	DATE:	23-DEC-79	TITLE	PARTS LIST
---	INITIAL	B	SECTION VARIATION INDEX	CHK'D:	A. SIMM	DATE:	23-DEC-79	TITLE	PARTS LIST
---	INITIAL	B	[A] 00					REGULATOR BOARD	
---	INITIAL	B	[B]						
---	INITIAL	B	[C]						
JR	15413624-CX001	C	[D]	DES. ENG:	J. RINALDIS	DATE:	9-JAN-80		
JR	15413624-CX002	D	[E]						
JR	15413624-CX003	E	[F]	RESP. ENG.:	M. HAMMER	DATE:	9-JAN-80	DOCUMENT NUMBER	
JR	15413624-CX05A	F	[H]						
BR	15413624-CX006	H	[J]					SIZE CODE NUMBER	REV
BR	15413624-CX007	J	[K]	MFG. ENG.:	N. HEDENSTEN	DATE:	9-JAN-80	K PL	5413624-0-DBP
BR	15413624-CX08A	K	[L]						
BR	15413624-CX009	L	[M]	ASSEMBLY NUMBER:		TOP DOCUMENT NUMBER:		FILE NAME:	EDIT #
			[N]	ID-UA-5413624-0-0		# B-DD-5413624-0		Z0492L.PLS	56

RPM
5 OCT
82

"THIS DRAWING AND SPECIFICATIONS HEREIN, ARE THE PROPERTY OF DIGITAL EQUIPMENT CORPORATION AND SHALL NOT BE REPRODUCED OR COPIED OR USED IN WHOLE OR IN PART AS THE BASIS FOR THE MANUFACTURE OR SALE OF ITEMS WITHOUT WRITTEN PERMISSION. COPYRIGHT (C) 1982. DIGITAL EQUIPMENT CORPORATION"

LINE ITEM	DOCUMENT NUMBER	PART NUMBER	DESCRIPTION	QTY	PER VARIATION	REFERENCE DESIGNATOR
				00		
30	30	1300316-00	470.0 .25 W 5.0 % CF	5		R3,R21,R26,R58,R59
31	31	1300324-00	511.0 .75 W 1.0 % RN65D-F10	1		R60
32	32	1300364-00	1.0 K .50 W 5.0 % CF	1		R10
33	33	1300365-00	1.0 K .25 W 5.0 % CF	4		R51,R56,R57,R62
34	34	1300447-00	4.70 K .25 W 5.0 % CF	4		R47,R49,R63,R65
35	35	1300479-00	10.0 K .25 W 5.0 % CF	1		R50
36	36	1301317-00	10.0 .25 W 5.0 % CF	2		R19,R38
37	37	1301890-00	560.0 .25 W 5.0 % CF	2		R28,R61
38	38	1302124-00	18.0 .25 W 5.0 % CF	1		R23
39	39	1302377-00	39.0 .25 W 5.0 % CF	1		R9
40	40	1302388-00	2.0 K .25 W 5.0 % CF	1		R48
41	41	1305337-00	3.65 K .25 W 1.0 % RN55D-F10	1		R30
42	42	1302666-00	10.0 M .25 W 5.0 % CF	2		R45,R46
43	43	1303045-00	3.16 K .25 W 1.0 % RN55D-F10	1		R31
44	44	1303312-00	10.0 K .25 W 1.0 % RN55D-F10	3		R42,R43,R44
45	45	1302941-00	14.70 K .25 W 1.0 % RN55D-F10	1		R15
46	46	1303313-00	12.10 K .25 W 1.0 % RN55D-F10	3		R12,R13,R14
47	47	1304837-00	24.0 K .25 W 5.0 % CF	1		R29
48	48	1304855-00	9.09 K .25 W 1.0 % RN55D-F10	2		R39,R40
49	49	1304870-00	6.81 K .25 W 1.0 % RN55D-F10	2		R32,R33
50	50	1310876-02	.06 5.0 W 3.0 % WW	1		R22
51	51	1309143-07	1.0 K .75 W10.0 % POT	1		R34
52	52	1309143-08	2.0 K .75 W10.0 % POT	1		R17
53	53	1310876-01	.03 5.0 W 3.0 % WW	1		R8
54	54	1310876-03	.05 5.0 W 3.0 % WW	4		R4,R5,R6,R64
55	55	1505867-00	2N 4441 SCR@ 50V & 8A	1		Q13
56	56	1509604-00	DEC4923 NPN 30WC SI 80 20 M	1		Q5
57	57	1510377-01	2N 5294 NPN 36WC SI 70 30 LE	1		Q9
58	58	1510705-00	XA 05 NPN 500MW SI 60 50 P	2		Q15,Q16
59	59	1510706-00	XA 55 PNP 500MW SI 60 50 P	3		Q8,Q11,Q12
60	60	1510959-00	2N 3725 NPN 3.5WC SI 50 60 P	1		Q6
61	61	1511686-00	DEC5433 FET N 350MW 10 25 1A	1		Q14
62	62	1512212-00	DEC8098 NPN 350MW SI 60 50	2		Q7,Q10
63	63	1910282-00	301AN OP AMP	4		E1,E2,E3,E4
64	64	1911637-00	74132 NAND GATE-QUAD 2 IN	1		E5
65	65	1912792-00	DEC 7915 VOLT REG, FIX -15V	1		E7
66	66	1313594-00	14.0 K .25 W 1.0 % RN55D-F10	1		R16
67	67	9006012-01	SCREW,MACH PAN PHIL 4-	4		
68	68	9006024-01	SCREW,MACH PAN PHIL 6-	3		
69	69	9006557-00	NUT,HEX EXT TOOTH LCKWSHR 4-40	4		
70	70	1103340-00	1N 4736A VZ= 6.8 5% 1W Y	1		D13
71	71	9006655-00	WASHER,FLAT SST	9		
72	72	9007254-00	TRANSIPADS #10146	2		
73	73	9007203-00	CLIP, FUSE, WITH STOP, SCREW MDU	4		
74	74	9008279-00	FUSE,REG BLO 12 A, 32V GLASS	2		F1,F2
75	75	9007224-00	*** THIS ITEM IS NOT USED ***	-		
76	76	9009000-00	EYELET,ROLLED 0.1210DX0.156	4		
77	77	1216281-00	HEAT SINK	1		

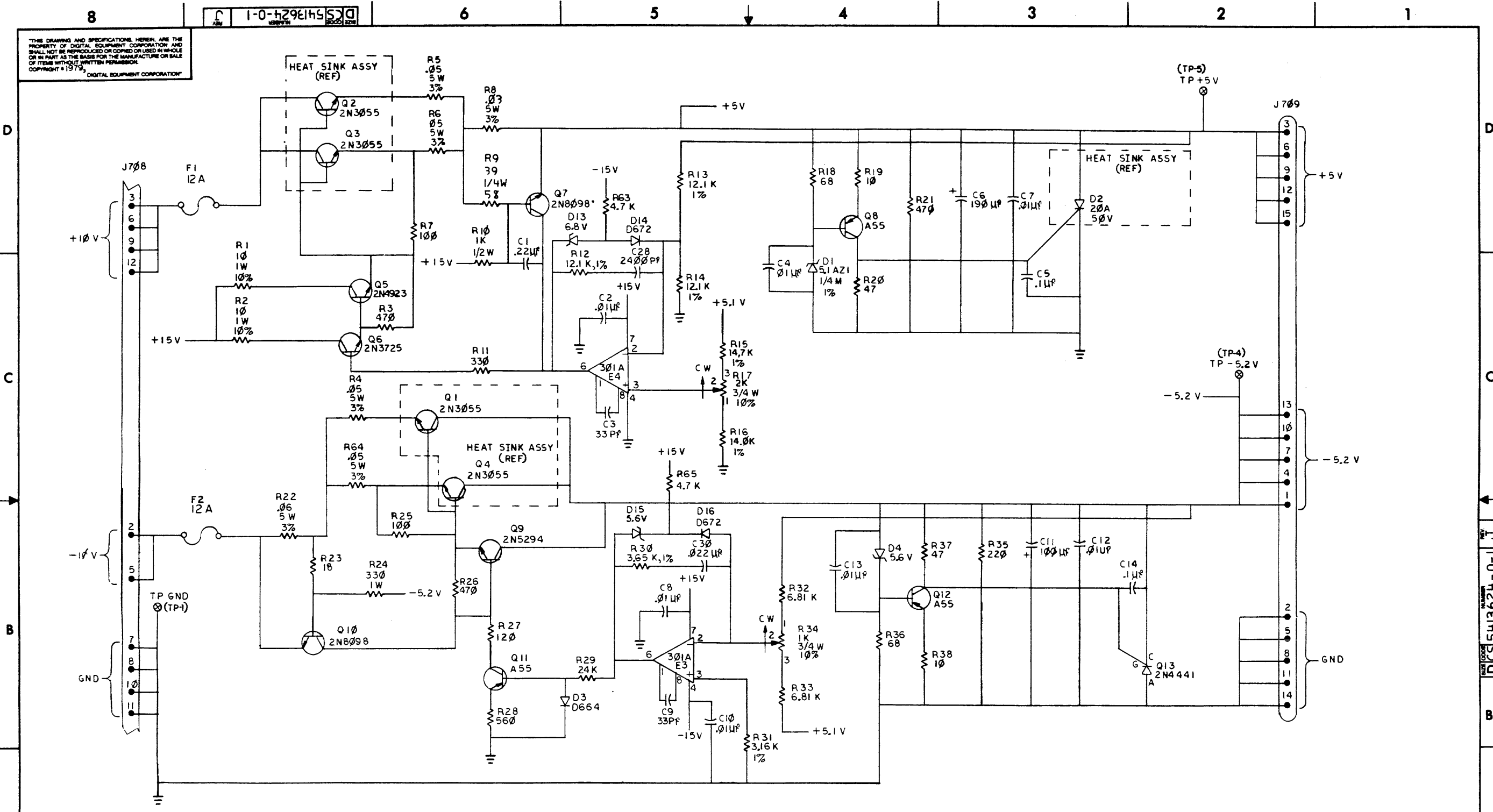
I	I	I	I	I	I	I	I	I	I	TITLE	I	I	I	I	I	I	SIZE	CODE	DOCUMENT NUMBER	REV										
I	D	I	I	G	I	I	T	A	L	REGULATOR BOARD	I	S	E	C	T	I	O	N	A	O	F	A	I							
I	I	I	I	I	I	I	I	I	I		I	I	I	I	I	I	I	I	I	I	I	I	I	I						
I	I	I	I	I	I	I	I	I	I		I	K	I	P	L	I	5	4	1	3	6	2	4	-	D	B	P	I	L	I

LINE ITEM	DOCUMENT NUMBER	PART NUMBER	DESCRIPTION	QTY PER VARIATION 00	REFERENCE DESIGNATOR	
78	78	1505819-00	2N 3055 NPN 115WC SI 50 20 V	4	Q1,Q2,Q3,Q4	
79	79	1914473-00	DEC 7815 VOLT REG, FIX +15V	1	E6	
80	80	1109465-00	MCR 649P2SCR@ 50V I=20A T041	1	D2	
81	81	9009676-00	TERM, SOLDER BARRIER STR	6		
82	82	1213071-02	INSULATOR, RUBBER SILICONE SM	6		
83	83	1215580-00	INSULATOR, MOLDED	6		
84	84	9007793-01	SCREW, MACH PAN PHIL 6-	12		
85	85	9008268-00	COMPOUND, THERMAL JOINT	A/R		
86	86	9006656-00	WASHER, FLAT STEEL	12		
87	87	9009112-02	STANDOFF, PC BOARD MOUNTED 6-32	2		
88	88	9009217-00	POST, WIRE WRAP	5	TP1,TP2,TP3,TP4,TP5	
89	89	1102808-00	1N 752A VZ= 5.6 5% .40W	2	D4,D15	
90	90	SEE NOTE 1	9107256-11	TUBING, TEFLON .027ID	A/R	
91	91		1317240-00	11.0 K .25 W 1.0 % RN55D-F1D	1	R41

92 NOTE: - NOTE 1. INSTALL ITEM 90 (9107256-11) ON BOTH LEADS OF
 93 NOTE: - ITEM 4 (1011683-00).

D I G I T A I L				TITLE	REGULATOR BOARD	SECTION A OF A	SIZE	CODE	DOCUMENT NUMBER	REV
							K	PL	5413624-0-DBP	L

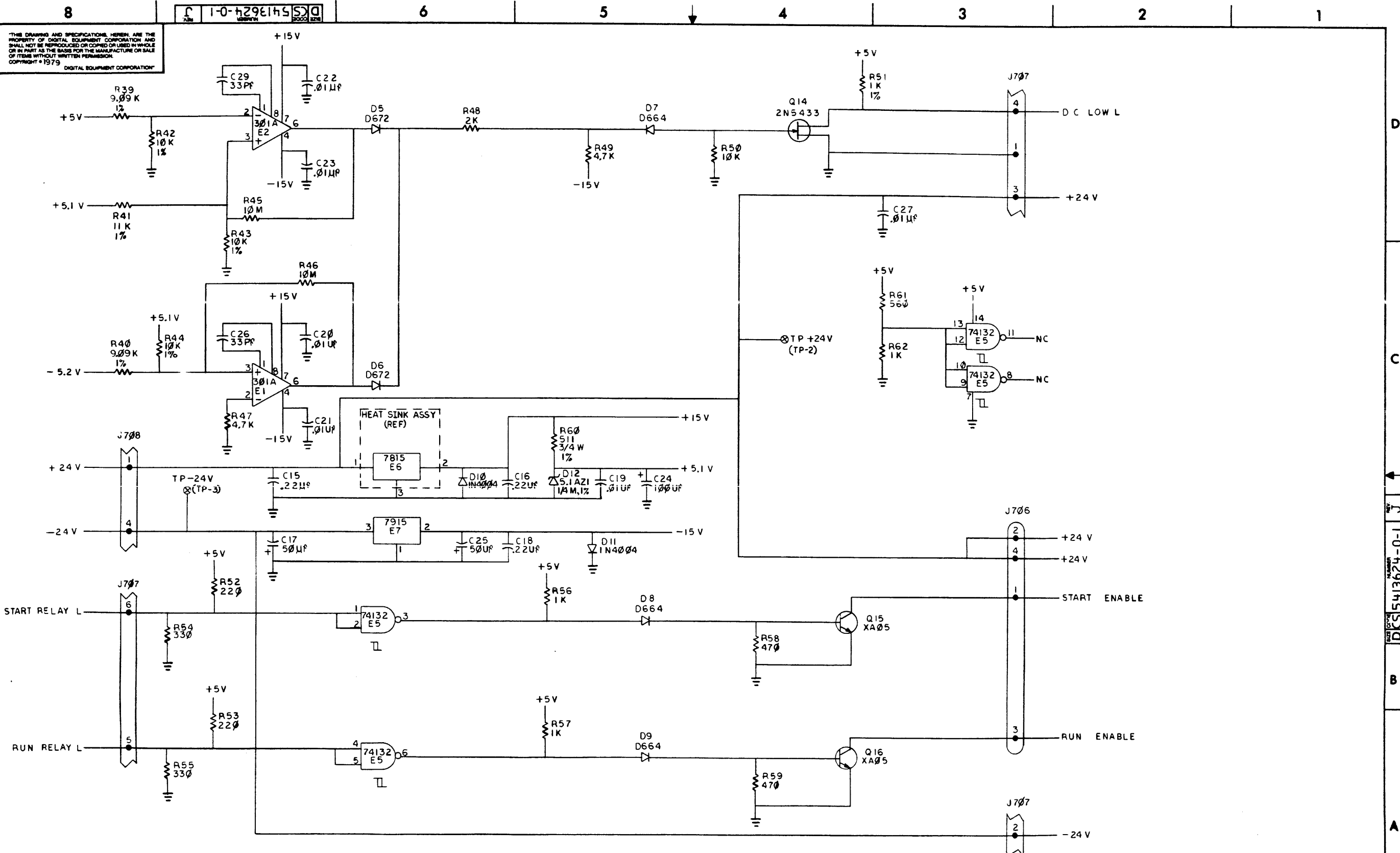
THIS DRAWING AND SPECIFICATIONS, HEREIN, ARE THE PROPERTY OF DIGITAL EQUIPMENT CORPORATION AND SHALL NOT BE REPRODUCED OR COPIED OR USED IN WHOLE OR IN PART AS THE BASIS FOR THE MANUFACTURE OR SALE OF ITEMS WITHOUT WRITTEN PERMISSION.
 COPYRIGHT © 1979, DIGITAL EQUIPMENT CORPORATION



REV.	D	E	F	H	J
ECO NUMBER	5413624-CX003	5413624-CX005	5413624-CX006	5413624-CX007	5413624-CX009
DATE	12/15/79	1/15/80	10/15/80	10/15/81	10/15/82
DESIGNED BY	J. RINALDIS	J. RINALDIS	J. RINALDIS	T. FALETTE	B. RAY
CHECKED BY	J. RINALDIS	J. RINALDIS	J. RINALDIS	T. FALETTE	B. RAY
DATE	12/15/79	1/15/80	10/15/80	10/15/81	10/15/82
DESIGNED BY	J. RINALDIS	J. RINALDIS	J. RINALDIS	T. FALETTE	B. RAY
CHECKED BY	J. RINALDIS	J. RINALDIS	J. RINALDIS	T. FALETTE	B. RAY
DATE	12/15/79	1/15/80	10/15/80	10/15/81	10/15/82
DESIGNED BY	J. RINALDIS	J. RINALDIS	J. RINALDIS	T. FALETTE	B. RAY
CHECKED BY	J. RINALDIS	J. RINALDIS	J. RINALDIS	T. FALETTE	B. RAY
DATE	12/15/79	1/15/80	10/15/80	10/15/81	10/15/82

DRN. K. DAVIS	DATE 18 APR 79	TITLE	digital
CHKD. A. SIMM	DATE 18 APR 79	REGULATOR BOARD	
DES. ENG. J. RINALDIS	DATE 18 APR 79	DOCUMENT NUMBER	
PREP. ENG. M. HAMMER	DATE 18 APR 79		
APP. ENG. D. WEAVER	DATE 18 APR 79		
NEXT HIGHER DOC. B-DD-5413624-0		SCALE	

DCS 5413624-0-1 J



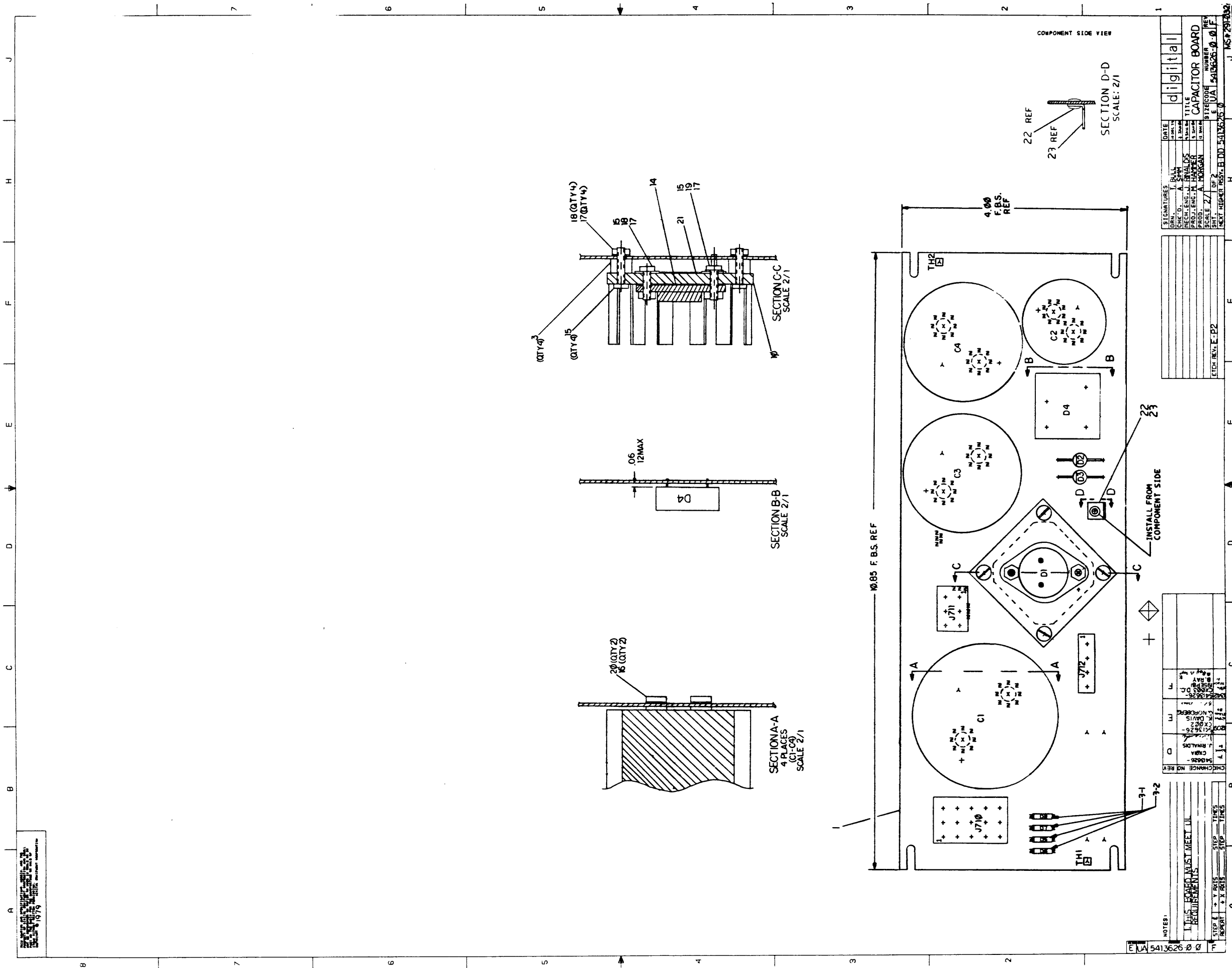
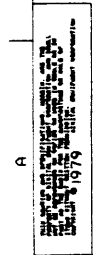
THIS DRAWING AND SPECIFICATIONS, HEREIN, ARE THE PROPERTY OF DIGITAL EQUIPMENT CORPORATION AND SHALL NOT BE REPRODUCED OR COPIED OR USED IN WHOLE OR IN PART AS THE BASIS FOR THE MANUFACTURE OR SALE OF ITEMS WITHOUT WRITTEN PERMISSION. COPYRIGHT © 1979 DIGITAL EQUIPMENT CORPORATION

REVISION HISTORY		
DATE	ECO NUMBER	REV.

TITLE (R B 2)
REGULATOR BOARD

DOCUMENT NUMBER		
SIZE	CODE	NUMBER
DCS	5413624-0-1	J
SCALE		SHEET 2 OF 2

DCS 5413624-0-1 J



NOTES:
 1. THIS BOARD MUST MEET ALL REQUIREMENTS.
 STEP 1 - Y AXIS
 REPORT 1 - X AXIS

STEP	Y AXIS	STEP	TIMES
1	X AXIS	1	TIMES

DATE	BY	CHKD	APP'D

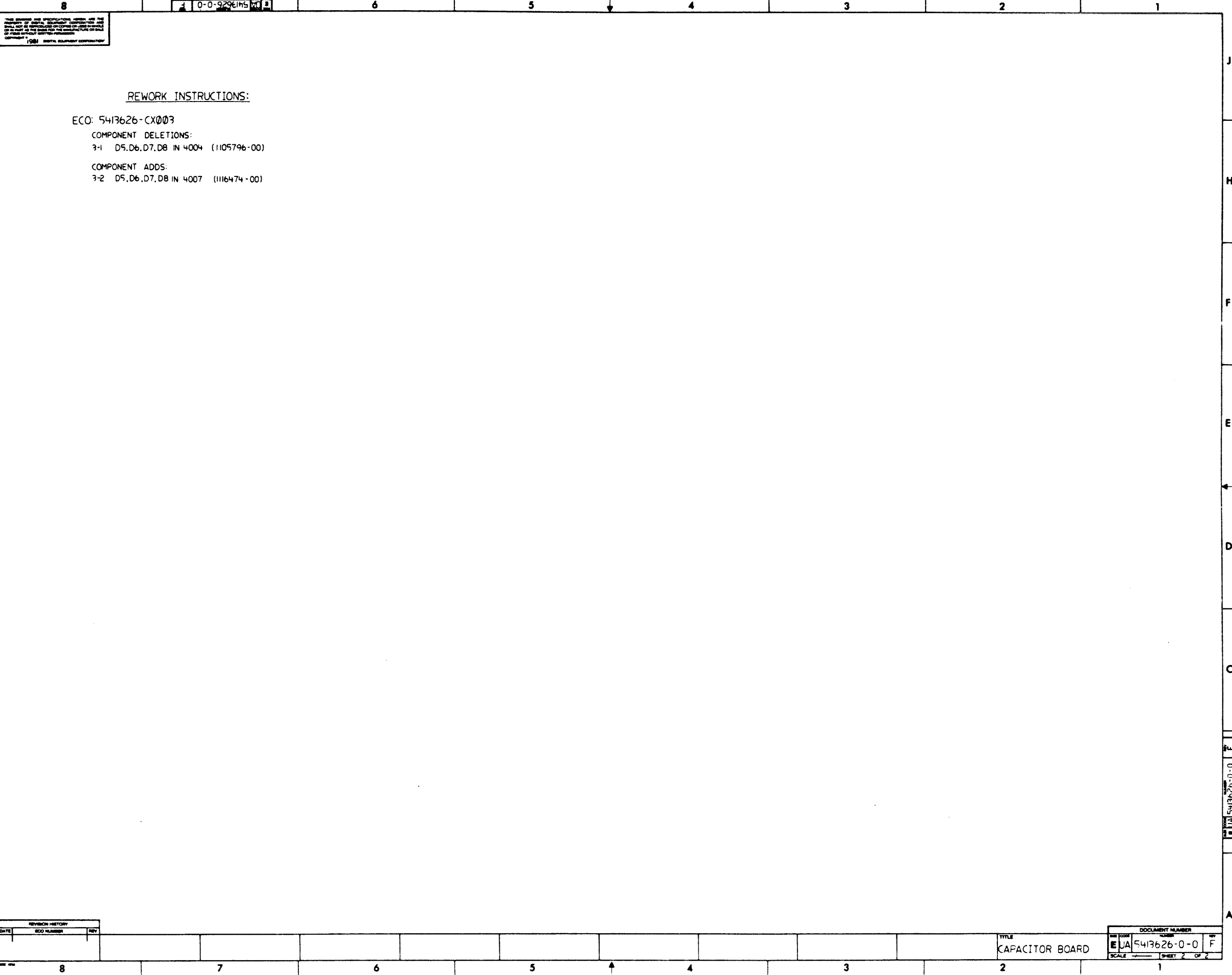
DATE	BY	CHKD	APP'D

DATE	BY	CHKD	APP'D

TITLE: CAPACITOR BOARD
 DRAWING NUMBER: UA 5413626-0-01 F
 SIZE CODE: 27
 OF 2
 NEXT HEATER REV: B.DD 5413626-0-01
 ETC. REV: E-P2

A J H F E D C B A

8 7 6 5 4 3 2 1



THIS DRAWING AND SPECIFICATIONS, HEREIN, ARE THE PROPERTY OF UNITED AIRCRAFT CORPORATION. IT IS TO BE KEPT IN CONFIDENTIALITY AND NOT TO BE REPRODUCED OR TRANSMITTED IN ANY FORM OR BY ANY MEANS, ELECTRONIC OR MECHANICAL, INCLUDING PHOTOCOPYING, RECORDING, OR BY ANY INFORMATION STORAGE AND RETRIEVAL SYSTEM, WITHOUT THE WRITTEN PERMISSION OF UNITED AIRCRAFT CORPORATION.

0-0-92961MS-1

REWORK INSTRUCTIONS:

ECO: 5413626-CX003

COMPONENT DELETIONS:

3-1 D5,D6,D7,D8 IN 4004 (1105796-00)

COMPONENT ADDS:

3-2 D5,D6,D7,D8 IN 4007 (1116474-00)

J
H
F
E
D
C
B
A

J
H
F
E
D
C
B
A

REVISION HISTORY		
DATE	ECO NUMBER	REV

TITLE
CAPACITOR BOARD

DOCUMENT NUMBER	
REV	NUMBER
E	UA 5413626-0-0
F	

SCALE: 1 SHEET 2 OF 2

8 7 6 5 4 3 2 1

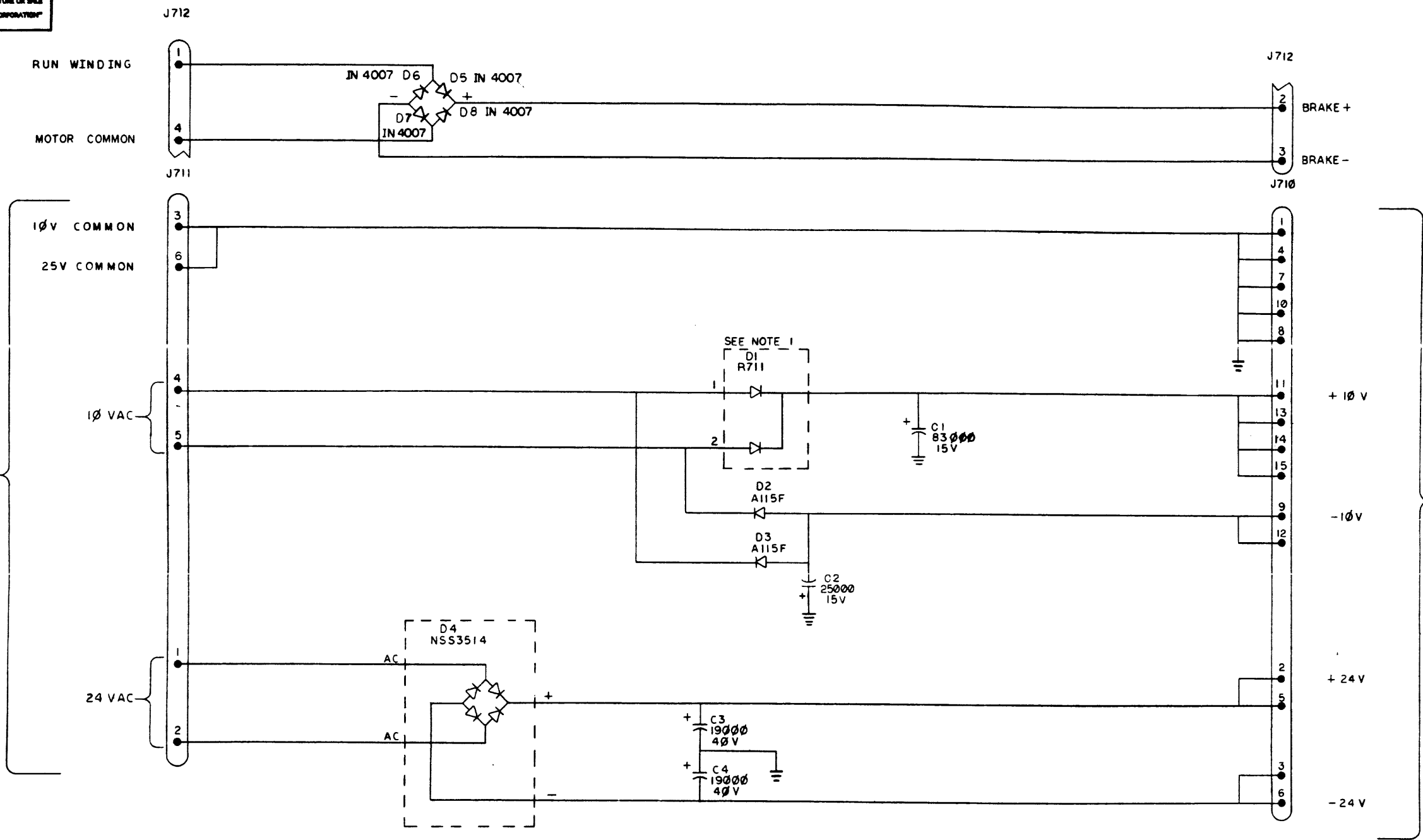
0-0-92961MS-1

LINE ITEM	DOCUMENT NUMBER	PART NUMBER	DESCRIPTION	QTY PER VARIATION 00	REFERENCE DESIGNATOR
1	E-MD-5013625-0-0	5013625-00	DRILL & ETCH BD	1	
2		1116474-00	1N 4007 PIV=1000 I=1A D041	4	D5,D6,D7,D8
3		9009565-00	SPACER, NYLON, .170 ID X .255 OD	4	
4		1016238-00	83,000 MFD 15V +75-10% AL EL	1	C1
5		1016239-00	19,000 MFD 40V +75-10% AL EL	2	C3,C4
6		1016240-00	25,000 MFD 15V +75-10% AL EL	1	C2
7		1110714-00	NSS3514 FWR@400 I=20A (TRW)	1	D4
8		1112594-00	A115F PIV= 50 I= 3A	2	D2,D3
9		1112723-00	RECT ASSY@100V & 25A	1	D1
10		1210012-01	HEAT SINKS,TD-3 1.810X1.81	1	
11		1212297-01	MATE-N-LOK 04PIN(1X04).250CC HDR	1	J712
12		1212297-04	MATE-N-LOK 15PIN(2X08).250CC HDR	1	J710
13		1212297-07	MATE-N-LOK 06PIN(2X03).250CC HDR	1	J711
14		1213071-02	INSULATOR,RUBBER SILICONE SM	1	
15		9007793-01	SCREW,MACH PAN PHIL 6-	6	
16		9006070-01	SCREW,MACH PAN PHIL 10-	8	
17		9008185-00	NUT,KEP 6-32X 1/4 AF	6	
18		9006656-00	WASHER,FLAT STEEL	5	
19		9009676-00	TERM,SOLDER BARRIER STR	1	
20		9006636-00	WASHER,LOCK INTERNAL STEEL	8	
21		1215580-00	INSULATOR,MOLDED	1	
22		9008285-00	EYELET,ROLLED 0.1210DX0.218	1	
23		9008219-00	TERM,TAB .250TAB .130STUD MN	1	

REVISION HISTORY			BASIC PART NO: 5413626			DRN: ART SIMM			DATE: 10-DEC-79			DIGITAL			
ENG	ECO NUMBER	REV	SECTION A OF A			CHK'D:	P.KENDRICK		DATE: 2-JAN-80			TITLE PARTS LIST			
---	INITIAL	C	SECTION VARIATION INDEX			---	INITIAL		DATE: 9-JAN-80			CAPACITOR BOARD			
JR	5413626-CX01A	D	[A]	00		DES.ENG:	J.DREW		DATE: 9-JAN-80						
GN	5413626-CX002	E	[C]			RESP.ENG.:	J.RINALDIS		DATE: 9-JAN-80			DOCUMENT NUMBER			
BR	5413626-CX003	F	[D]			MFG.ENG.:	N.HEDENSTEN		DATE: 9-JAN-80			SIZE	CODE	NUMBER	REV
BR	5413626-CX004	H	[E]			ASSEMBLY NUMBER:	E-UA-5413626-0-0		TOP DOCUMENT NUMBER:			K	PL	5413626-0-DBP	H
			[F]			FILE NAME:	Z0493H.PLS		EDIT #:						32
			[G]			*THIS DRAWING AND SPECIFICATIONS HEREIN, ARE THE PROPERTY OF DIGITAL EQUIPMENT CORPORATION AND SHALL NOT BE REPRODUCED OR COPIED OR USED IN WHOLE OR IN PART AS THE BASIS FOR THE MANUFACTURE OR SALE OF ITEMS WITHOUT WRITTEN PERMISSION.									
			[H]			COPYRIGHT (C) 1982. DIGITAL EQUIPMENT CORPORATION									

THIS DRAWING AND SPECIFICATIONS HEREBY ARE THE PROPERTY OF DIGITAL EQUIPMENT CORPORATION AND SHALL NOT BE REPRODUCED OR COPIED OR USED IN WHOLE OR IN PART AS THE BASIS FOR THE MANUFACTURE OR SALE OF ITEMS WITHOUT WRITTEN PERMISSION. COPYRIGHT © 1973 DIGITAL EQUIPMENT CORPORATION

11-0-929ET1993 2



FROM TRANSFORMER

TO REGULATOR BOARD

REV.	D	E	F	H
1	5413626-CX01A J. RINALDIS 10/11/73	5413626-CX02A K. DAVIS 12/08/73	5413626-CX03 B. RAY 12/19/73	5413626-CX04 B. RAY 1/20/74

- NOTES:
- COMPONENTS NOTED ARE MOUNTED ON HEATSINK
 - UNLESS OTHERWISE SPECIFIED:
ALL RESISTORS ARE 1/4W, 5%.
ALL RESISTOR VALUES ARE IN OHMS.
ALL CAPACITOR VALUES ARE IN MICROFARADS.
ALL DIODES ARE IN4004.

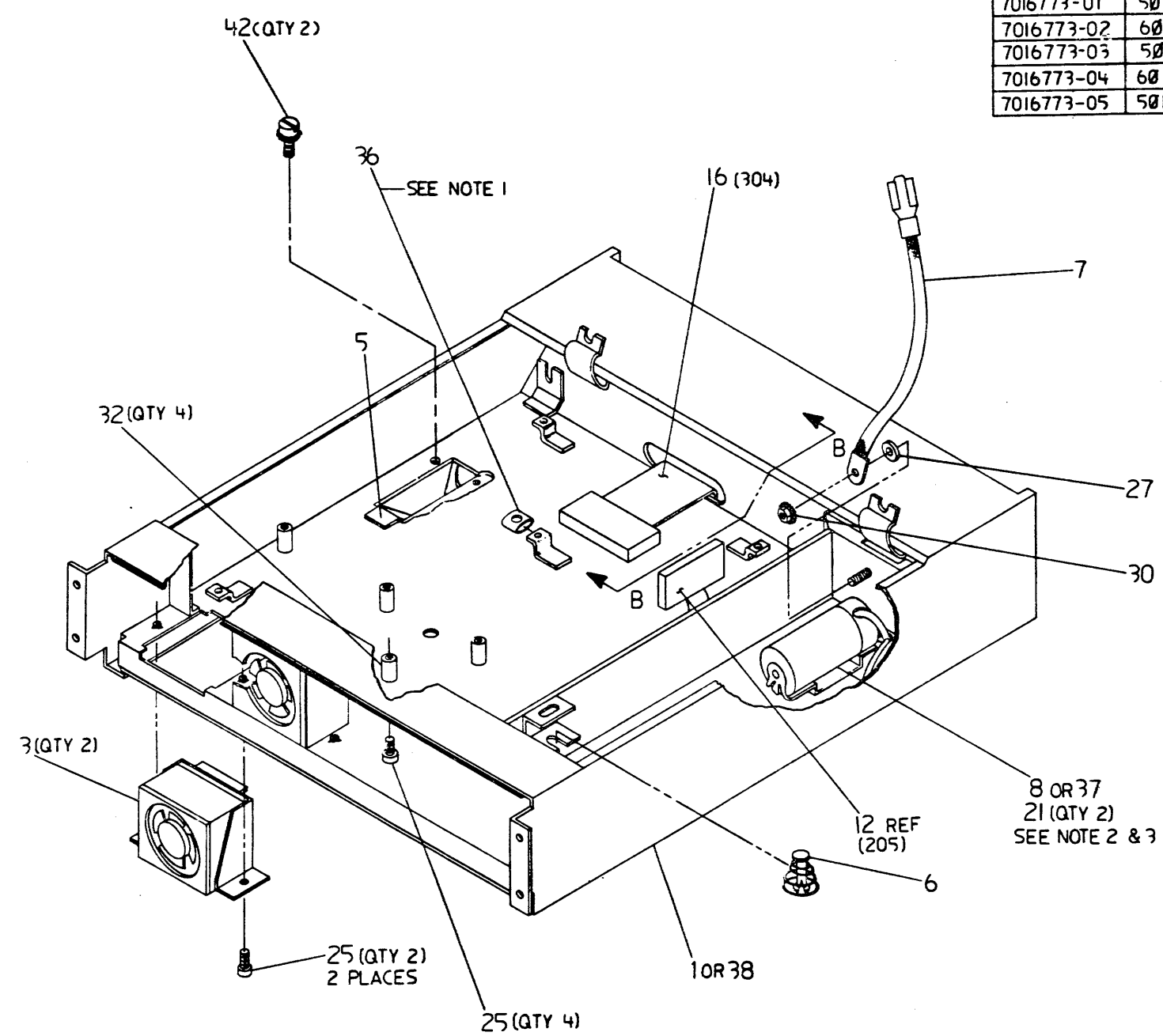
DESCRIPTION		DWG. PART NO.		ITEM NO.
UNLESS OTHERWISE SPECIFIED DIMENSIONS ARE IN INCHES				
ANGLES 10° 30°	CLASS OF ACCURACY	NOMINAL DIMENSION RANGE INCHES		
SURFACE QUALITY IN	MICROINCHES	OVER 0	OVER 0.2	OVER 1.2
		OVER 1.2	OVER 4.0	OVER 12.0
QUANTITY & VARIATION		±.004	±.008	±.012
THIRD ANGLE PROJECTION		±.012	±.018	±.025
REMOVE BURRS AND BREAK SHARP CORNERS		±.04	±.08	±.1
DO NOT SCALE DWG		±.08	±.16	±.25
MATERIAL		±.16	±.32	±.5
FINISH		±.5	±.1	±.1
DRN. <i>R. Sand</i> 6 FEB 79		FIRST USED ON		
CHK'D <i>J.C.M.</i> 12/10/73		TITLE		
ENGR. <i>W. Smith</i> 1/18/74		CAPACITOR BOARD		
PROC. ENGR. <i>W. Smith</i> 1/18/74		NEXT HIGHER ASSY.		
SIZE CODE		B-DD-5413626-0		
SCALE		D CS 5413626-0-1 FH		
SHEET		OF		

THIS DRAWING AND SPECIFICATIONS HEREIN ARE THE PROPERTY OF DIGITAL EQUIPMENT CORPORATION AND SHALL NOT BE REPRODUCED OR COPIED OR USED IN WHOLE OR IN PART AS THE BASIS FOR THE MANUFACTURE OR SALE OF ITEMS WITHOUT WRITTEN PERMISSION.
 COPYRIGHT © 1980 DIGITAL EQUIPMENT CORPORATION

DAD 7016773-0-0 R

LEGEND	
PART NO.	VARIATION
7016773-00	60 HZ 120 V
7016773-01	50 HZ 240 V
7016773-02	60 HZ FCC
7016773-03	50 HZ FCC
7016773-04	60 HZ RAB1
7016773-05	50 HZ RAB1

- NOTES:
- ITEM 36 (INSULATOR) TO BE SHRINK-FITTED INTO PLACE AS SHOWN (5 PLACES).
 - 43-53 μF START CAPACITOR REQUIRED IN DRIVES EQUIPPED WITH 50HZ MOTOR. PART NO. 1216578-01.
 - 53-64 μF START CAPACITOR REQUIRED IN DRIVES EQUIPPED WITH 50HZ MOTOR PART NO. 1216578-02.



CAUTION: OFF-SHEET PARTS LIST EXISTS.
 SEE K-PL-7016773-0-DBP (ZØ495).

DAD 7016773-0-0 R

REV.	DATE	DESCRIPTION
1	1188	REDRAWN AND REVISED PER ECO RAB-CXØØ4 (C.C. 20 SEPT 80) G. NORDBERG
2	1245	REP-CXØØ7 M.E. 16 DEC 80 G. NORDBERG
3	1237	R80-CXØØ8 R.N. 24 MAR 81 J. NORDBERG
4	1305A	7018446 CXØØ1 DB. 21 MAY 81 J. NORDBERG
5	1264	7016773 CXØØ2 T.F. 22 JUNE 81 J. NORDBERG
6	1355	7016773-CXØØ3 K.D. 8 OCT 81 J. NORDBERG
7	1321	7016773-CXØØ4 J. NORDBERG
8	1296	7016773-CXØØ5 T.F. 27 OCT 81 J. NORDBERG
9	1522	R8Ø-CXØØ9 L.R.M. 14 APR 82 J. NORDBERG
10	1541	7016773-CXØØ2 R.B. 14 MAY 82 J. NORDBERG
11	1705	7019062-CXØØ2 AP 30 NOV 82 J. NORDBERG
12	1793	R80-CXØØA J. READ
13	1956	7019062-CXØØ4 J. READ

DESCRIPTION	DRAWING NO.	PART NO.	ITEM NO.					
UNLESS OTHERWISE SPECIFIED DIMENSIONS ARE IN INCHES AND THE FOLLOWING TOLERANCES APPLY (PER DEC STD 114)								
INCHES TOLERANCES	ANGLES ± 0° 30'	APPLICABLE DIMENSION RANGE	DIMENSION RANGE IN INCHES					
			OVER 0 TO 0.2	OVER 0.2 TO 1.2	OVER 1.2 TO 4.0	OVER 4.0 TO 12.0	OVER 12.0 TO 48.0	OVER 48.0 TO 88.0
XX ± .1	SURFACE QUALITY	CHECK ONE	± .02	± .03	± .05	± .10	± .15	
XX ± .02			± .04	± .05	± .10	± .15		
XXX ± .005			± .012	± .016	± .020	± .025		
THIRD ANGLE PROJECTION	DATE	TITLE						
DO NOT SCALE DRAWING	8 MAR 79	LOGIC CHASSIS ASSEMBLY						
REMOVE BURRS AND BREAK SHARP CORNERS	21 SEP 79	DOCUMENT NUMBER						
MATERIAL	20 SEP 79	DAD 7016773-0-0 R						
SEE PARTS LIST	25 JAN 80	SCALE NONE SHEET 1 OF 2						

8

SIZE CODE NUMBER
DAD 7016773-0-0 R

6

5

4

3

2

1

THIS DRAWING AND SPECIFICATIONS HEREIN ARE THE PROPERTY OF DIGITAL EQUIPMENT CORPORATION AND SHALL NOT BE REPRODUCED OR COPIED OR USED IN WHOLE OR IN PART AS THE BASIS FOR THE MANUFACTURE OR SALE OF ITEMS WITHOUT WRITTEN PERMISSION. COPYRIGHT © 1980 DIGITAL EQUIPMENT CORPORATION

D

D

C

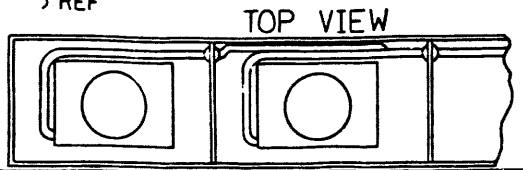
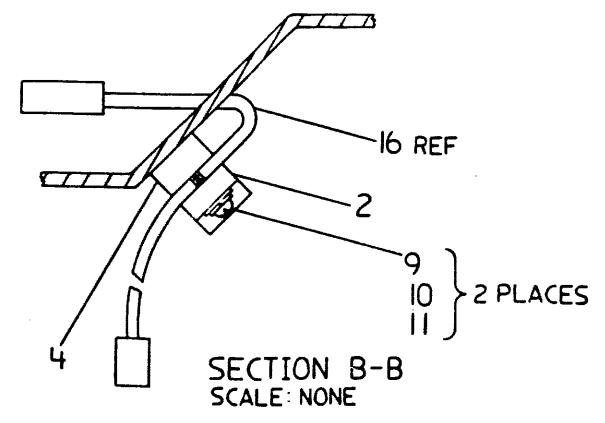
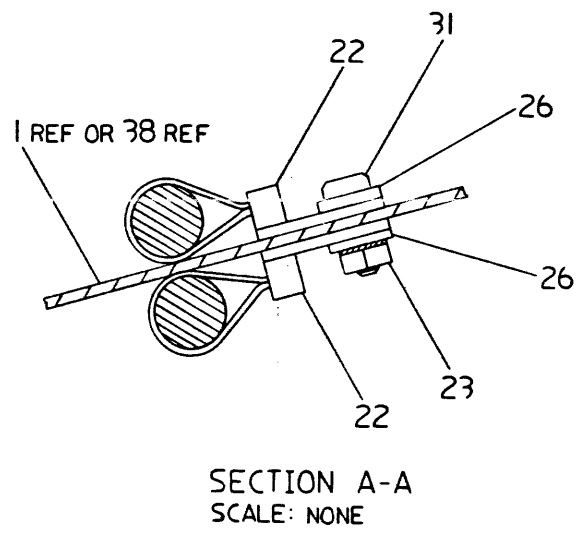
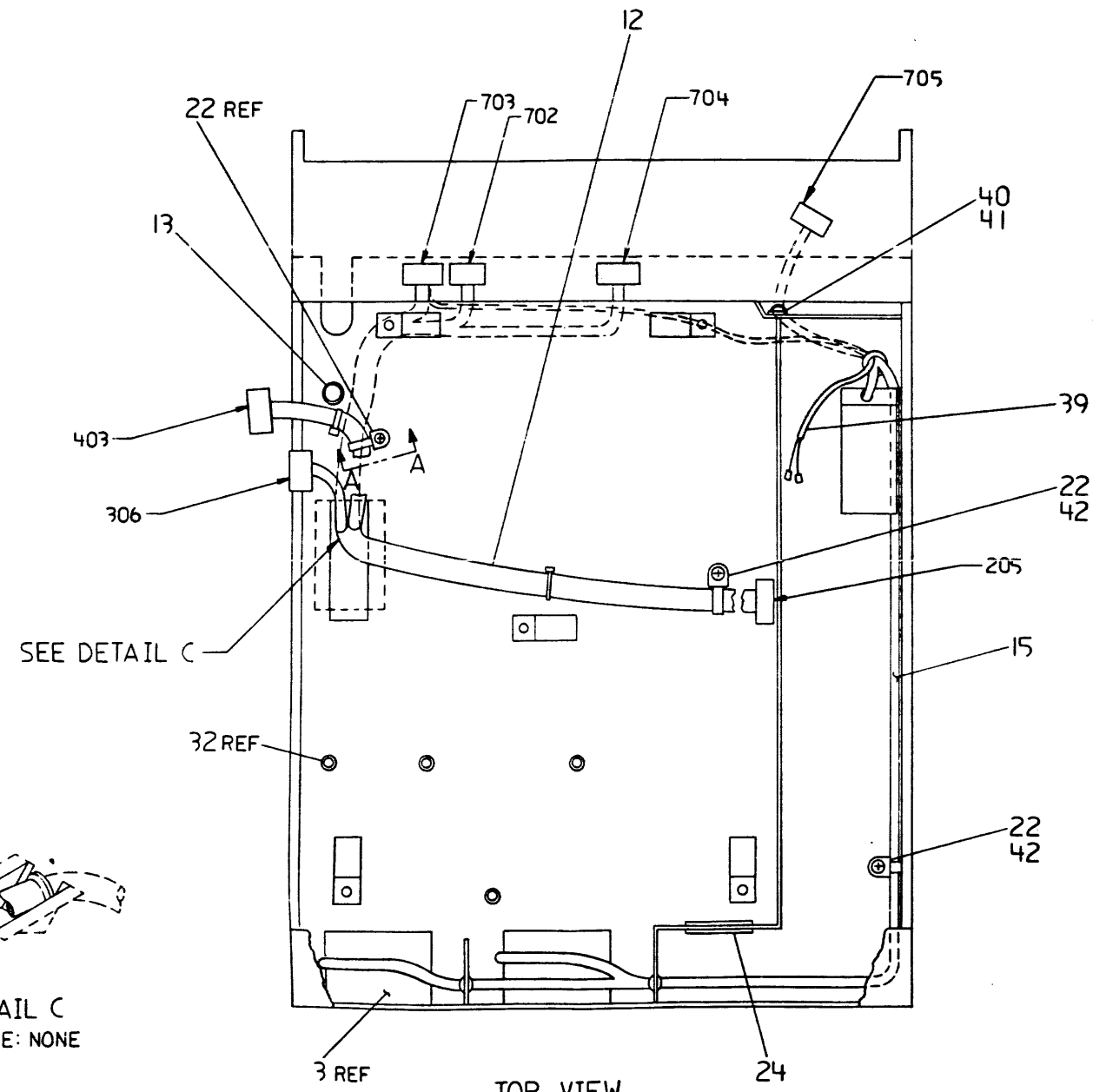
C

B

B

A

A



REVISION HISTORY		
DATE	ECO NUMBER	REV.

DWG 137A

8

7

6

5

4

3

2

1

TITLE LOGIC CHASSIS ASSEMBLY

DOCUMENT NUMBER		
SIZE CODE	NUMBER	REV.
DAD	7016773-0-0	R

SCALE NCNE SHEET 2 OF 2

SIZE CODE NUMBER
DAD 7016773-0-0 R

LINE ITEM	TOP DOCUMENT	PART NUMBER	MIN REV	DESCRIPTION	QTY PER VARIATION					
					00	01	02	03	04	05
1	1	D-IA-7016778-0-0	7016778-00	LOGIC WELDMENT	1	1	-	-	-	-
2	2	C-MD-7421465-0-0	7421465-00	STRAIN RELIEF (TOP)	1	1	1	1	1	1
3	3	C-AD-7016745-0-0	7016745-00	FAN AND BRACKET ASSY.	2	2	2	2	2	2
4	4	C-MD-7422445-0-0	7422445-00	STRAIN RELIEF (BOTTOM)	1	1	1	1	1	1
5	5	C-MD-7422702-0-0	7422702-00	RETAINER, LOGIC CABLE	1	1	1	1	1	1
6	6		1216878-00	SPRING,EJECTOR .94 ODX1.261	1	1	-	-	-	-
7	7	D-IA-7017610-0-0	7017610-0E	STRAP, GROUNDING (5")	1	1	1	1	1	1
8	8		1016924-00	297 MFD 165V AL EL	1	-	1	-	1	-
9	9		9006015-01	SCREW,MACH PAN PHIL 4-	2	2	2	2	2	2
10	10		9006655-00	WASHER,FLAT SST	2	2	2	2	2	2
11	11		9006688-00	WASHER,HELICAL SPLIT SST	2	2	2	2	2	2
12	12	E-IA-7018331-0-0	7018331-00	LOGIC DC POWER HARNESS(WOVEN)	1	1	1	1	-	-
13	13		9007018-00	GROMMET,ROUND RUBBER	1	1	1	1	1	1
14	14	C-IA-7016978-0-0	7016978-00	*** THIS ITEM IS NOT USED ***	-	-	-	-	-	-
15	15	D-IA-7016733-0-0	7016733-00	LOGIC AC HARNESS	1	1	1	1	1	1
16	16	C-IA-7016739-0-0	7016739-00	READ/WRITE CABLE ASSY.	1	1	1	1	1	1
17	17	C-IA-7016737-0-0	7016737-00	*** THIS ITEM IS NOT USED ***	-	-	-	-	-	-
18	18	C-IA-7016738-0-0	7016738-00	*** THIS ITEM IS NOT USED ***	-	-	-	-	-	-
19	19	B-IA-7016735-0-0	7016735-00	*** THIS ITEM IS NOT USED ***	-	-	-	-	-	-
20	20	D-IA-7016980-0-0	7016980-00	*** THIS ITEM IS NOT USED ***	-	-	-	-	-	-
21	21		9006037-02	SCREW,MACH FLAT PHIL 8-	2	2	2	2	2	2
22	22		9007033-00	TIE,CABLE BUNDL.DIA 0-1-3/4"=101	4	4	4	4	4	4
23	23		9006560-00	NUT,HEX EXT TOOTH LCKWSHR 6-32	1	1	1	1	1	1
24	24		9007035-00	GROMMET,CATERPILLAR POLYAMIDE	A/R	A/R	A/R	A/R	A/R	A/R
25	25		9009708-00	SCREW,TAP PAN PHIL THD RL 6-	8	8	8	8	8	8
26	26		9006659-00	WASHER,FLAT S/PAS	3	3	3	3	3	3
27	27		9007651-00	WASHER,LOCK EXTERNAL STEEL	1	1	1	1	1	1
28	28	C-IA-7016740-0-0	7016740-00	*** THIS ITEM IS NOT USED ***	-	-	-	-	-	-

REVISION HISTORY			BASIC PART NO: 7016773			
ENG	ECO NUMBER	REV	SECTION A OF A	DRN: M. ENGLE	DATE: 14-AUG-79	D I G I T A L
GN	R80-CX004	B	SECTION.VARIATION INDEX	CHK D: B. MAJOR	DATE: 14-AUG-79	TITLE PARTS LIST
GN	R80-CX007	C	[AJ00,01,02,03,04,05			LOGIC CHASSIS ASSEMBLY
JN	R80-CX008	D		DES.ENG: A. CLARK	DATE: 14-AUG-79	DOCUMENT NUMBER
JN	7016773-CX002	F	[B]			SIZE!CODE! NUMBER ! REV
JN	7016773-CX003	H	[C]			
JN	7016773-CX004	J	[D]	RESP.ENG.: B. MONTERO	DATE: 14-AUG-79	K ! PL ! 7016773-0-DBP ! R
JN	7016773-CX005	K	[E]			
JN	R80-CX010	L	[F]	MFG.ENG.: W. EHRMANN	DATE: 14-AUG-79	RELEASE DATE:
JN	7018446-CX002	M				
GN	7019062-CX002	N	[E]	ASSEMBLY NUMBER:	TOP DOCUMENT NUMBER:	FILE NAME: !EDIT #!
JR	R80-CX14A	P		E-AD-7016773-0-0	#B-DD-7018446-0	Z0495R.PLS ! 9 !
JR	7019062-CX004	R	[F]			

Handwritten: John D. Reed 7 Dec 83

"THIS DRAWING AND THE SPECIFICATIONS CONTAINED HEREIN ARE CONFIDENTIAL AND PROPRIETARY. THEY ARE THE PROPERTY OF DIGITAL EQUIPMENT CORPORATION AND SHALL NOT BE REPRODUCED OR COPIED OR USED IN WHOLE OR IN PART AS THE BASIS FOR THE MANUFACTURE OR SALE OF ITEMS WITHOUT WRITTEN PERMISSION. THIS IS AN UNPUBLISHED WORK PROTECTED UNDER THE FEDERAL COPYRIGHT LAWS."

LINE	ITEM	TOP DOCUMENT	PART NUMBER	MIN REV	DESCRIPTION	QTY PER VARIATION					
						00	01	02	03	04	05
29	29	C-IA-7016737-0-0	7016737-01		*** THIS ITEM IS NOT USED ***	-	-	-	-	-	-
30	30		9006565-00		NUT,HEX EXT TOOTH LCKWSHR 10-32	1	1	1	1	1	1
31	31		9006024-01		SCREW,MACH PAN PHIL 6-	1	1	1	1	1	1
32	32		9009556-00		SPACER,THREADED RND PHEN 6-3	4	4	4	4	4	4
33	33		9009636-00		*** THIS ITEM IS NOT USED ***	-	-	-	-	-	-
34	34		1017217-00		*** THIS ITEM IS NOT USED ***	-	-	-	-	-	-
35	35		9007253-02		*** THIS ITEM IS NOT USED ***	-	-	-	-	-	-
36	36	B-MD-7425331-0-0	7425331-00		INSULATOR	5	5	5	5	5	5
37	37		1019003-01		53-64MFD 330V AL EL	-	1	-	1	-	1
38	38	D-IA-7016778-0-0	7016778-01		LOGIC WELDMENT (FCC COMPLIANT)	-	-	1	1	1	1
39	39	E-IA-7018331-0-0	7018331-01		RA81, HHT LEADS	-	-	-	-	1	1
40	40		9008264-00	A	MOUNT, CABLE TIE, ADHESIVE BACKE	1	1	1	1	1	1
41	41		9007032-00	D	TIE,CABLE BUNDL.DIA 0-1-3/4"=101	1	1	1	1	1	1
42	42		1221368-05	A	SCREW,SEMS PAN PHIL 6-	4	4	4	4	4	4

43 NOTE: -

44 NOTE: PART NUMBER VARIATION

45 NOTE: 7016773-00 120V/60HZ NOT FCC COMPLIANT

46 NOTE: 7016773-01 240V/50HZ NOT FCC COMPLIANT

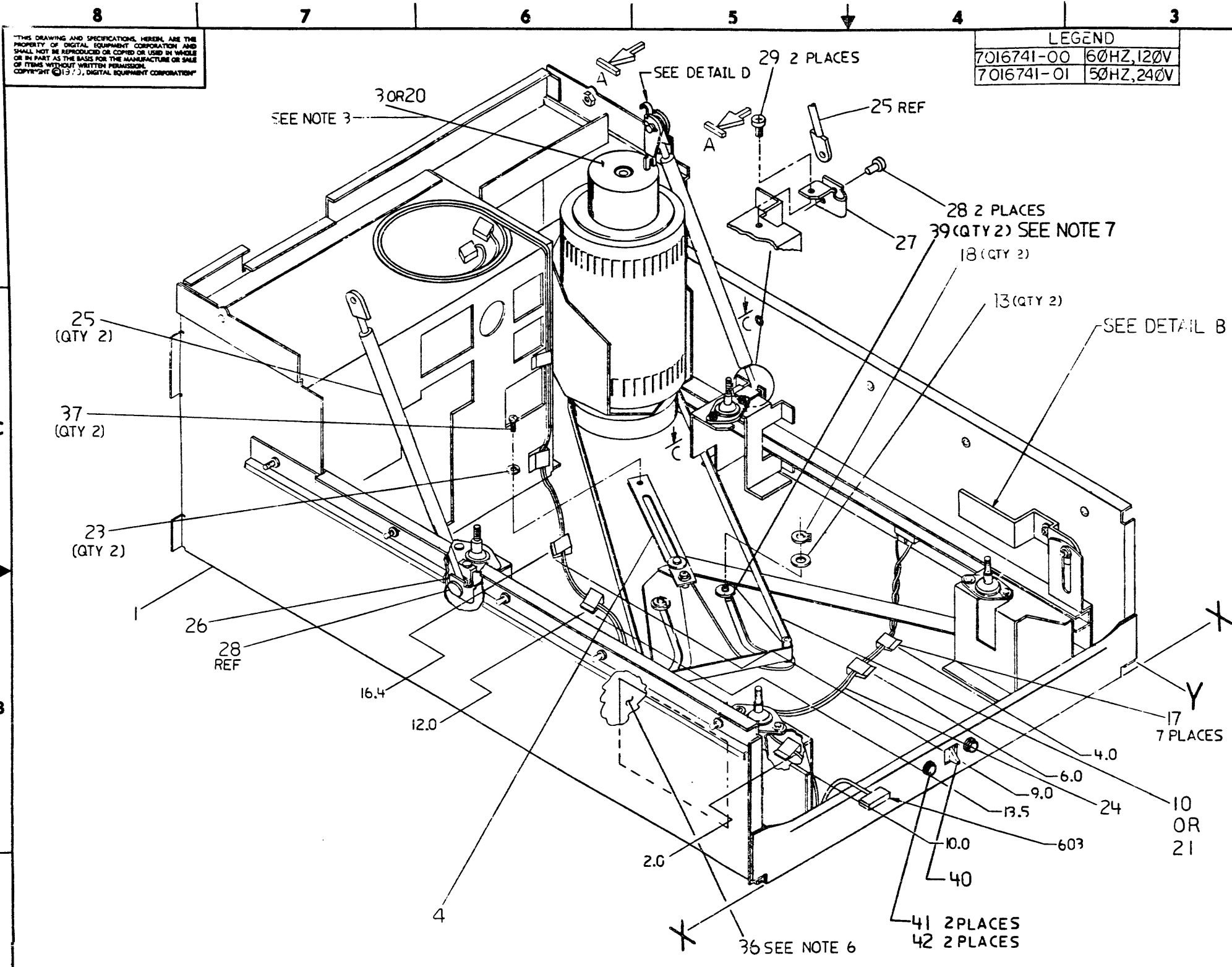
47 NOTE: 7016773-02 120V/60HZ FCC COMPLIANT

48 NOTE: 7016773-03 240V/50HZ FCC COMPLIANT

49 NOTE: 7016773-04 120V/60HZ RA81 FCC COMPLIANT

50 NOTE: 7016773-05 240V/50HZ RA81 FCC COMPLIANT

! D I G I T A L !	! TITLE !	! SECTION A OF A !	! SIZE !	! CODE !	! DOCUMENT NUMBER !	! REV !
	LOGIC CHASSIS ASSEMBLY		K	PL	7016773-0-DBP	R



THIS DRAWING AND SPECIFICATIONS HEREIN ARE THE PROPERTY OF DIGITAL EQUIPMENT CORPORATION AND SHALL NOT BE REPRODUCED OR COPIED OR USED IN WHOLE OR IN PART AS THE BASIS FOR THE MANUFACTURE OR SALE OF ITEMS WITHOUT WRITTEN PERMISSION. COPYRIGHT © 1977, DIGITAL EQUIPMENT CORPORATION.

LEGEND	
7016741-00	60HZ, 120V
7016741-01	50HZ, 240V

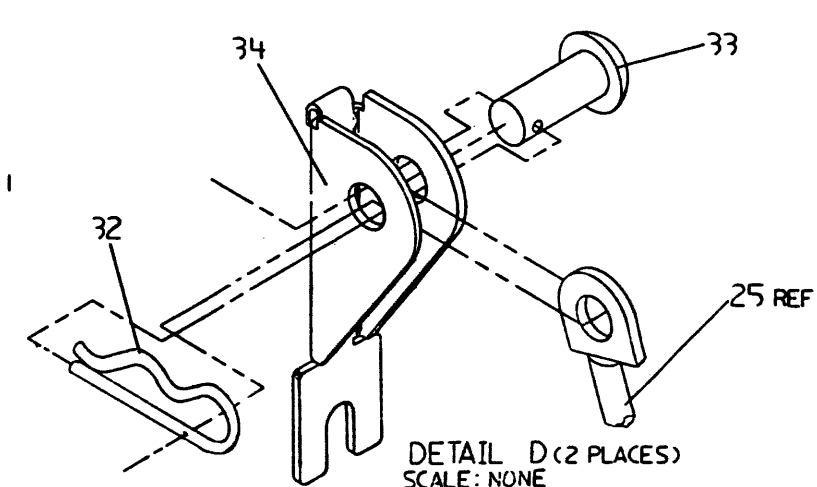
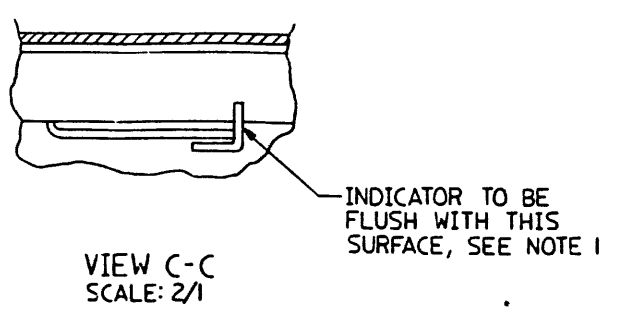
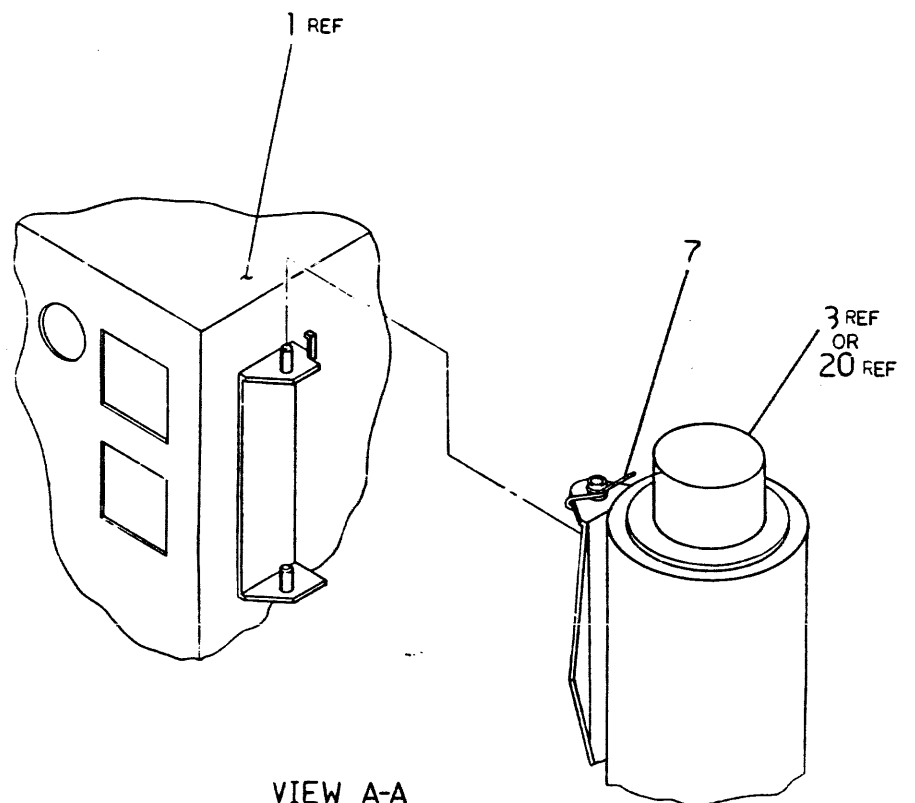
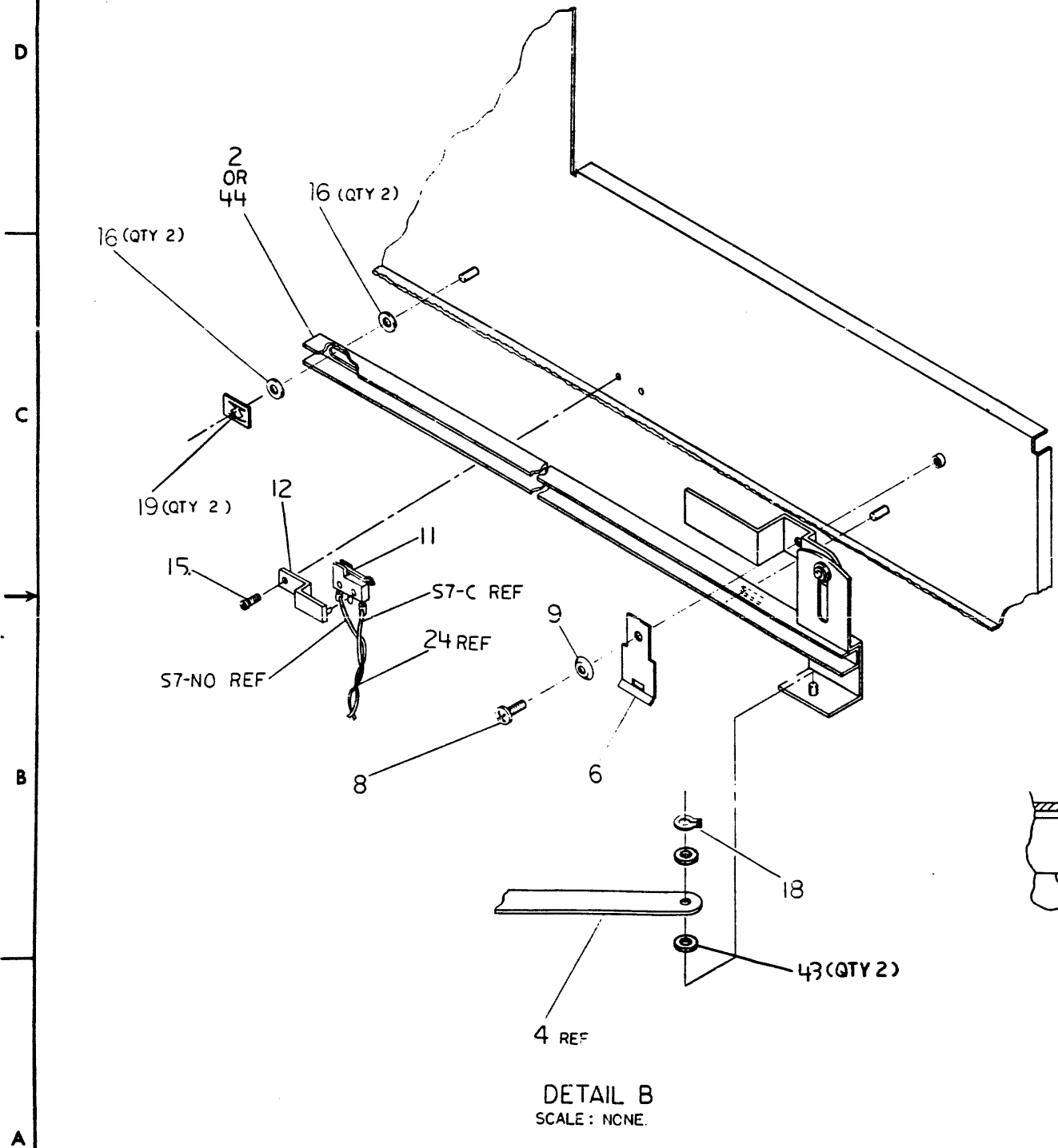
- NOTES:
- MOTOR TENSION TO BE SET BY TURNING ADJUSTING SCREW ON MOTOR/BRAKE ASSY UNTIL INDICATOR EXTENDS SLIGHTLY BEYOND INDICATED SURFACE, (VIEW C-C), THEN REVERSE DIRECTION ON ADJUSTING SCREW UNTIL INDICATOR IS FLUSH. THIS PROCEDURE MUST BE DONE WITH EITHER AN HDA OR EQUIVALENT INSTALLED.
 - ~~ADD LOCTITE 222 (ITEM 31) TO THREADS OF SCREW (ITEM 01) BEFORE ASSEMBLING.~~
 - IN DRIVES EQUIPPED WITH MOTOR PART NO. 1216578-01, A 43-53μF START CAPACITOR IS REQUIRED IN LOGIC CHASSIS. (50 HZ ONLY).
 - DELETED PER ECO 7018446-CX003.
 - DELETED PER ECO 7018446-CX003.
 - LOCATE LABEL (ITEM 36) APPROXIMATELY AS SHOWN.
 - LOCATE MYLAR WASHER (ITEM 43) BETWEEN THE BASEPLATE WELDMENT (ITEM 1) AND THE WING PIVOT ASSEMBLY (ITEM 4).

CAUTION: OFF SHEET PARTS LIST EXISTS. SEE K-PL-7016741-0-DBP (Z0486).

REV.	DATE	BY	CHKD.	DESCRIPTION
1	18 JAN 80	G. NORDBERG		RELEASED TO ECO CONTROL PER PCO -589
2	18 SEP 80	G. NORDBERG		DC. 18 SEP 80
3	24 MAR 81	J. NORDBERG		R. N. 24 MAR 81
4	21 MAY 81	J. NORDBERG		7018446-CX001
5	17 JAN 82	G. FRENCHMAN		7016741-CX002
6	05 FEB 82	J. NORDBERG		7016741-CX003
7	09 AUG 82	G. FRENCHMAN		7018446-CX004
8	14 OCT 82	G. FRENCHMAN		7018446-CX005
9	09 NOV 82	T. FRUGE		7018446-CX006
10	10 JAN 83	M. HAMMER		7018446-CX007
11	07 JUL 83	J. READ		7018446-CX008
12	15 NOV 83	T. FRUGE		7016741-CX009

QUANTITY & VARIATION	DESCRIPTION	DWG./PART NO.	ITEM NO.
	UNLESS OTHERWISE SPECIFIED DIMENSIONS ARE IN INCHES		
ANGLES 30° 30'	CLASS OF ACCURACY (CHECK ONE)	NOMINAL DIMENSION RANGE INCHES	
SURFACE QUALITY IN	MEDIUM	OVER 0 TO 0.2	OVER 0.2 TO 0.5
MICROINCHES	PREFERRED	OVER 0.5 TO 1.2	OVER 1.2 TO 4.0
		OVER 4.0 TO 12.0	OVER 12.0 TO 48.0
		OVER 48.0 TO 80.0	OVER 80.0 TO 100.0
		±.004	±.008
		±.012	±.016
		±.026	±.031
		±.04	±.053
		±.083	±.1
THIRD ANGLE PROJECTION	DRN	FIRST USED ON	Digital
REMOVE BURRS AND BREAK SHARP CORNERS	CHK'D	TITLE	LOWER CHASSIS ASSEMBLY
DO NOT SCALE DWG	ENGR.	PROJ. ENG.	
	PROD. ENGR.		
	NEXT HIGHER ASSY.		
MATERIAL SEE PARTS LIST	D-0-7018446-0-0	SIZE	NUMBER
FINISH	SCALE N.P.E	D AD	7016741-0-0
	SHEET 1 OF 2	DIST.	

THIS DRAWING AND SPECIFICATIONS HEREIN ARE THE PROPERTY OF DIGITAL EQUIPMENT CORPORATION AND SHALL NOT BE REPRODUCED OR COPIED OR USED IN WHOLE OR IN PART AS THE BASIS FOR THE MANUFACTURE OR SALE OF ITEMS WITHOUT WRITTEN PERMISSION. COPYRIGHT © 1973, DIGITAL EQUIPMENT CORPORATION



REVISIONS		
CHK	CHANGE NO.	REV.

TITLE	SIZE CODE	NUMBER	REV.
LOWER CHASSIS ASSEMBLY	DAD	7016741-0-0	P
SCALE NONE	SHEET 2 OF 2	DIST.	

DAD 7016741-0-10 P

LINE	ITEM	TOP DOCUMENT	PART NUMBER	MIN REV	DESCRIPTION	QTY	PER	VARIATION
						00	01	
1	1	D-IA-7016234-0-0	7016234-01		BASEPLATE WELDMENT	1	1	
2	2	D-AD-7016724-0-0	7016724-00		ASSEMBLY, ACTUATOR (BTRM)	-	1	
3	3	C-AD-7016723-0-0	7016723-02		LOW VOLTAGE 60HZ	1	-	
4	4	C-IA-7016230-0-0	7016230-00		ASSEMBLY, WING PIVOT (BTRM)	1	1	
5	5	-	1216902-00		*** THIS ITEM IS NOT USED ***	-	-	
6	6	B-MD-7421993-0-0	7421993-00		SPRING, HANDLE LOCK	1	1	
7	7	B-MD-7422440-0-0	7422440-00		SPRING, BELT RELEASE	1	1	
8	8		9009836-00		SCREW, MACH TRUSS PHIL 8-	1	1	
9	9		9010204-00		WASHER, SPRING BELLEVLE SST	1	1	
10	10		1212635-03		BELT, WOVEN, ENDLESS, 1/2"W X 35.68	1	-	
11	11		1214011-00		SW, MICRO 1PDT NC-NO 5A	1	1	
12	12	K-MD-7425943-0-DBU	7425943-01		BRACKET, SWITCH	1	1	
13	13		9006714-00		WASHER, FLAT NYLON	2	2	
14	14		9009514-01		*** THIS ITEM IS NOT USED ***	-	-	
15	15		9009905-00		SCREW, TAP PAN PHIL THD RL 6-	1	1	
16	16		9008990-00		WASHER, SHOULDER NYLON	4	4	
17	17		9009636-00		CLAMP, CABLE ADH MNT	7	7	
18	18		9008137-00		RING, RETAINER EXTERNAL FOR .250	3	3	
19	19		9010399-01		FASTENER, PUSH-ON, S-LOCK ROUND F/	2	2	
20	20	D-AD-7016723-0-0	7016723-03		HIGH VOLTAGE 50HZ	-	1	
21	21		1212635-05	C	BELT, WOVEN, ENDLESS, .375WX36.81L	-	1	
22	22		1220305-01		*** THIS ITEM IS NOT USED ***	-	-	
23	23		9007801-00		WASHER, HELICAL SPLIT SST	2	2	
24	24	D-IA-7016980-0-0	7016980-00		BELT TENSION SWITCH HARNESS	1	1	
25	25		1217072-00		SPRING, GAS .59 ODX11.85	2	2	
26	26	B-MD-7422795-0-0	7422795-01		GAS SPRING, PIVOT	1	1	
27	27	B-MD-7422795-0-0	7422795-00		GAS SPRING PIVOT (L.H.)	1	1	
28	28		9010210-00		PIN, CLEVIS 0.225ODX0.700LG MAX	2	2	

REVISION HISTORY			BASIC PART NO: 7016741			DRN: R. M. TUSLER			DATE: 14-AUG-79			DIGITAL		
ENG	ECO NUMBER	REV	SECTION A OF A		CHK'D:	R. E. THELLEN		DATE:	14-AUG-79		TITLE PARTS LIST			
GN	R80-CX004	B	SECTION VARIATION INDEX								LOWER CHASSIS ASSEMBLY			
JN	R80-CX008	C	[A]00,01											
JN	7018446-CX001	D												
GF	7016741-CX002	E	[B]		DES.ENG:	A. CLARK		DATE:	14-AUG-79		DOCUMENT NUMBER			
JN	7016741-CX003	F									SIZE	CODE	NUMBER	REV
JN	R80-CX012	H	[C]											
GN	7018446-CX003	J			RESP.ENG.:	W. MONTERO		DATE:	14-AUG-79		K	PL	7016741-0-DBP	P
JN	7018446-CX004	K	[D]											
JN	7018446-CX005	L												
JR	R80-CX14A	M	[E]		MFG.ENG.:	W. EHRMANN		DATE:	16-JAN-80		RELEASE DATE:			
JR	RM80-CX009	N												
TF	7016741-CX04A	P	[F]		ASSEMBLY NUMBER:	D-AD-7016741-0-0		TOP DOCUMENT NUMBER:	#B-DD-7018446-0		FILE NAME:	Z0486P.PLS		EDIT #
														83

19 DEC 83

"THIS DRAWING AND THE SPECIFICATIONS CONTAINED HEREIN ARE CONFIDENTIAL AND PROPRIETARY. THEY ARE THE PROPERTY OF DIGITAL EQUIPMENT CORPORATION AND SHALL NOT BE REPRODUCED OR COPIED OR USED IN WHOLE OR IN PART AS THE BASIS FOR THE MANUFACTURE OR SALE OF ITEMS WITHOUT WRITTEN PERMISSION. THIS IS AN UNPUBLISHED WORK PROTECTED UNDER THE FEDERAL COPYRIGHT LAWS."

LINE	ITEM	TOP DOCUMENT	PART NUMBER	MIN REV	DESCRIPTION	QTY	PER	VARIATION
						00	01	
29	29		9010075-00	B	SCREW,TAP HEXWW THD RL 8-	2	2	
30	30		9006690-00		*** THIS ITEM IS NOT USED ***	-	-	
31	31		4901344-00		*** THIS ITEM IS NOT USED ***	-	-	
32	32		9010211-00		CLIP,HITCH PIN 9/16L SPRW/ZINC	2	2	
33	33		9010210-01		PIN,CLEVIS 0.0430DX0.470LG	2	2	
34	34	B-MD-7422694-0-0	7422694-00		BRACKET, GAS SPRING PIVOT	2	2	
35	35	B-MD-7425746-0-0	7425746-01		*** THIS ITEM IS NOT USED ***	-	-	
36	36		4901462-00		*** THIS ITEM IS NOT USED ***	-	-	
37	37		4901465-00		*** THIS ITEM IS NOT USED ***	-	-	
38	38		3618804-01		LABEL,LOCK INFORMATION	1	1	
39	39		9009514-00		SCREW,TAP PAN PHIL 6-	10	10	
40	40	K-MD-7428319-0-DBU	7428319-01	A	DETENT,LATCH .	1	1	
41	41		9006668-01	A	WASHER,FLAT SST	2	2	
42	42		9006231-09	CR	SCREW,MACH HEX PLN 10-	2	2	
43	43		9010241-00	A	WASHER,FLAT MYLAR	2	2	
44	44	D-AD-7016724-0-0	7016724-01		ACTUATOR ASSY.	1	-	

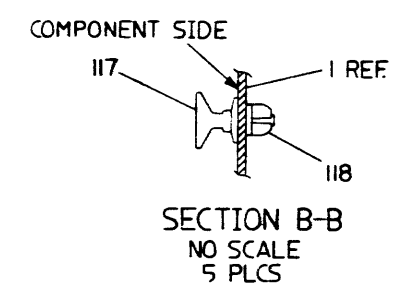
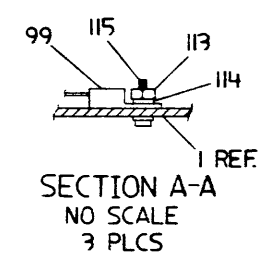
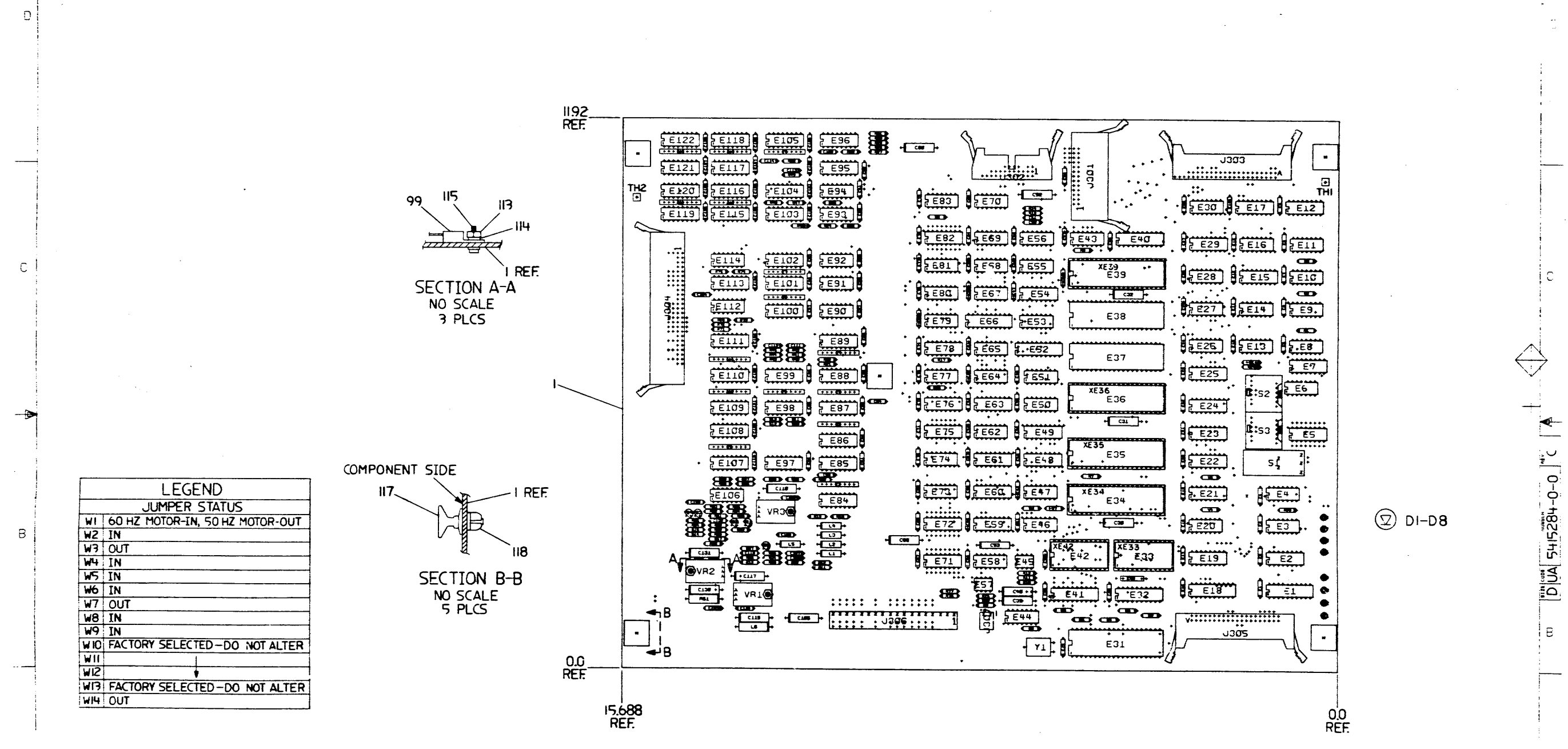
45 NOTE: - LEGEND
 46 NOTE: PART NO. VARIATION
 47 NOTE: 7016741-00 120V,60HZ
 48 NOTE: 7016741-01 240V,50HZ

D	I	G	I	T	A	L	TITLE	LOWER CHASSIS ASSEMBLY	SECTION A OF A	SIZE	CODE	DOCUMENT NUMBER	7016741-0-DBP	REV	P
---	---	---	---	---	---	---	-------	------------------------	----------------	------	------	-----------------	---------------	-----	---

THIS DRAWING AND SPECIAL CALLOUTS HERETO ARE THE PROPERTY OF DIGITAL EQUIPMENT CORPORATION AND SHALL NOT BE REPRODUCED OR COPIED OR USED IN WHOLE OR IN PART FOR THE DESIGN, CONSTRUCTION OR REPAIR OF ANY EQUIPMENT WITHOUT WRITTEN PERMISSION OF DIGITAL EQUIPMENT CORPORATION © 1982

0-0-4825145 V110 2

COMPONENT SIDE 1/16"



LEGEND	
JUMPER STATUS	
W1	60 HZ MOTOR-IN, 50 HZ MOTOR-OUT
W2	IN
W3	OUT
W4	IN
W5	IN
W6	IN
W7	OUT
W8	IN
W9	IN
W10	FACTORY SELECTED—DO NOT ALTER
W11	↓
W12	↓
W13	FACTORY SELECTED—DO NOT ALTER
W14	OUT

NOTES 1. LOCATIONS E5, E7, E71, E72 & E82 ARE SPARES.
2. E33 IS A RESERVED ROM LOCATION WITH ETCH NOT TO BE USED AS A SPARE.
3. L2-L4 ARE SPECIAL COMPONENTS—NOT INSERTED.

STEP	E	Y	AXIS	0	STEP	0	TIMES
REPEAT		X	AXIS	0	STEP	0	TIMES

CHK	CHANGE NO	REV	C
567	5415284-		
68	CK004		
	5/17 NOV/82		
	STRACHMAN		

ETCH REV. A

SIGNATURES		DATE
DRN. Eric Somers		3 NOV 82
CHK D. K. Inghel		4 NOV 82
MECH. ENG. J. J. Smith		2 DEC 82
PROJ. ENG. J. J. Smith		2 DEC 82
PROD. MGR. J. J. Smith		10 DEC 82
SCALE 1/1	SIZE CODE	NUMBER REV
SHT. 1 OF 1	0 UA	5415284-0-0 C
NEXT HIGHER ASSY. B-D0-5415284-0		

5415284-0-0

DI-D8

LINE	ITEM	DOCUMENT NUMBER	PART NUMBER	DESCRIPTION	QTY	PER VARIATION	REFERENCE DESIGNATOR
					01		
1	1	B-DD-5015283-0	5015283-01	DRILL AND ETCH BRD.	1		
2	2		1000076-00	39 MFD 10V 10% S.TANT	1		C53
3	3		1001610-00	.01 MFD 50V +80-20% Z5U CER	112		C1-C29,C33-C38,C41-C49,C54-C65, CONT C67-C79,C81-C83,C85-C92, CONT C94-C102,C104,C109,C111,C112, CONT C116,C118-C129,C132,C133, CONT C135-C138
4	4		1004813-00	10 MFD 20V 10% S.TANT	2		C39,C40
5	5		1005306-00	6.8MFD 35V 10% S.TANT	1		C66
6	6		1013466-05	56.0 MMF 50V 5% CER	1		C114
7	7		1013466-07	220.0 MMF 50V 5% CER	2		C84,C93
8	8		1013466-09	1000.0 MMF 50V 10% X7R CER	3		C50,C51,C134
9	9		1013466-16	.010 MFD 50V 10% X7R CER	1		C106
10	10		1013466-18	330.0 MMF 50V 5% CER	2		C107,C108
11	11		1013466-19	470.0 MMF 50V 5% CER	1		C103
12	12		1013466-23	22.0 MMF 50V 5% CER	1		C113
13	13		1016555-00	22 MFD 50V +50-10% AL EL	2		C115,C130
14	14		1017472-00	10 MFD 35V +50-10% AL EL	9		C30,C31,C32,C52,C80,C105,C110, CONT C117,C131
15	15		1100114-00	D 664 QS\75PCB PIV= 25V SP	2		D9,D10
16	16		1105873-00	4M5-1A21 VZ= 5.1 1% .400W	1		D13
17	17		1109517-00	1N 914B TR= 4M5 PIV= 75V SY	2		D14,D15
18	18		1112689-00	LED .8MCD@16MA VF=5V	8		D1-D8
19	19		1116824-00	1N 5456C 30V 400MW 2% VARACTOR D	2		D11,D12
20	20		1210266-00	SW,TOG 1PDT (ON)-OFF-(ON) 0.4	1		S1
21	21		1212204-12	PCB HEADER 02PIN(1X02).156CC 90D	1		J307
22	22		1212204-14	PCB HEADER 18PIN(1X18).156CC 90D	1		J306
23	23		1216458-00	SW,ROT 1P16POS 28VDC/3A BINA	2		S2,S3
24	24		1216832-00	PCB,HEADER 20POS(2X10).100CC 90D	1		J302
25	25		1216832-01	PCB,HEADER 26POS(2X13).100CC 90D	1		J301

REVISION HISTORY		BASIC PART NO: 5415284		DRN: <i>Sue Bourbeau</i>		DATE: 03-NOV-82		D I G I T A L	
ENG	ECO NUMBER	REV	SECTION A OF A	CHK'D:	DATE:	TITLE	PARTS LIST		
GF	5415284-CX004	C	SECTION VARIATION INDEX	RON MICHAUD	03-NOV-82	RABO MICROPROCESSOR			
			[A] 01	G FRENCHMAN	03-NOV-82				
			[B]						
			[C]						
			[D]						
			[E]						
			[F]						
			[G]						
			[H]						
			[J]						
			[K]						
			[L]						
			[M]						
			[N]						
				ASSEMBLY NUMBER:	TOP DOCUMENT NUMBER:	FILE NAME:	EDIT #		
				D-UA-5415284-0-0	#B-DD-5415284-0	Z2184C.PLS	13		

"THIS DRAWING AND SPECIFICATIONS HEREIN, ARE THE PROPERTY OF DIGITAL EQUIPMENT CORPORATION AND SHALL NOT BE REPRODUCED OR COPIED OR USED IN WHOLE OR IN PART AS THE BASIS FOR THE MANUFACTURE OR SALE OF ITEMS WITHOUT WRITTEN PERMISSION. COPYRIGHT (C) 1983. DIGITAL EQUIPMENT CORPORATION"

LINE	ITEM	DOCUMENT NUMBER	PART NUMBER	DESCRIPTION	QTY	PER VARIATION	REFERENCE DESIGNATOR
					01		
26	26		1216832-02	PCB,HEADER 40POS(2X20).100CC 90D	2		J303,J305
27	27		1216832-03	PCB,HEADER 50POS(2X25).100CC 90D	1		J304
28	28		1300005-03	R NETWORK 13-10K 5.0 X 14PIN	2		E6,E43
29	29		1300202-00	47.0 .25 W 5.0 % CF	5		R52,R53,R55,R67,R69
30	30		1300229-00	100.0 .25 W 5.0 % CF	4		R23,R60,R61,R64
31	31		1300250-00	150.0 .25 W 5.0 % CF	2		R42,R45
32	32		1300271-00	220.0 .25 W 5.0 % CF	4		R12,R15,R27,R29
33	33		1300295-00	330.0 .25 W 5.0 % CF	3		R28,R30,R37
34	34		1300316-00	470.0 .25 W 5.0 % CF	9		R2,R3,R5,R6,R20,R38,R39,R54,R65
35	35		1300365-00	1.0 K .25 W 5.0 % CF	13		R1,R4,R7,R8,R9,R17,R21,R22,R31, CONT R46,R71,R72,R78
36	36		1300417-00	2.20 K .25 W 5.0 % CF	2		R76,R77
37	37		1300432-00	3.0 K .25 W 5.0 % CF	1		R56
38	38		1300447-00	4.70 K .25 W 5.0 % CF	4		R24,R25,R47,R48
39	39		1300479-00	10.0 K .25 W 5.0 % CF	1		R16
40	40		1300496-00	15.0 K .25 W 5.0 % CF	2		R10,R11
41	41		1301401-00	750.0 .25 W 5.0 % CF	2		R18,R19
42	42		1301422-00	7.50 K .25 W 5.0 % CF	2		R13,R14
43	43		1301424-00	680.0 .25 W 5.0 % CF	2		R58,R59
44	44		1301425-00	300.0 .25 W 5.0 % CF	2		R49,R50
45	45		1301477-00	82.0 .25 W 5.0 % CF	4		R40,R41,R43,R44
46	46		1301948-00	49.90 .50 W 1.0 % RN60C-F 5	1		R51
47	47		1302177-00	47.0 K .25 W 5.0 % CF	1		R32
48	48		1302411-00	511.0 .25 W 1.0 % RN55D-F10	1		R57
49	49		1302644-00	226.0 .25 W 1.0 % RN55D-F10	1		R33
50	50		1302956-00	196.0 .25 W 1.0 % RN55D-F10	4		R70,R73-R75
51	51		1305124-00	287.0 .25 W 1.0 % RN55D-F10	1		R36
52	52		1305419-00	31.60 K .25 W 1.0 % RN55D-F10	1		R26
53	53		1316254-00	R NETWORK 7-470 2.0 X 8PIN	15		Z1-Z15
54	54		1316736-00	374.0 .25 W 1.0 % RN55D-F10	1		R35
55	55		1316838-00	432.0 .25 W 1.0 % RN55D-F10	1		R34
56	56		1316840-00	931.0 .25 W 1.0 % RN55D-F10	2		R63,R68
57	57		1316841-00	2.05 K .25 W 1.0 % RN55D-F10	2		R62,R66
58	58		1503029-00	2N 3640 PNP 200MW SI	2		Q1,Q2
59	59		1509524-00	2N 3904 NPN 310MW SI 40 40 M	1		Q4
60	60		1509525-00	2N 3906 PNP 310MW SI 40100 Y	1		Q3
61	61		1513489-00	2N 4401 NPN 350MW SI 40 20	1		Q5
62	62		1603358-00	12.0 UH 10% 300MA #DD12.0	1		L5
63	63		1612946-03	5.6 UH 10% Q MIN=52@7.9MHZ	1		L6
64	64		1616291-00	DELAY= 25NS,10TAPS	2		E112,E114
65	65		1616879-00	INDUCTOR 1.12UH 1% 370MA	1		L1
66	66		1812396-01	XTAL 5.0688 MHZ	1		Y1
67	67		1905575-00	7400 NAND GATE-QUAD 2IN	2		E92,E93
68	68		1909004-00	DEC 7402 NOR GATE-QUAD 2IN	1		E20
69	69		1910155-00	DEC 7408 AND GATE,POS.QUAD 2I	2		E27,E83
70	70		1910230-00	74121 ONE SHOT	1		E58
71	71		1910406-00	75451 DRIVER,PERIPH,DUAL,	1		E45
72	72		1910436-00	DEC 74123 ONE SHOT-DUAL,RETRIG	1		E95

D	I	G	I	T	A	L	TITLE	SECTION A OF A	SIZE	CODE	DOCUMENT NUMBER	REV
							R80 MICROPROCESSOR		K	PL	5415284-0-DBP	C

LINE ITEM	DOCUMENT NUMBER	PART NUMBER	DESCRIPTION	QTY PER VARIATION 01	REFERENCE DESIGNATOR
73	73	1910535-00	74S05 INVERTER GATE-HEX 1	1	E69
74	74	1910544-00	74S74 FF-D DUAL,EDGE TRIGG	3	E9,E13,E94
75	75	1911036-00	75453 DRIVER,PERIPH,DUAL,	1	E57
76	76	1911195-00	7497 MULTIPLIER,6BIT BINA	1	E15
77	77	1911324-00	7414 INVERTER,HEX 1IN SCH	7	E3,E4,E11,E14,E30,E70,E74
78	78	1911399-00	10102 NOR GATE,QUAD 2IN	4	E97,E102,E109,E118
79	79	1911401-00	10104 AND GATE,QUAD 2IN	4	E88,E98,E111,E113
80	80	1911402-00	10105 OR/NOR GATE,2-3-2	1	E108
81	81	1911403-00	10106 NOR GATE,4-3-3	5	E86,E104,E115,E119,E120
82	82	1911414-00	10124 TTL TO ECL TRNSLTR	3	E78,E96,E103
83	83	1911415-00	10125 ECL TO TTL TRNSLTR	1	E89
84	84	1911416-00	10131 DUAL D MSTR/SL,FF	11	E85,E87,E100,E101,E105,E107, CONT E110,E116,E117,E121,E122
85	85	1912048-05	7812 VOLT REG,FIX +12V	1	VR1
86	86	1912799-00	LS00 NAND-GATE-QUAD 2IN,P	5	E26,E64,E67,E73,E79
87	87	1912803-00	LS04 INVERTER GATE,HEX	4	E46,E50,E56,E80
88	88	1912805-00	LS08 AND GATE-QUAD 2IN,PO	2	E51,E77
89	89	1912808-00	LS11 AND GATE-TRIPLE 3IN	1	E8
90	90	1912815-00	LS30 NAND GATE-SINGLE 8IN	2	E65,E68
91	91	1912816-00	LS32 OR GATE-QUAD 2IN,POS	5	E47,E53,E55,E62,E81
92	92	1912824-00	LS74 FF-D DUAL,EDGE TRIGG	5	E10,E16,E28,E44,E90
93	93	1912829-00	LS86 X-OR GATE-QUAD 2IN	1	E91
94	94	1912842-00	LS138 DECODER-THREE INPUT,	11	E2,E12,E17,E19,E48,E49,E60,E61, CONT E63,E75,E76
95	95	1912847-00	LS157 MUX 1 OF 2(QUAD)	2	E29,E54
96	96	1912849-00	LS161 COUNTER,SYNCHR,4BIT	5	E21,E22-E25
97	97	1912864-00	LS279 LATCH,QUAD-S-R	1	E59
98	98	1913017-00	3046 XSISTOR ARRAY,3 ISOL	1	E106
99	99	1914517-01	7912 VOLT REG,FIX -12V	1	VR2
100	100	1915193-00	LS244 DRIVER,LINE,OCTAL,T	1	E32
101	101	1915218-00	LS245 TRANSCEIVER,BUS,OCT	2	E18,E40
102	102	1915219-00	LS373 FF-D OCTAL-TRANSPARE	4	E1,E41,E52,E66
103	103	1916551-00	7905.2VOLT REG,FIX -5.2V	1	VR3
104	104	1916574-00	10114 RECEIVER,LINE,TRIPL	1	E99
105	105	2114963-00	UP,8-BIT NMOS	1	E31
106	106	2114964-00	RAM 2048 MOSJ-STATIC	2	E37,E38
107	107	23063B9-00	B9-02	1	E34
108	108	23022B9-00	B9-02	1	E35
109	109	23023B9-00	B9-02	1	E36
110	110	23064B9-00	B9-02	1	E39
111	111	23299E2-00	E2-04	1	E42
112	112	3615710-00	*** THIS ITEM IS NOT USED ***	-	
113	113	9006556-00	NUT,HEX 4-40X .264AF SS/N	3	
114	114	9006632-00	WASHER,LOCK INTERNAL STEEL	3	
115	115	9008301-01	SCREW,MACH PAN PHIL 4-	3	
116	116	9009185-00	JUMPER, WIRE, INSULATED, BLACK B	8	W1,W2,W4-W6,W8-W10
117	117	9009963-00	PLUNGER, 1/4 DIA	5	
118	118	9009966-00	GROMMET,SNAP-IN POLYCARBONAT	5	

! D ! I ! G ! I ! T ! A ! L !	! TITLE	! SECTION A OF A	! SIZE ! CODE !	! DOCUMENT NUMBER	! REV
	RAB0 MICROPROCESSOR		K ! PL	5415284-0-DBP	C

AUTOMATED BY PRTLST.3P(44)

P A R T S L I S T

SHEET A4 OF A4

LINE ITEM	DOCUMENT NUMBER	PART NUMBER	DESCRIPTION	QTY PER VARIATION	REFERENCE DESIGNATOR
				01	
119	119	1215006-08	SKT,IC 40PIN DIP TIN SOLD	4	XE34-XE36,XE39
120	120	1215006-06	SKT,IC 24PIN DIP TIN SOLD	2	XE33,XE42
121	121	23369E2-00	E2-04	1	E33
122	122	1913220-00	10216 RECEIVER,TRIPLE LINE	1	E84

D	I	G	I	T	A	L	TITLE	SECTION A OF A	SIZE	CODE	DOCUMENT NUMBER	REV
							RAB0 MICROPROCESSOR		K	PL	5415284-0-DBP	C

8

1-0-52251-8 500

6

5

4

3

2

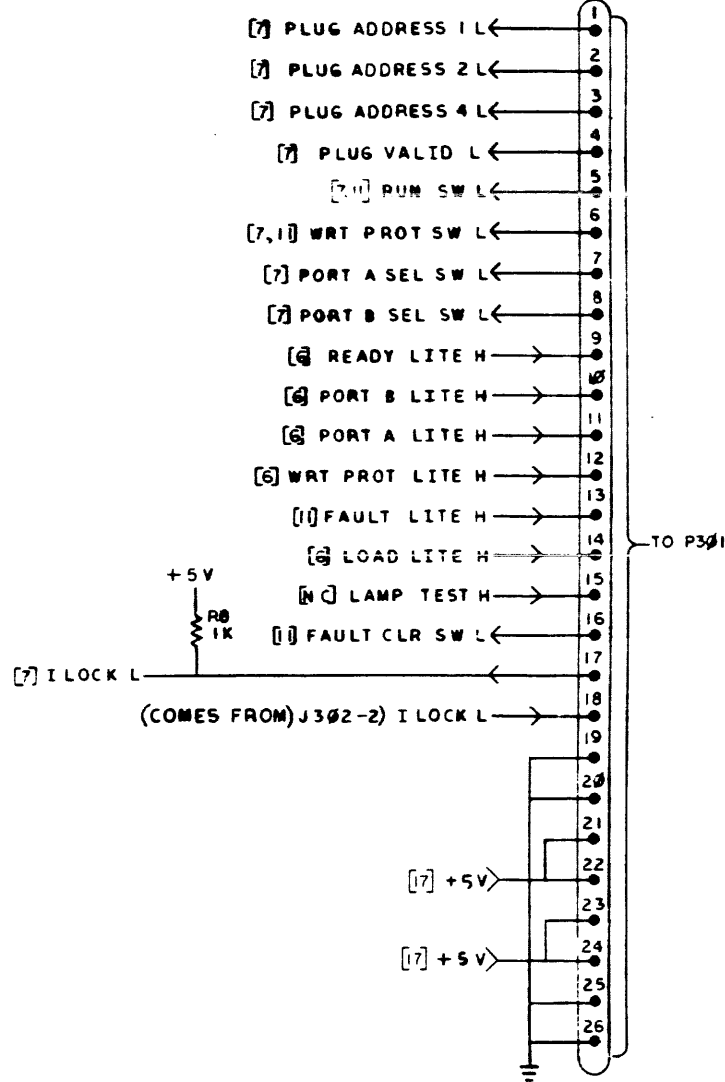
1

THIS DRAWING AND SPECIFICATIONS HEREIN ARE THE PROPERTY OF DCS. REPRODUCTION OR DISSEMINATION OF THIS DRAWING OR SPECIFICATIONS HEREIN IS PROHIBITED WITHOUT THE WRITTEN PERMISSION OF DCS. DOCUMENT 5415234-0

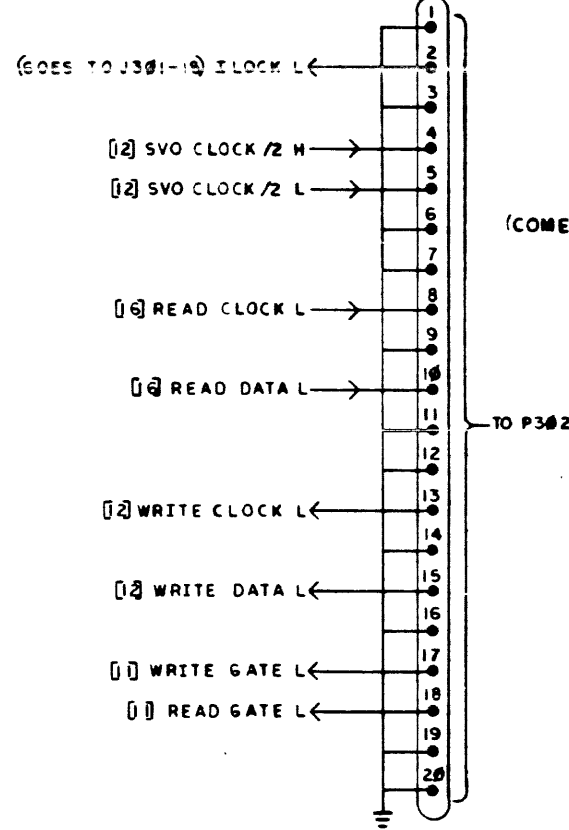
NOTES:

- UNLESS OTHERWISE SPECIFIED, ALL RESISTORS ARE 1/4 W, 5%. ALL RESISTOR VALUES ARE IN OHMS. ALL CAPACITOR VALUES ARE IN MICROFARADS.
- PIN NUMBERS IN PARENTHESES () ARE REFERENCE ONLY.

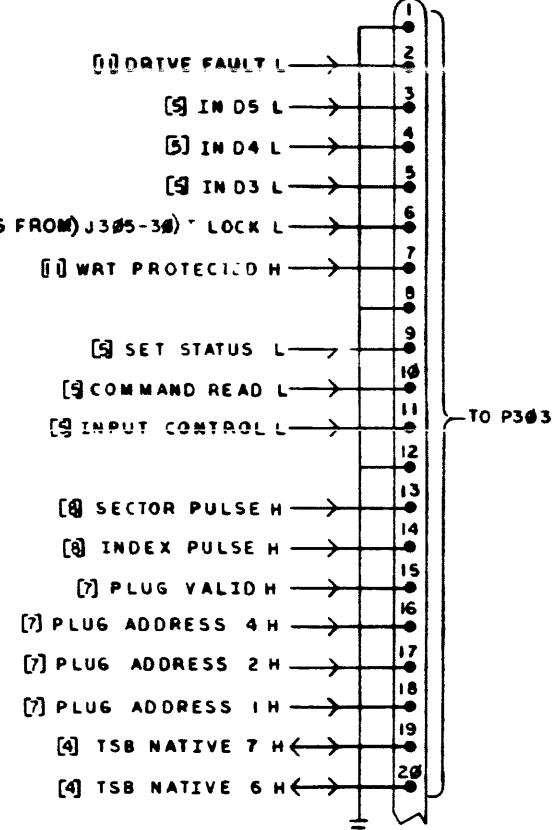
J301
(DESTINATION IS FRONT PANEL J101)



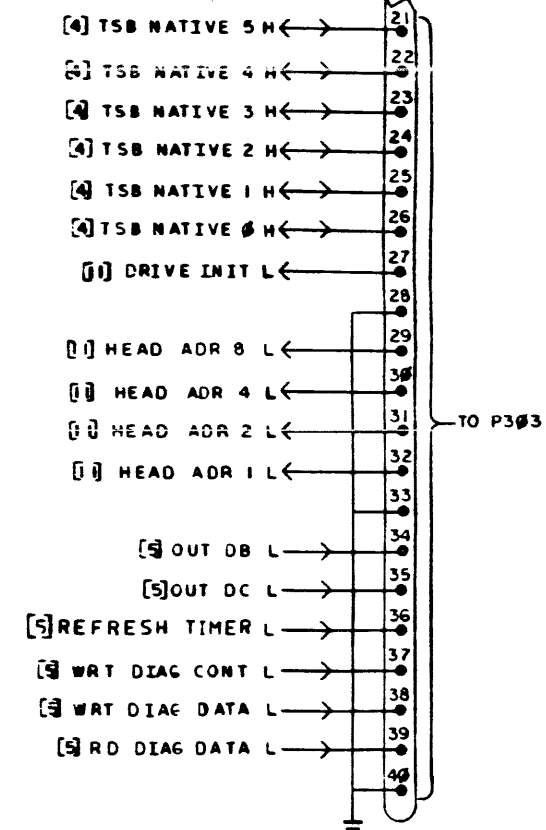
J302
(DESTINATION IS PERSONALITY MODULE J203)



J303
(DESTINATION IS PERSONALITY MODULE J204)



J303
(CONT)



REVISION HISTORY	REV	C
DATE	DESCRIPTION	
1987	...	

DATE	BY	REV	TITLE
18 Jun 79	K. G. ...	1	RA80 digital MICRO (UPI) PROCESSOR
5 Aug 79	W. M. ...	2	
DOCUMENT NUMBER			DCS 5415234-01 C
8-00-5415234-0			17

8

7

6

5

4

3

2

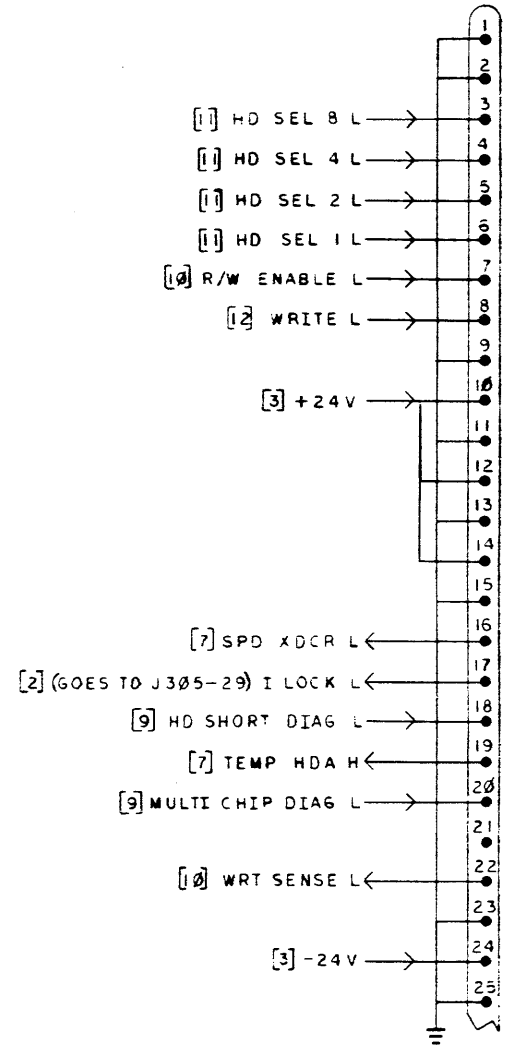
1

THIS DRAWING AND SPECIFICATIONS HEREBY ARE THE PROPERTY OF DIGITAL EQUIPMENT CORPORATION AND SHALL NOT BE REPRODUCED OR COPIED OR USED IN WHOLE OR IN PART AS THE BASIS FOR THE MANUFACTURE OR SALE OF THIS WITHOUT WRITTEN PERMISSION. COPYRIGHT © 1982 DIGITAL EQUIPMENT CORPORATION.

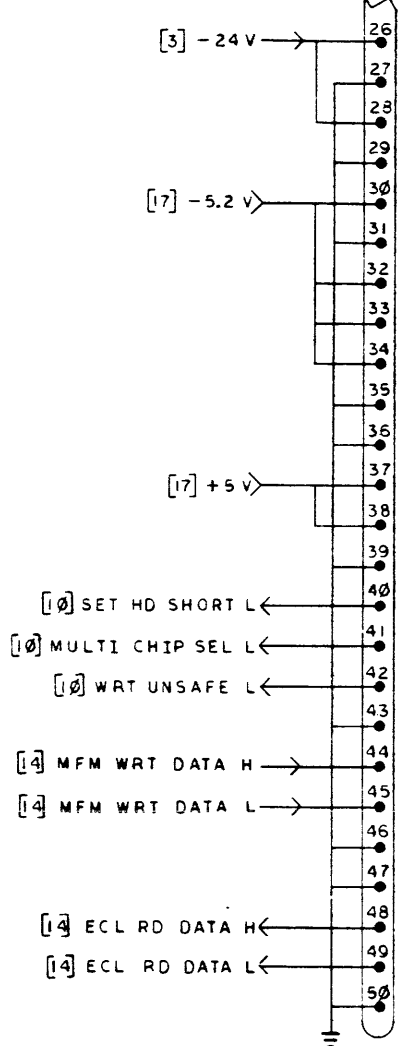
D
C
B
A

D
C
B
A

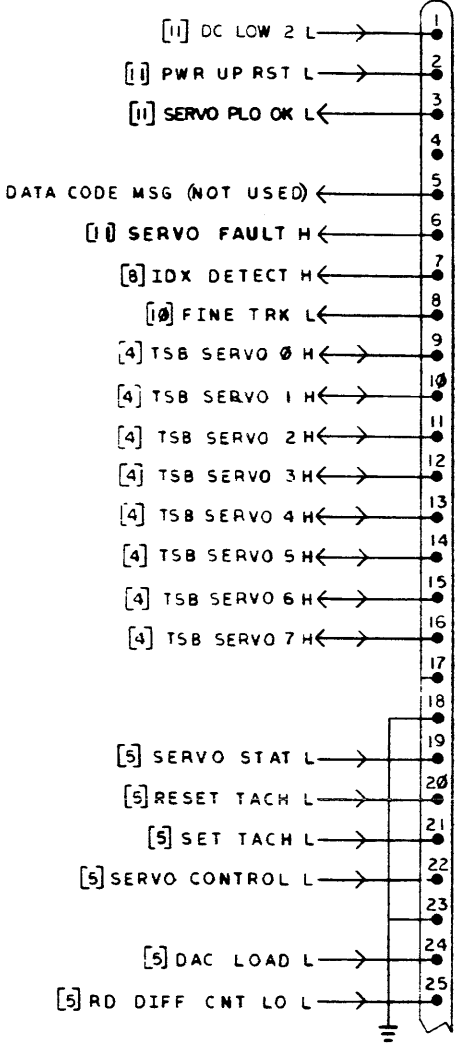
J304
(DESTINATION IS R/W MODULE J502)



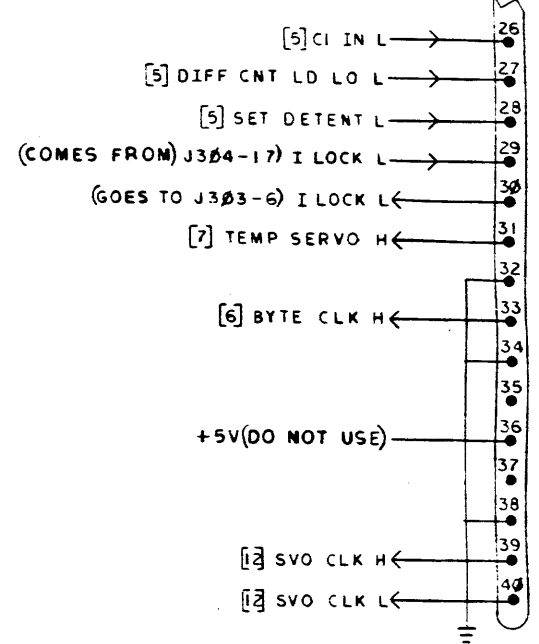
J304
(CONT)



J305
(DESTINATION IS SERVO MODULE J402)



J305
(CONT)



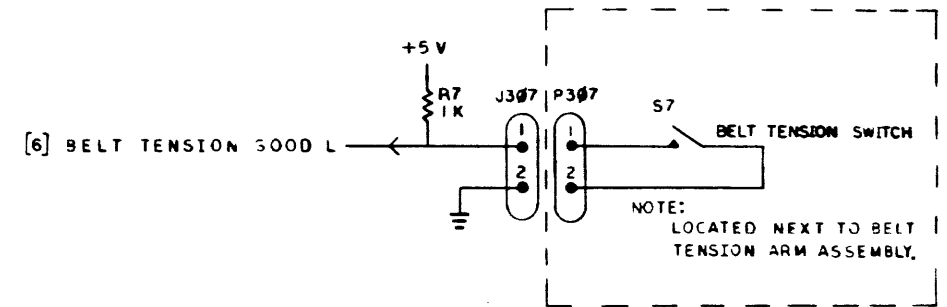
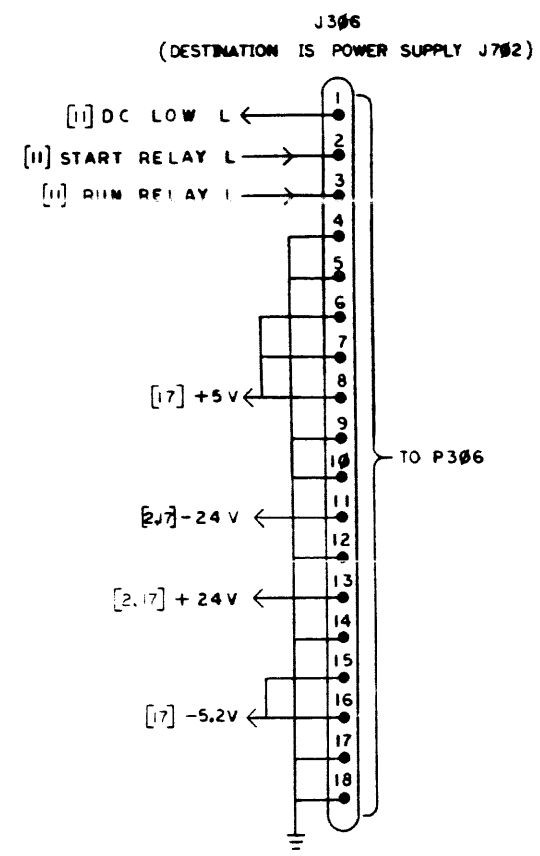
REV	CHANGE NO.	DATE

TITLE PAB0
MICRO PROCESSOR (UP2)

REV	CODE	NUMBER	DATE
D	CS	5415284-0-1	

THE DRAWING AND SPECIFICATIONS HEREIN ARE THE PROPERTY OF DODGE ELECTRONIC CORPORATION AND SHALL NOT BE REPRODUCED OR COPIED OR USED IN WHOLE OR IN PART AS THE BASIS FOR THE MANUFACTURE OR SALE OF PRODUCTS WITHOUT WRITTEN PERMISSION. COPYRIGHT © 1982 DODGE ELECTRONIC CORPORATION

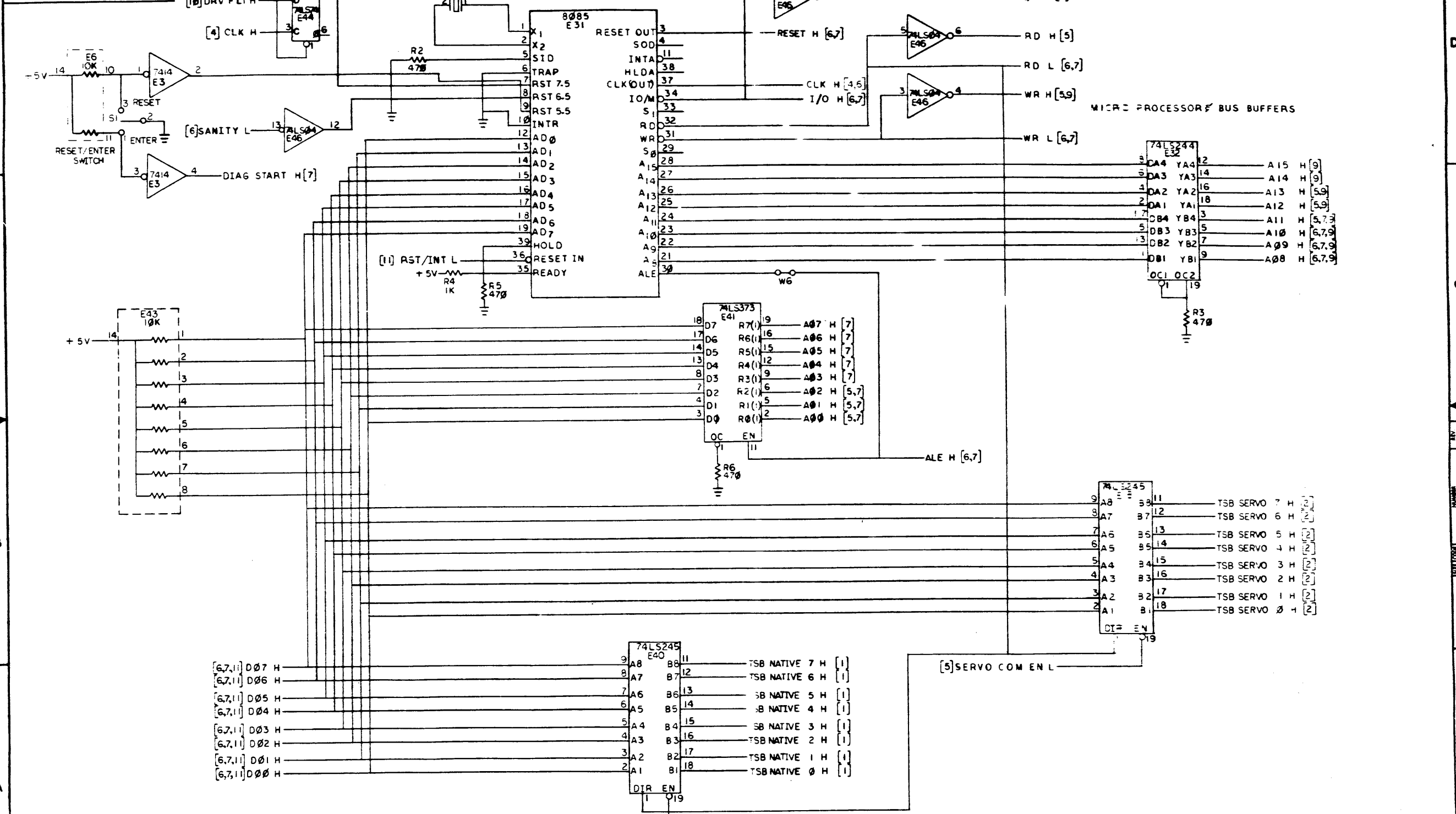
F0-h8251h5 2



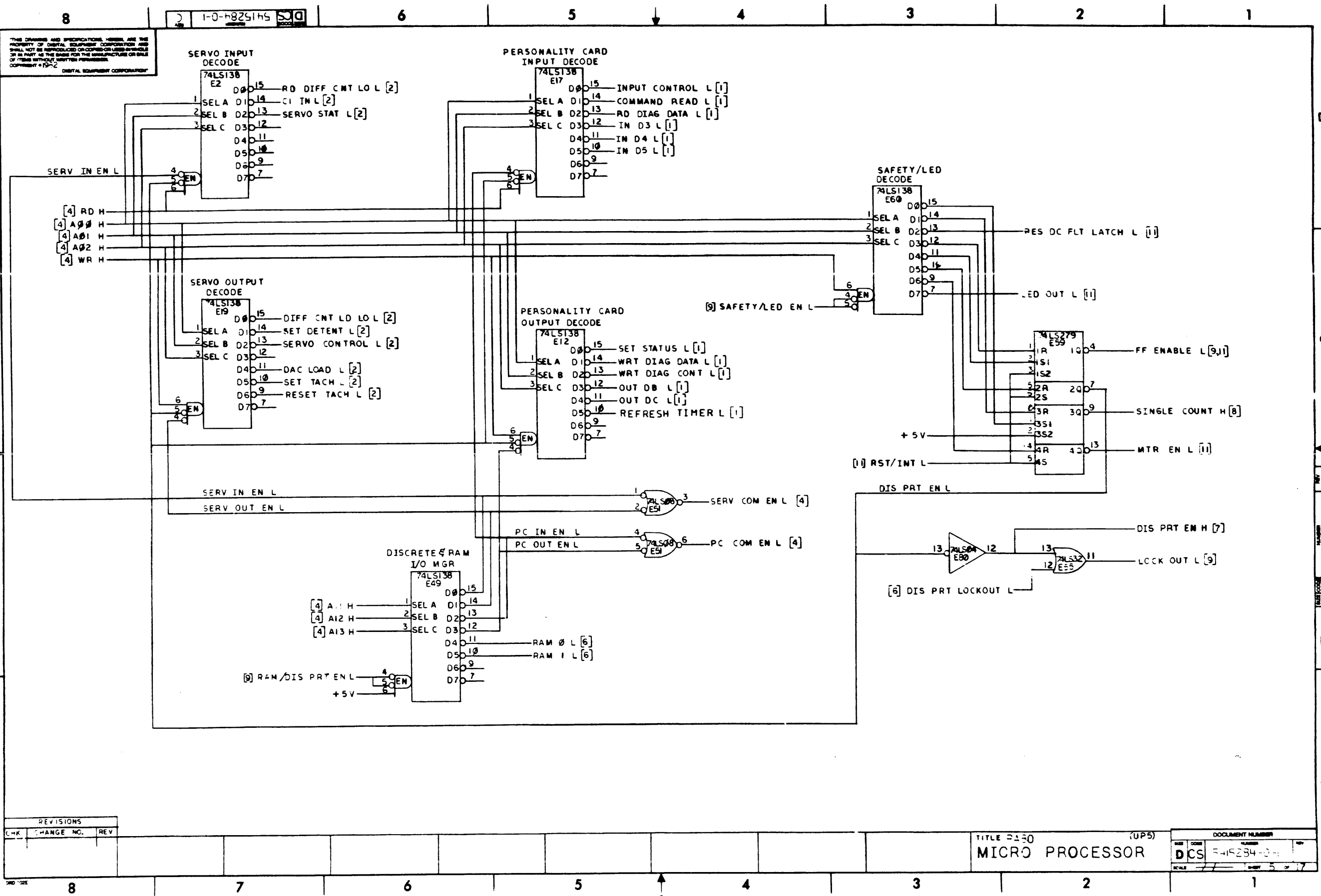
REVISIONS		
CHK	CHANGE NO.	REV.

DCS 5415284-0-1

THIS DRAWING AND SPECIFICATIONS HEREIN ARE THE PROPERTY OF DIGITAL EQUIPMENT CORPORATION AND SHALL NOT BE REPRODUCED OR COPIED OR USED IN WHOLE OR IN PART AS THE BASIS FOR THE MANUFACTURE OR SALE OF ITEMS WITHOUT WRITTEN PERMISSION. COPYRIGHT © 1982 DIGITAL EQUIPMENT CORPORATION.



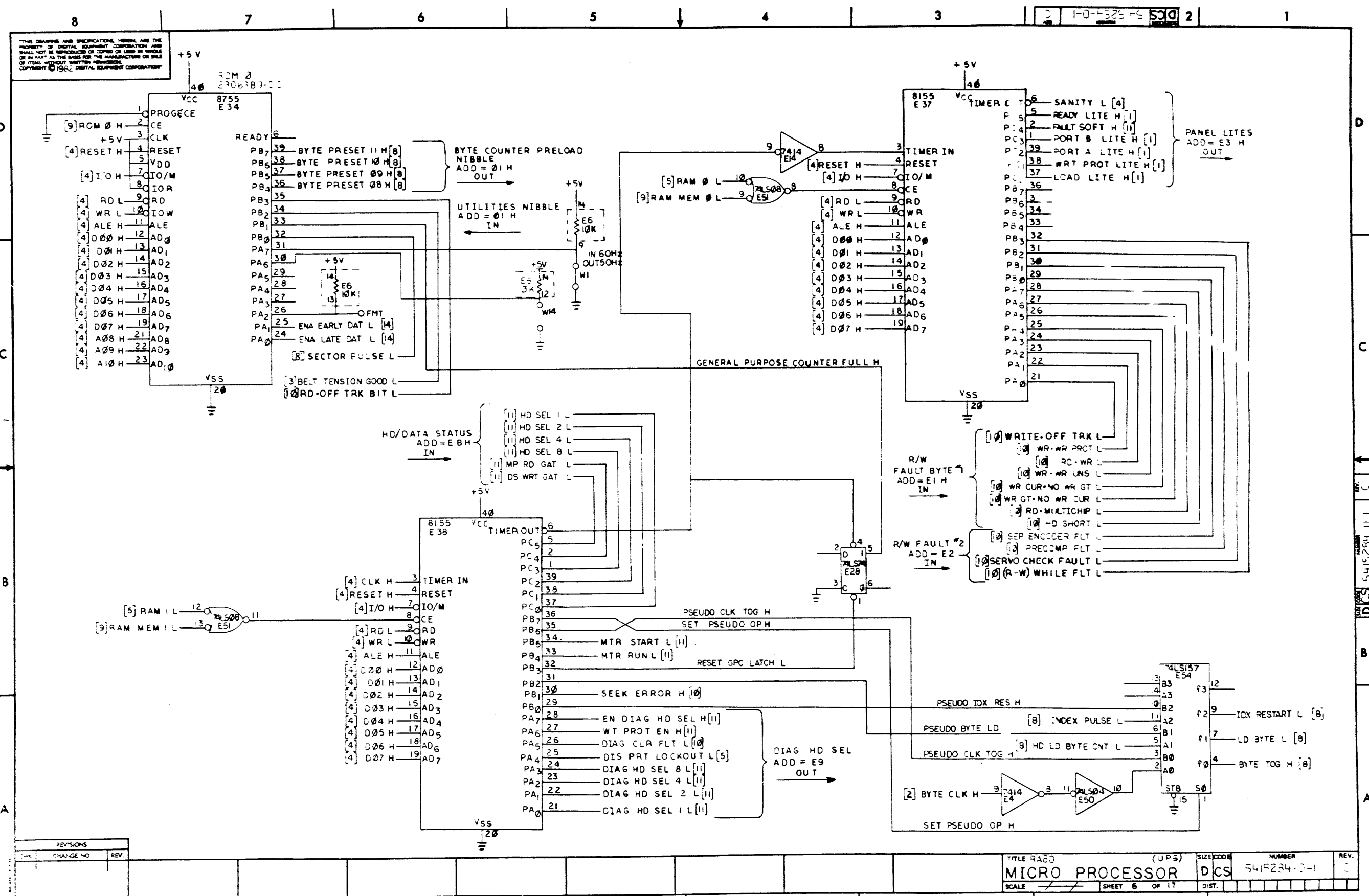
REVISIONS		TITLE: R150		NUMBER: (UP4) 541F284-0-1		REV: 1	
CHK	CHANGE NO.	SCALE	SHEET	OF	DIST.		
			4	17			



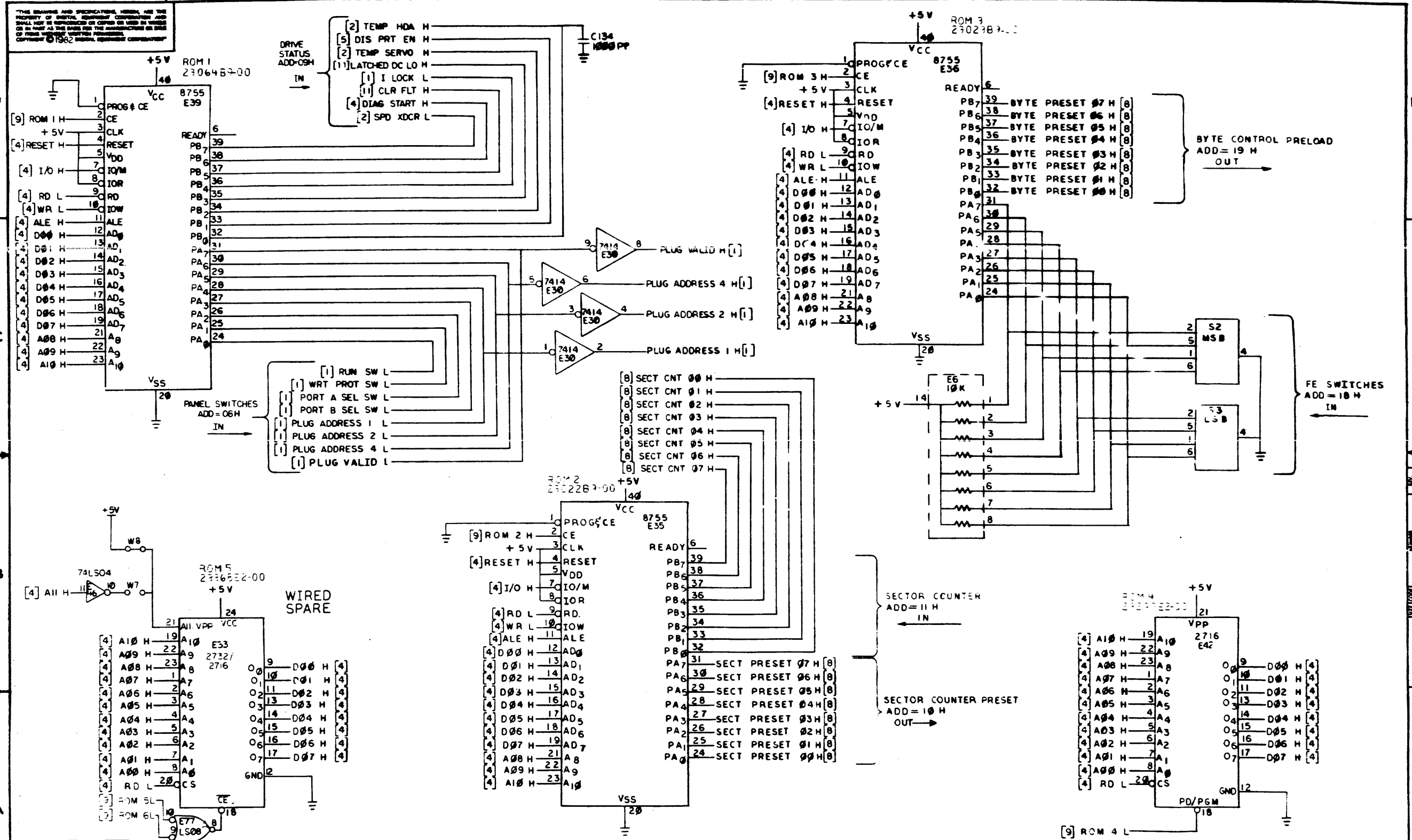
REVISIONS		
CHK	CHANGE NO.	REV

TITLE D150 (UP5)
MICRO PROCESSOR

DOCUMENT NUMBER	
DCS	5415284-0-1
SCALE	5/17



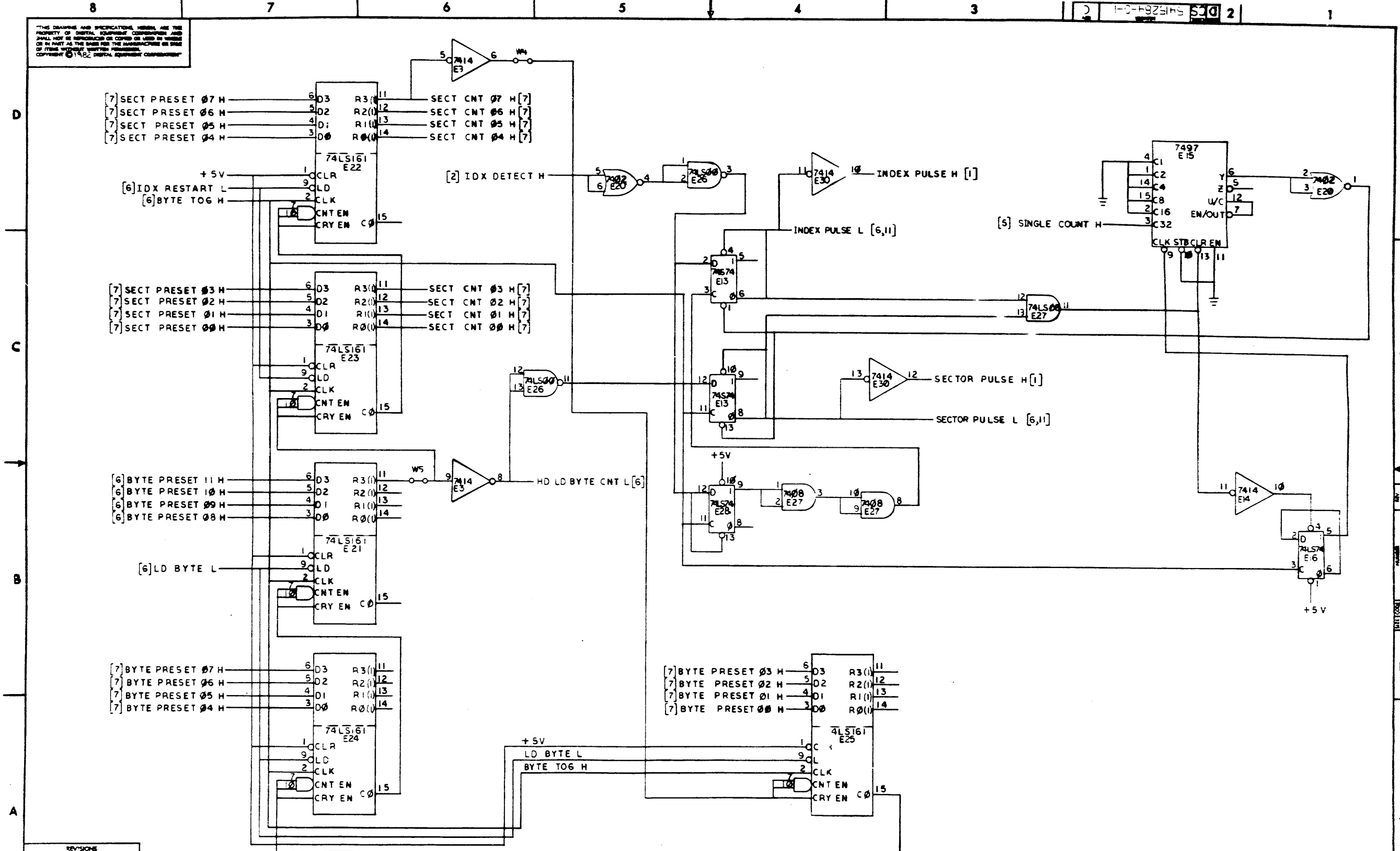
REV.	CHANGE NO.	REV.



REVISIONS			TITLE RAB0 (UP?)		NUMBER		REV.	
CHK	CHANGE NO.	REV.	MICRO PROCESSOR		DCS	5415284-3		
			SCALE		SHEET	7	OF	17

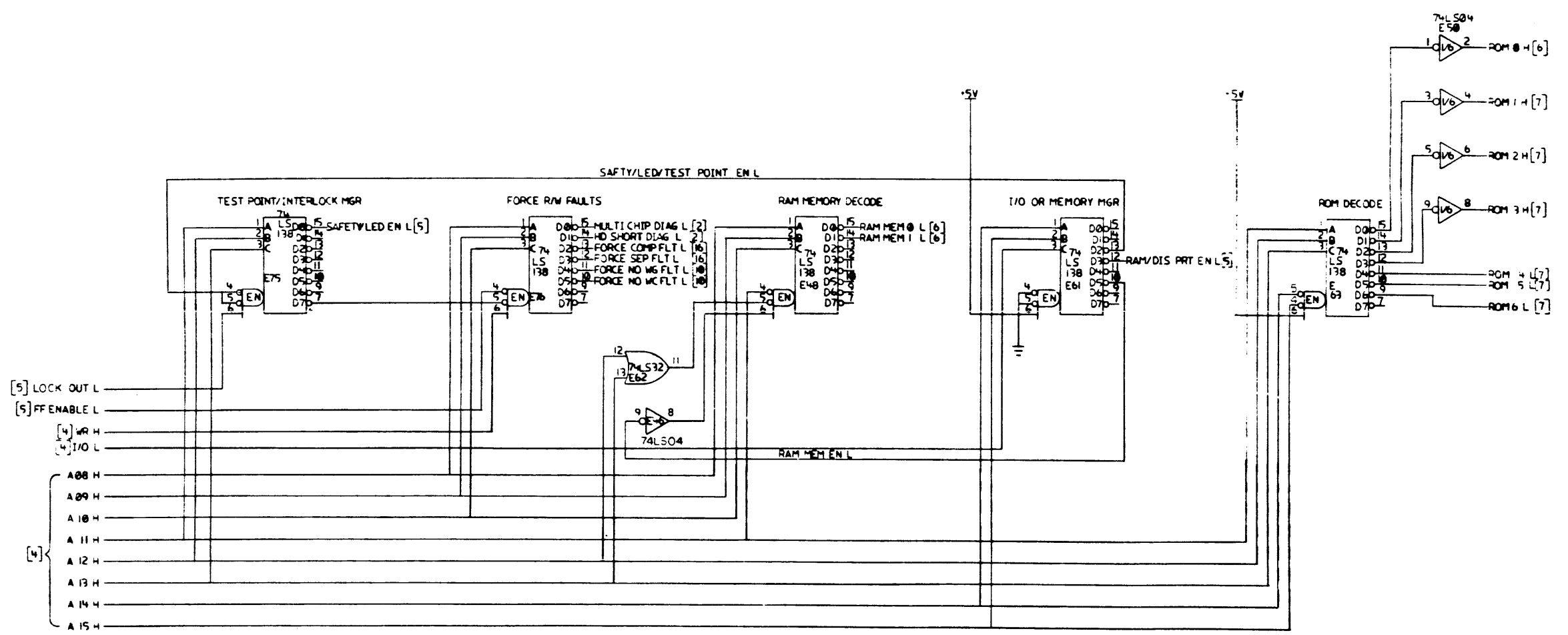
5415284 D-1

THE DRAWING AND SPECIFICATIONS HEREIN ARE THE PROPERTY OF DIGITAL EQUIPMENT CORPORATION AND SHALL NOT BE REPRODUCED OR COPIED OR USED IN WHOLE OR IN PART AS THE BASIS FOR THE MANUFACTURE OR SALE OF ITEMS WITHOUT WRITTEN PERMISSION. COPYRIGHT © 1972 DIGITAL EQUIPMENT CORPORATION



REVISIONS		
CHK	CHANGE NO.	REV.

THIS DRAWING AND SPECIFICATIONS HEREIN ARE THE PROPERTY OF DIGITAL EQUIPMENT CORPORATION AND SHALL NOT BE REPRODUCED OR COPIED OR USED IN WHOLE OR IN PART AS THE BASIS FOR THE MANUFACTURE OR SALE OF ITEMS WITHOUT WRITTEN PERMISSION.
 COMMENT # 1982 DIGITAL EQUIPMENT CORPORATION

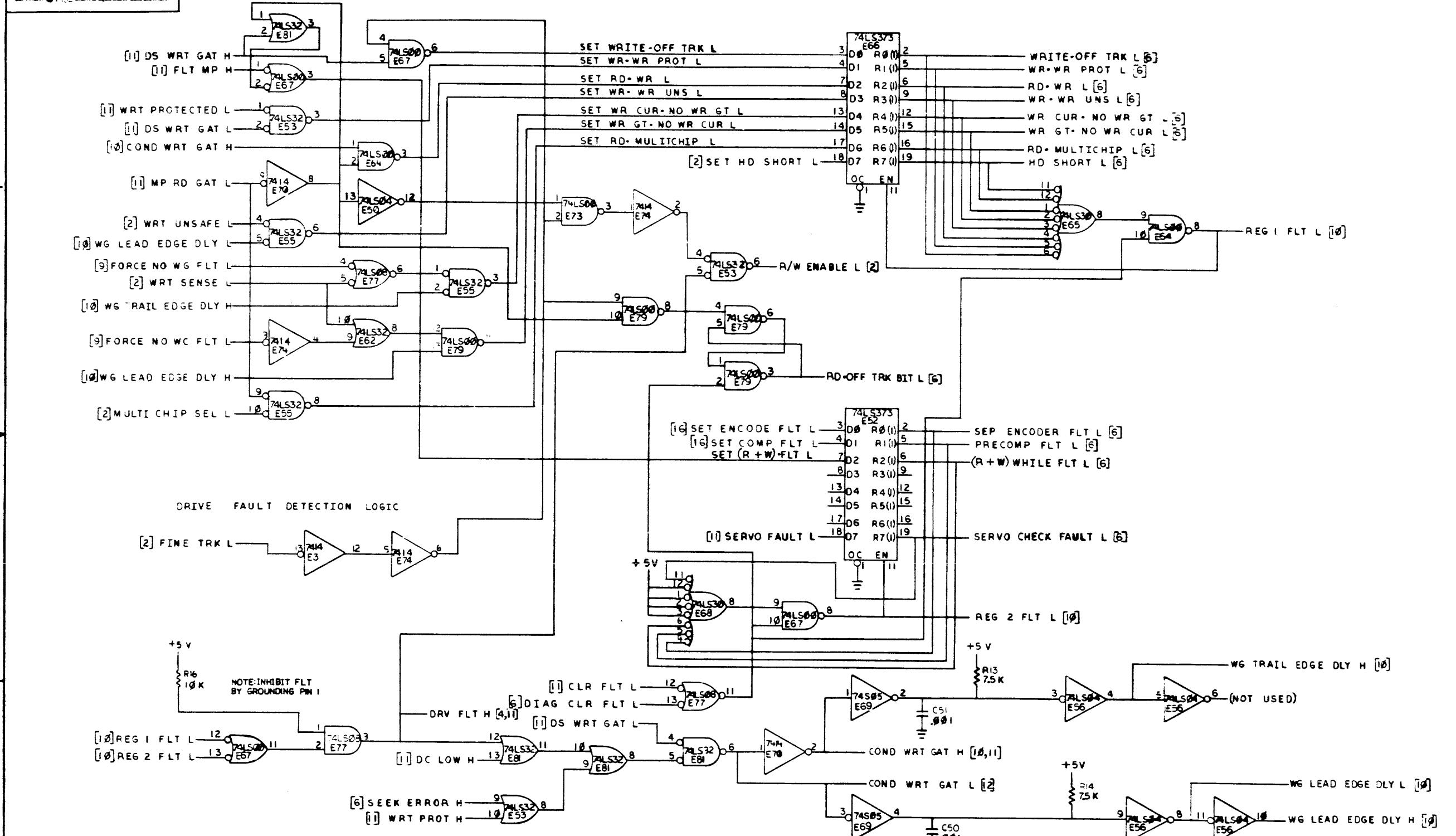


REVISION HISTORY		
DATE	ECO NUMBER	REV.

TITLE RA80
 MICRO PROCESSOR

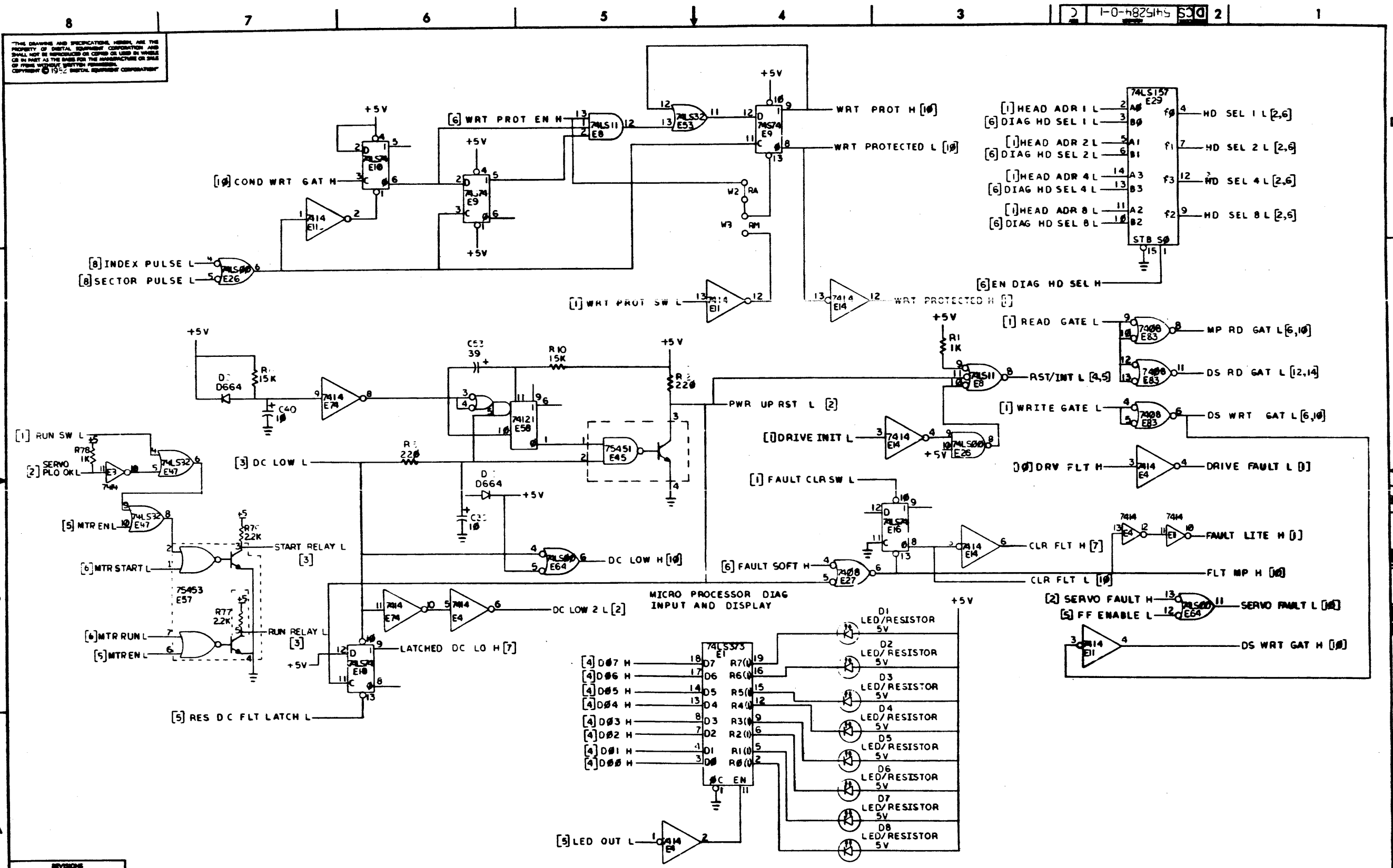
DOCUMENT NUMBER		
SIZE	CODE	NUMBER
DCS	5415284-01	C
SCALE	SHEET 9 OF 17	

THIS DRAWING AND SPECIFICATIONS HEREIN ARE THE PROPERTY OF DIGITAL EQUIPMENT CORPORATION AND SHALL NOT BE REPRODUCED OR COPIED OR USED IN WHOLE OR IN PART AS THE BASIS FOR THE MANUFACTURE OR SALE OF ITEMS WITHOUT WRITTEN PERMISSION OF DIGITAL EQUIPMENT CORPORATION.



REVISIONS		
CHK	CHANGE NO.	REV.

REV. C 54-5284-0-1 DCS



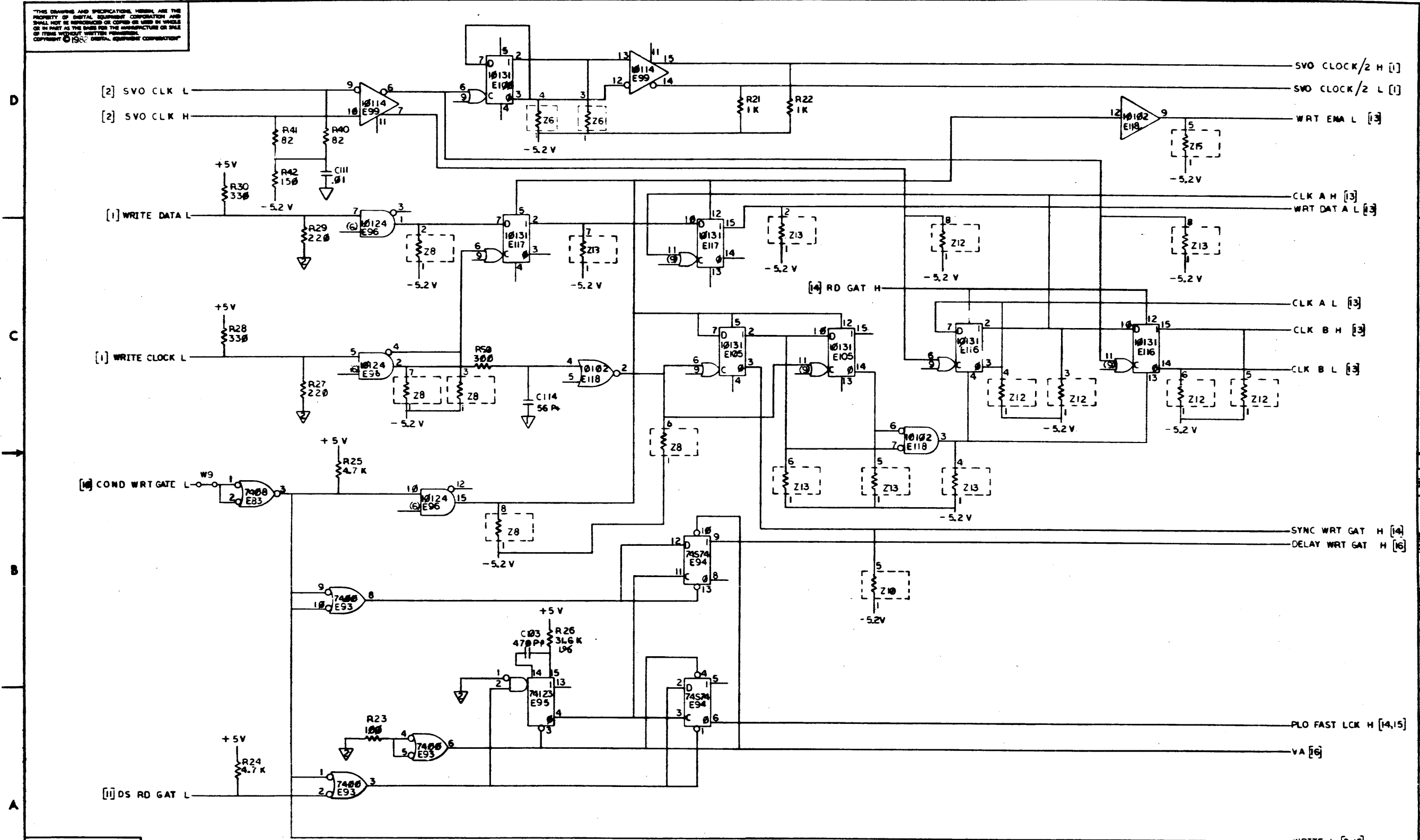
REV.	CHANGE NO.	REV.

TITLE	RABO	(U P 11)	SIZE	CODE	NUMBER	REV.
MICRO PROCESSOR			DCS		5415284-0-1	C
SCALE		SHEET	11	OF	17	DIST.

DCS 5415284-0-1

THIS DRAWING AND SPECIFICATIONS HEREIN ARE THE PROPERTY OF DIGITAL EQUIPMENT CORPORATION AND SHALL NOT BE REPRODUCED OR COPIED OR USED IN WHOLE OR IN PART AS THE BASIS FOR THE MANUFACTURE OR SALE OF ITEMS WITHOUT WRITTEN PERMISSION. COPYRIGHT © 1972 DIGITAL EQUIPMENT CORPORATION

I-O-49251HS 500 2



REVISIONS		
CHK	CHANGE NO.	REV.

TITLE R480		(U12)	SIZE CODE	DOCUMENT NUMBER	REV.
MICRO PROCESSOR			DCS	5415284-0-1	C
SCALE	SHEET 12 OF 17	DIST.			

DCS 5415284-0-1

8

1-0-h8251h5 S D

6

5

4

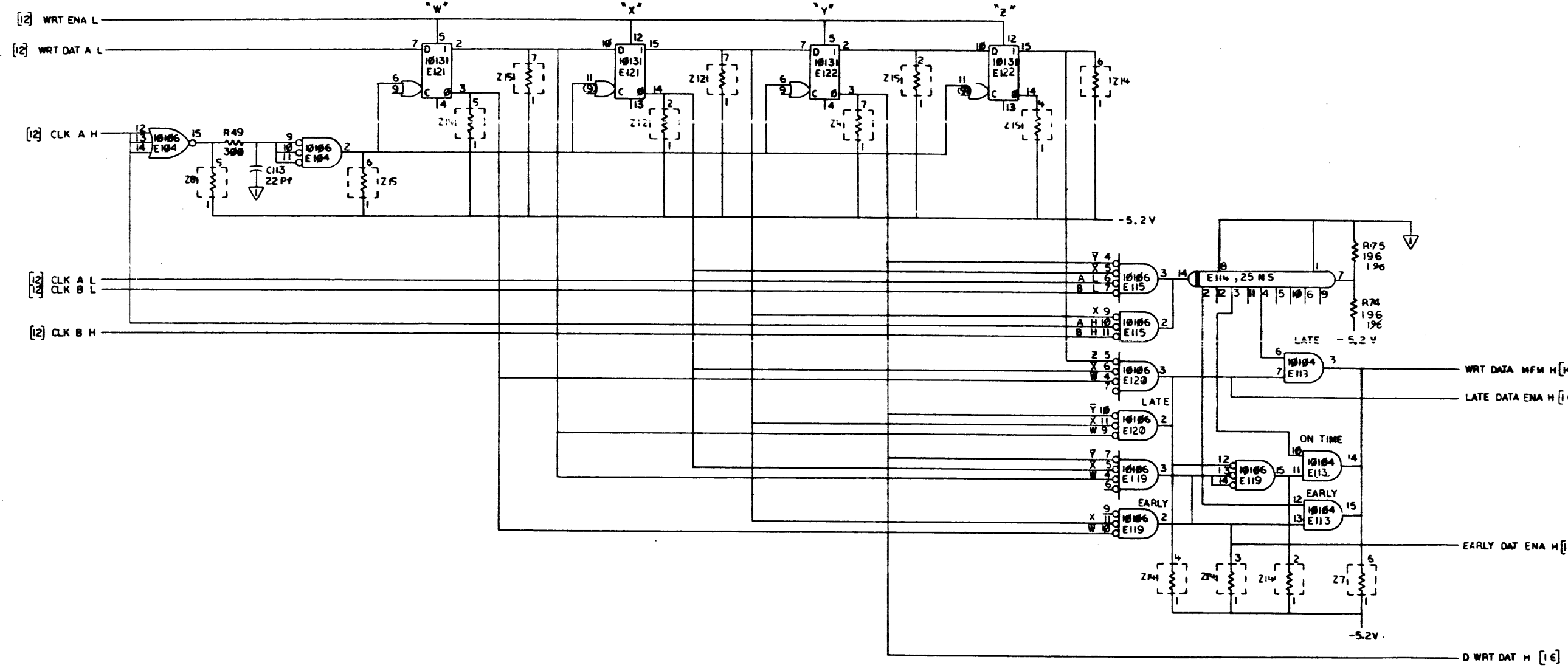
3

2

1

THE DRAWING AND SPECIFICATIONS HEREIN ARE THE PROPERTY OF DIGITAL EQUIPMENT CORPORATION AND SHALL NOT BE REPRODUCED OR COPIED IN WHOLE OR IN PART AS THE BASIS FOR THE MANUFACTURE OR SALE OF ITEMS WITHOUT WRITTEN PERMISSION. COPYRIGHT © 1972 DIGITAL EQUIPMENT CORPORATION.

WRITE ENCODER



REV.	
ECO NUMBER	
DATE	

TITLE		RA80 digital
MICRO PROCESSOR		(LP13)
DOCUMENT NUMBER		D CS 5415284-0-1 C
PAGE		13 of 17

8

7

6

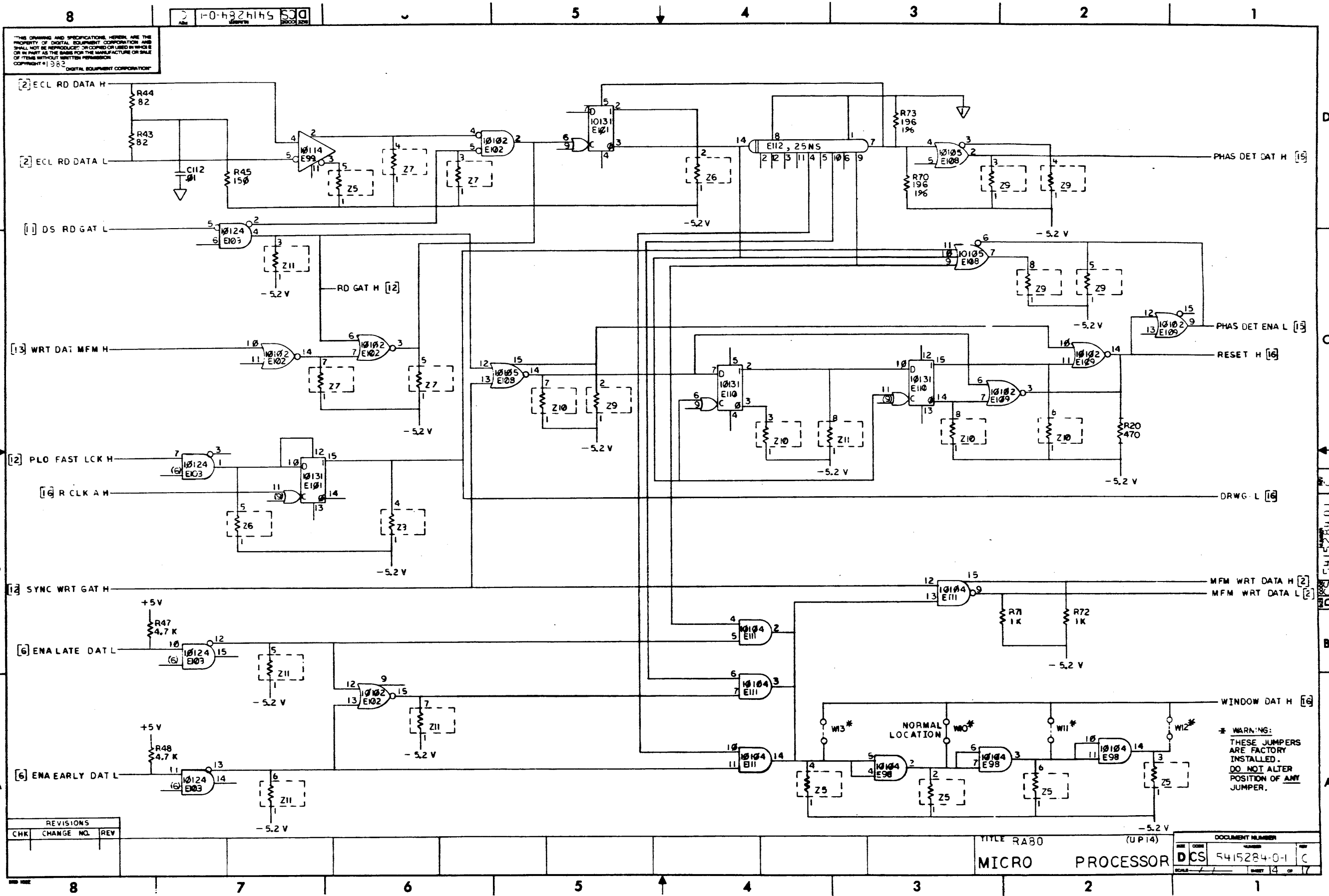
5

4

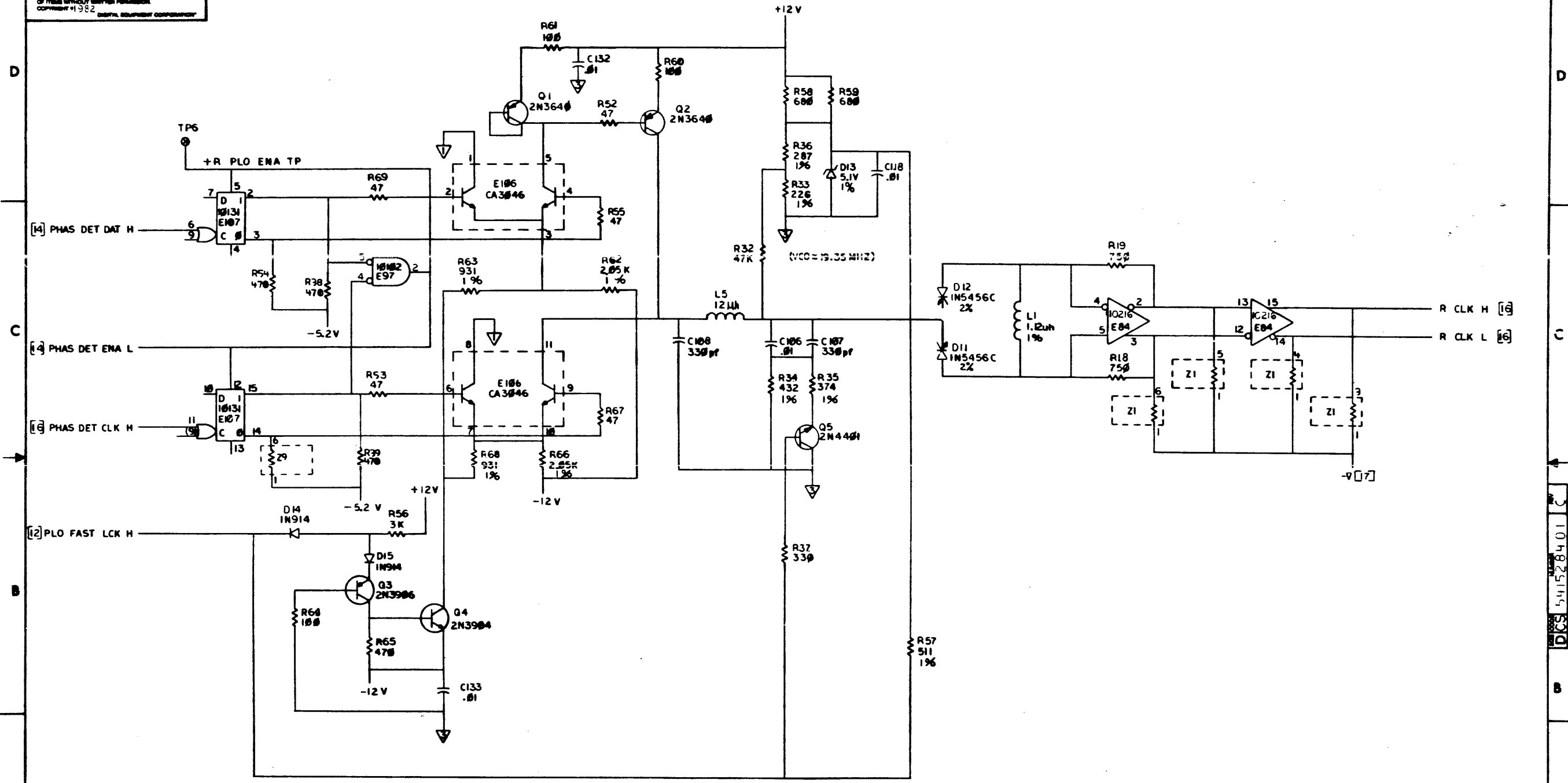
3

2

1



THIS DRAWING AND SPECIFICATIONS HEREIN ARE THE PROPERTY OF DIGITAL EQUIPMENT CORPORATION AND SHALL NOT BE REPRODUCED OR COPIED OR USED IN WHOLE OR IN PART AS THE BASIS FOR THE CONSTRUCTION OR SALE OF THIS WITHOUT WRITTEN PERMISSION. COPYRIGHT © 1982 DIGITAL EQUIPMENT CORPORATION



REVISIONS		
CHK	CHANGE NO.	REV

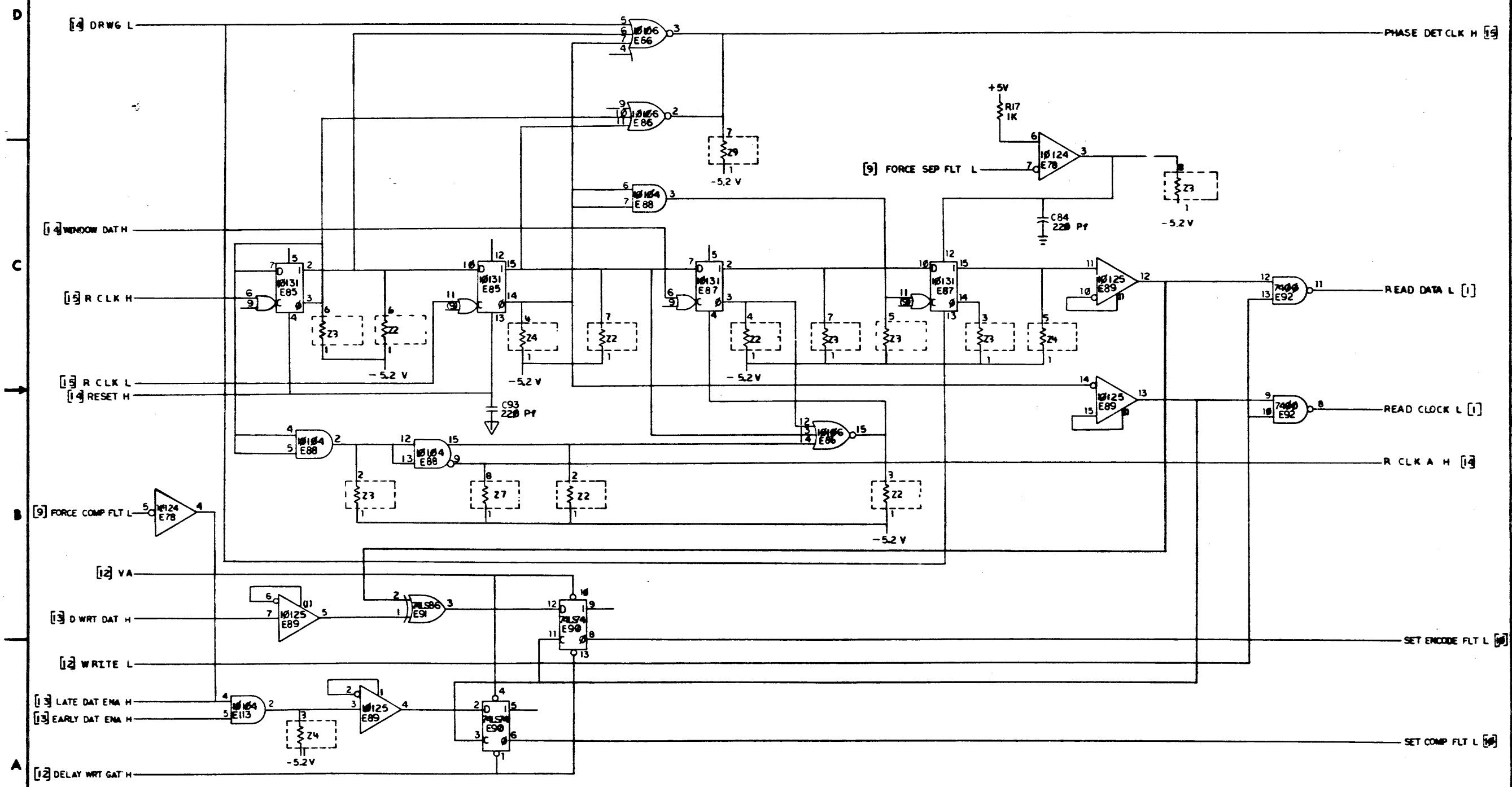
TITLE RA80 (UPI5)
MICRO PROCESSOR

DOCUMENT NUMBER		
D	CS 5415284-0-1	C

DCS 5415284-0-1 C

THE DRAWING AND SPECIFICATIONS HEREIN ARE THE PROPERTY OF GENERAL ELECTRIC COMPANY AND SHALL NOT BE REPRODUCED OR USED IN WHOLE OR IN PART AS THE BASIS FOR THE MANUFACTURE OR SALE OF THIS EQUIPMENT WITHOUT PERMISSION. COPYRIGHT © 1982

1-0-48251H9 SCD 2



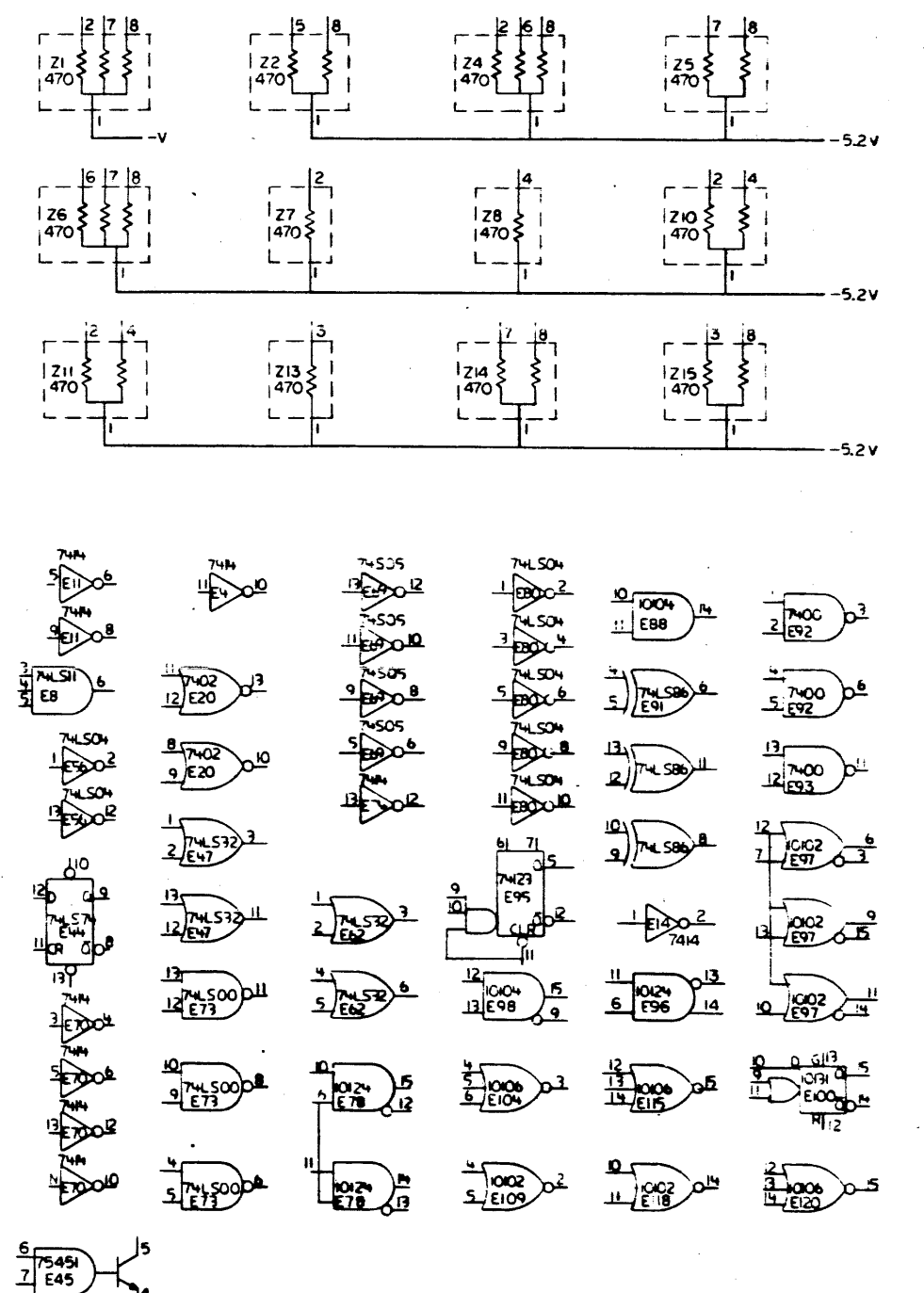
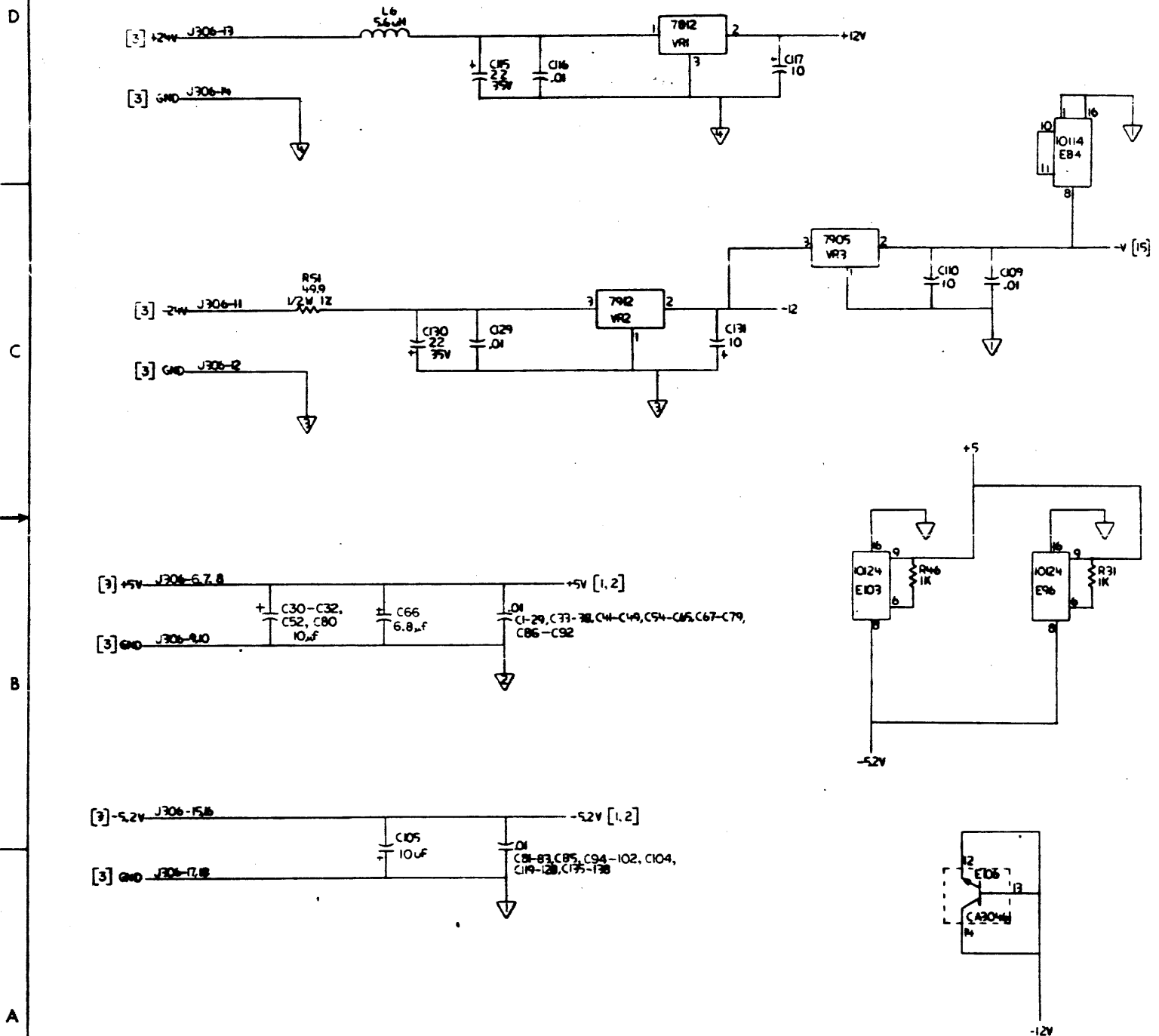
REVISIONS		
CHK	CHANGE NO.	REV.

DCS 5415284-0-1 C

ALL DRAWING AND SPECIFICATION SHEETS ARE THE PROPERTY OF "DIGITAL EQUIPMENT CORPORATION" AND SHALL NOT BE REPRODUCED OR COPIED OR USED IN WHOLE OR IN PART AS THE BASIS FOR THE MANUFACTURE OR SALE OF ANY EQUIPMENT WITHOUT WRITTEN PERMISSION. COPYRIGHT © 1983 DIGITAL EQUIPMENT CORPORATION

1-0-48251HS 50 d 2

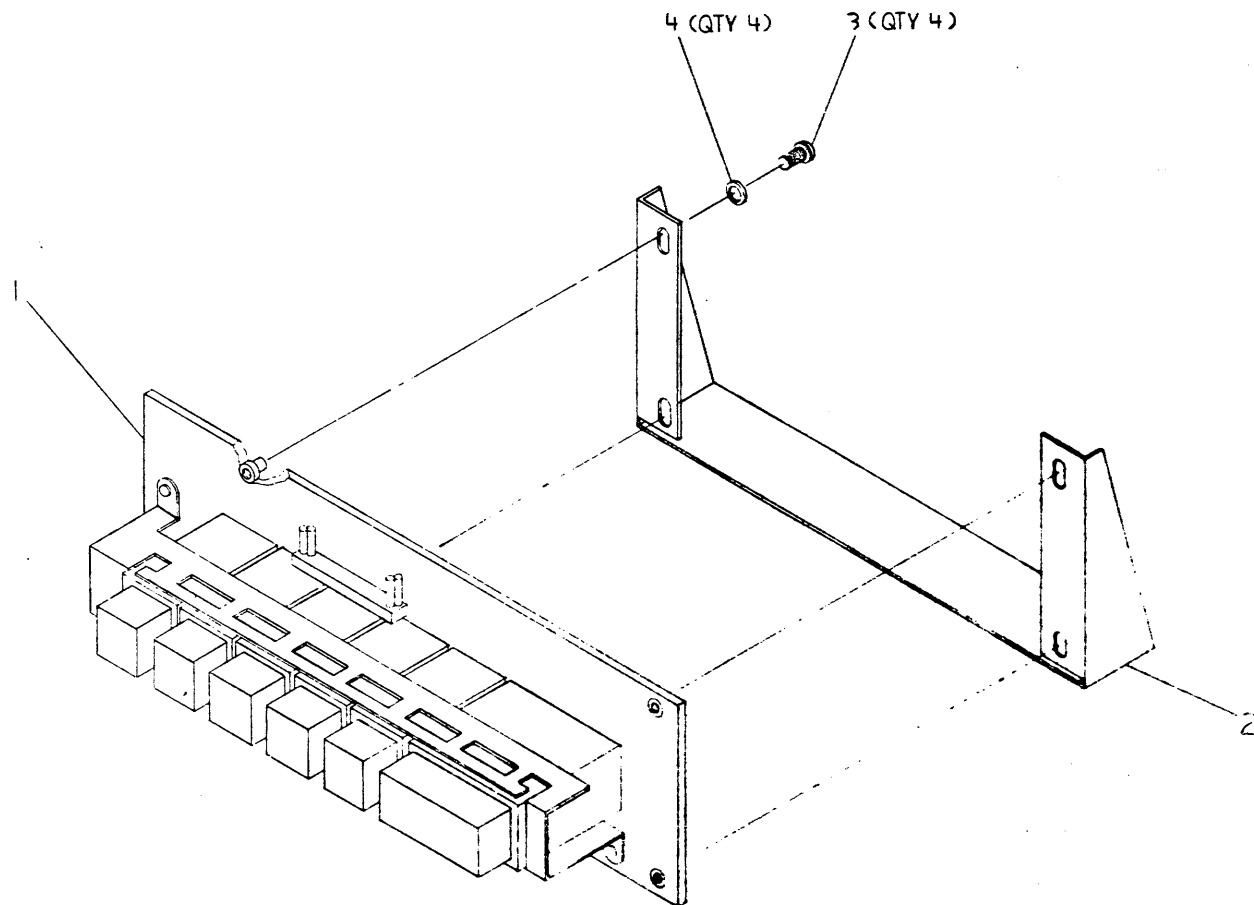
SPARES



REVISIONS		
CHK	CHANGE NO	REV

THIS DRAWING AND SPECIFICATIONS HEREIN ARE THE PROPERTY OF DIGITAL EQUIPMENT CORPORATION AND SHALL NOT BE REPRODUCED OR COPIED OR USED IN WHOLE OR IN PART AS THE BASIS FOR THE MANUFACTURE OR SALE OF ITEMS WITHOUT WRITTEN PERMISSION.
 COPYRIGHT © 1980, DIGITAL EQUIPMENT CORPORATION

REV A
 DAD 7018324-0-0



CAUTION: OFF-SHEET PARTS LIST EXISTS. SEE K-PL-7018324-0-DBP (Z1743).

DATE	REV.	ECO NUMBER
	A	

RELEASED TO ECO CONTROL PER PCO RAB07044

DESCRIPTION	DRAWING NO.	PART NO.	ITEM NO.				
UNLESS OTHERWISE SPECIFIED DIMENSIONS ARE IN INCHES AND THE FOLLOWING TOLERANCES APPLY (PER DEC STD 114)							
INCHES TOLERANCES	ANGLES ± 0° 30'	DIMENSION RANGE IN INCHES					
		OVER 0 TO 0.2	OVER 0.2 TO 1.2	OVER 1.2 TO 4.0	OVER 4.0 TO 12.0	OVER 12.0 TO 40.0	OVER 40.0 TO 80.0
XX = ± .02	SURFACE QUALITY	(CHECK ONE)	± .02	± .05	± .10	± .15	± .20
XXX = ± .005	✓	<input type="checkbox"/>	± .004	± .008	± .012	± .016	± .024
QUANTITY & VARIATION	MICROINCHES	<input type="checkbox"/>					
THIRD ANGLE PROJECTION	DATE	TITLE		digital			
DO NOT SCALE DRAWING	15 SEPT 80	OPERATOR CONTROL PANEL ASSEMBLY					
REMOVE BURRS AND BREAK SHARP CORNERS	DATE	DOCUMENT NUMBER		DAD 7018324-0-0			
MATERIAL	22 SEPT 81	SCALE		1 OF 1			
SEE PARTS LIST	DATE	NEXT HIGHER DOC.		D-AD-7018330-0-0			
FINISH	22 SEPT 81						

LINE	ITEM	DOCUMENT NUMBER	PART NUMBER	DESCRIPTION	QUANTITY PER VARIATION
1	1		5414927-00	OPERATOR CONTROL PANEL	1
2	2	C-MD-7422814-0-0	7422814-00	BRKT, CONTROL PANEL	1
3	3		9009546-00	SCREW,PAN,PHIL,SEMS 4-40X .375L	4
4	4		9006655-00	WASHER, FLAT, .312 O.D. X .125 I	4

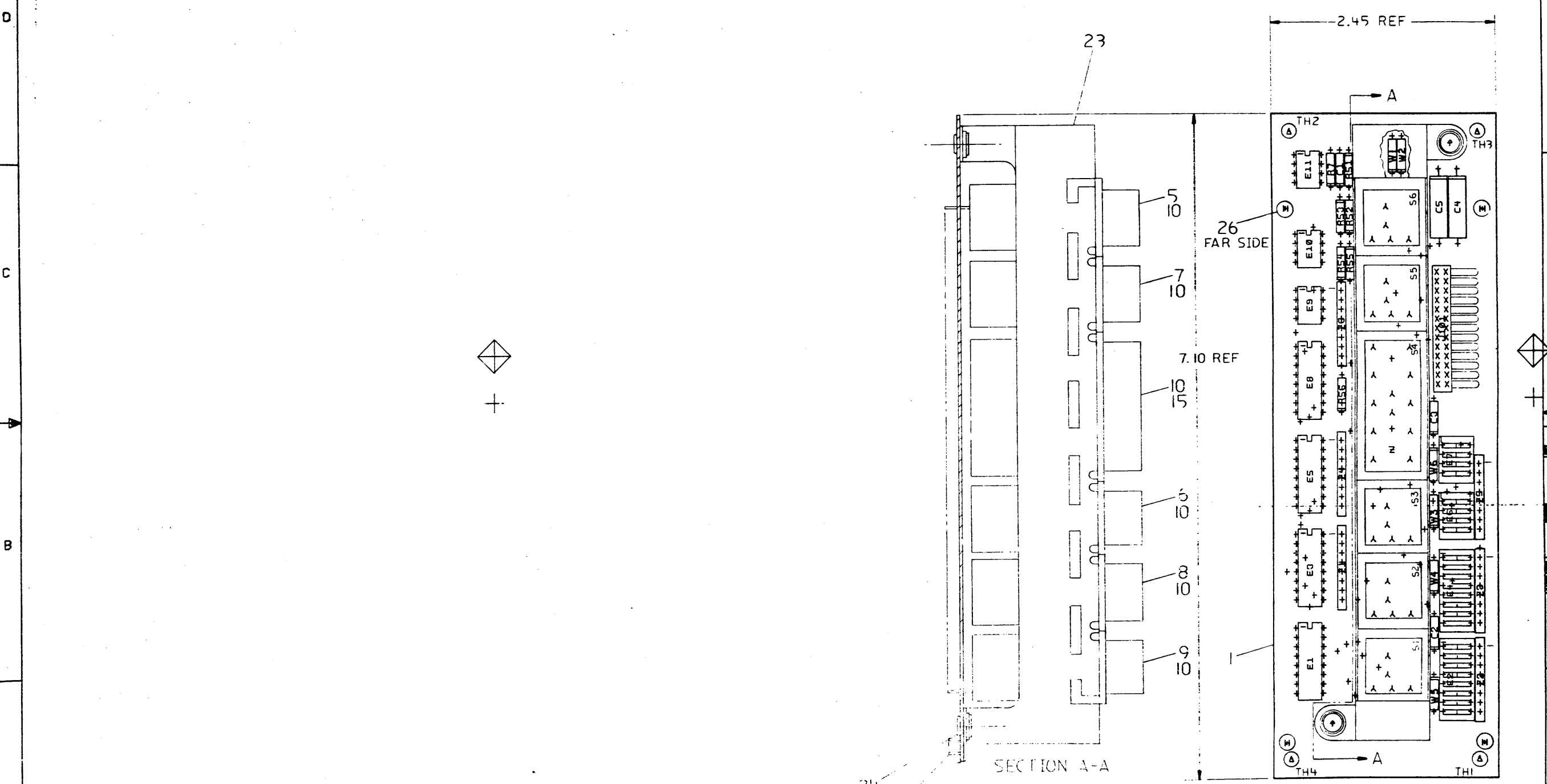
REVISION HISTORY		BASIC PART NO: 7018324		DRN:	DATE:	DIGITAL				
ENG!	ECO NUMBER	REV	SECTION A OF A	CHN'D:	DATE:	TITLE	PARTS LIST			
---	INITIAL	A	SECTION, VARIATION INDEX	W. MAJOR	22 SEP 81	OPERATOR CONTROL PANEL ASSY				
			[A] 00							
			[B]	DES.ENG.: G. NORDBERG	22 SEP 81					
			[C]	RESP.ENG.: W. MAJOR	22 SEP 81	DOCUMENT NUMBER				
			[D]			SIZE CODE NUMBER	REV			
			[E]	MFG.ENG.: B. BASSETT	22 SEP 81	K PL 7018324-0-DBP	A			
			[F]	ASSEMBLY NUMBER:	TOP DOCUMENT NUMBER:	FILE NAME:	EDIT #			
				D-AD-7018324-0-0		Z1743A.PLS	6			

*THIS DRAWING AND SPECIFICATIONS HEREIN, ARE THE PROPERTY OF DIGITAL EQUIPMENT CORPORATION AND SHALL NOT BE REPRODUCED OR COPIED OR USED IN WHOLE OR IN PART AS THE BASIS FOR THE MANUFACTURE OR SALE OF ITEMS WITHOUT WRITTEN PERMISSION. COPYRIGHT (C) 1981, DIGITAL EQUIPMENT CORPORATION *

THIS DRAWING AND SPECIFICATIONS, GENERAL AND THE PROPERTY OF THE COMPANY. REPRODUCTION OR TRANSMISSION IN ANY FORM OR BY ANY MEANS IS PROHIBITED WITHOUT THE WRITTEN PERMISSION OF THE COMPANY. 98: DIGITAL EQUIPMENT CORPORATION

8 7 6 5 4 3 2 1

COMPONENT SIDE VIEW



NOTES: 2VL97

STEP E	→ Y AXIS	STEP	TIMES
REPEAT	→ X AXIS	STEP	TIMES

CHANGE NO	REV
	A

ETCH REV.	
-----------	--

SIGNATURES		DATE	digital
DRN.		1/14/81	
CHK'D.			
MECH. ENG.			TITLE R480 OPER
PROJ. ENG.			CNTRL PANEL
PROD.			
SCALE	2/1	SIZE	CODE NUMBER
SHT.	1 OF 1	D	JA 5414927-0-0
NEXT HIGHER ASSY. B-00-5414927-0			REV
			A

8 7 6 5 4 3 2 1 WO#290044C

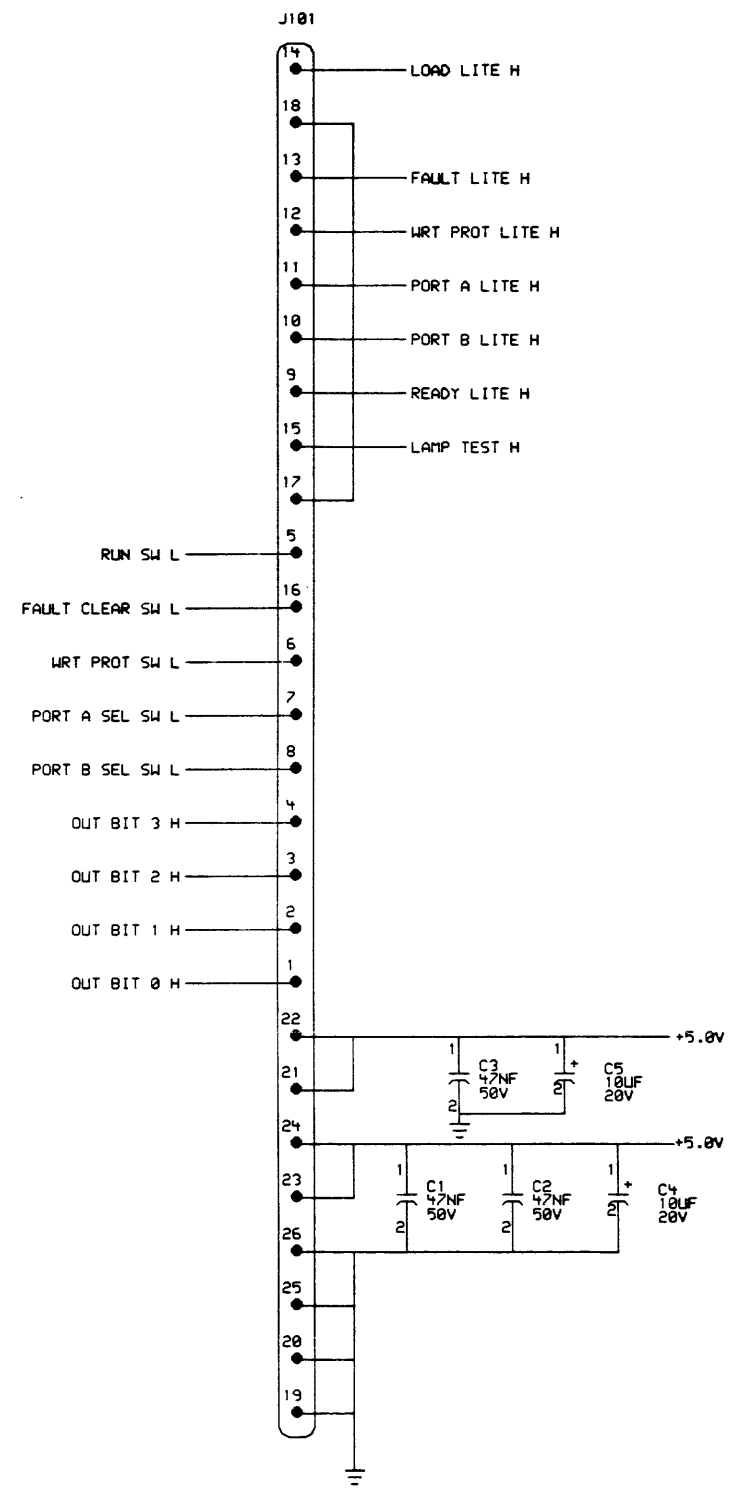
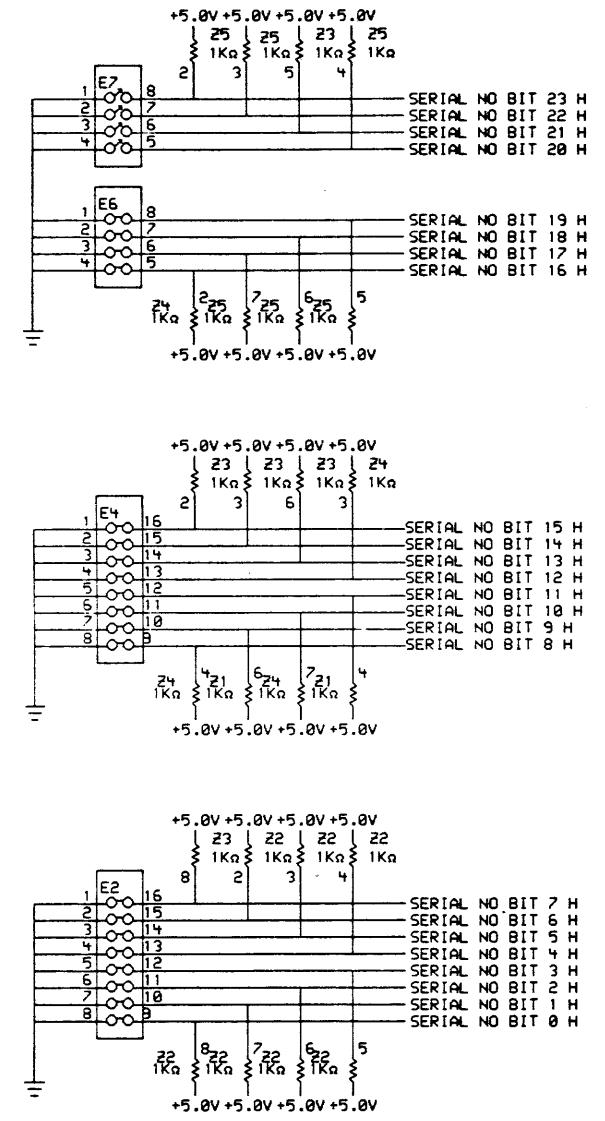
LINE ITEM	DOCUMENT NUMBER	PART NUMBER	DESCRIPTION	QTY PER VARIATION	REFERENCE DESIGNATOR
				00	
1	D-MD-5014926-0-0	5014926-00	DRILL & ETCH BOARD	1	
2		1004813-00	10 MFD 20V 10% S.TANT	2	C4,C5
3		1012784-00	.047 MFD 50V +80-20% CER	3	C1,C2,C3
4		1211164-00	SW,DIP 4POS/1PST 5VDC100MA F	1	E7
5		1212714-00	CAP,PB SW YELLO/BLK "RUN ST	1	X6
6		1212714-01	CAP,PB SW YELLO/BLK "WRITE	1	X3
7		1212714-02	CAP,PB SW RED/BLK "FAULT"	1	X5
8		1212714-03	CAP,PB SW WHITE/BLK "A"	1	X2
9		1212714-04	CAP,PB SW WHITE/BLK "B"	1	X1
10		1212716-00	LAMP,WEDGE,6.3V,.2A,.4MSCP,T1-3/	6	I1,I2,I3,I4,I5,I6
11		1212717-01	SW,PJ 1PDT ALT 2A	4	S1,S2,S3,S6
12		1212717-06	SW,PB,LT 1PDT MDM 2A	1	S5
13		1212965-03	PCP,HEADER 26PIN(2X13).100CC 90D	1	J101
14		1218196-00	SW,ENCODER 256 CODES 10M	1	S4
15		1218199-01	/REPLACED BY 12-18199-00	1	X4
16		1218231-07	SHUNT,DIP 8POS	2	E2,E4
17		1218231-03	SHUNT,DIP 4POS	1	E6
18		1300229-00	100.0 .25 W 5.0 % CF	1	R7
19		1300365-00	1.0 K .25 W 5.0 % CF	6	R51,R52,R53,R54,R55,R56
20		1316254-02	R NETWORK 7-1.0K 2.0 % 8PIN	6	Z1,Z2,Z3,Z4,Z5,Z6
21		1912844-00	LS151 MUX 1 OF 8 & DATA	4	E1,E3,E5,E8
22		1914432-00	75454 DRIVER,PERIPH,DUAL,	3	E9,E10,E11
23	D-MD-7425953-0-0	7425953-01	BRACKET,SWITCH RETAINER	1	
24		9006655-00	WASHER,FLAT SST	2	
25		9006732-00	EYELET,ROLLED 0.1210DX0.219	2	
26		9009113-01	STANDOFF,PC BOARD MOUNTED 4-40	4	
27		9009185-00	JUMPER,WIRE, INSULATED, BLACK 8	6	W1,W2,W3,W4,W5,W6

REVISION HISTORY		BASIC PART NO: 5414927		DRN:	S. BOURBEAU	DATE:	19-JAN-81	DIGITAL			
ENGR	ECO NUMBER	REV	SECTION A OF A	CHK'D:	R. MICHAUD	DATE:	19-JAN-81	OPERATOR CONTROL PANEL			
INITIAL	A	SECTION VARIATION INDEX	CHK'D:	R. MICHAUD	DATE:	19-JAN-81	OPERATOR CONTROL PANEL				
GF	5414927-CX001	B	[A] 00	DES.ENG:	W. SERGEANT	DATE:	19-JAN-81	DOCUMENT NUMBER			
			[B]	RESP.ENG.:	M. RICHISSON	DATE:	19-JAN-81	SIZE	CODE	NUMBER	REV.
			[C]	MFG.ENG.:	D. SWIFT	DATE:	19-JAN-81	K	PL	5414927-0-DBP	B
			[D]	ASSEMBLY NUMBER:		TOP DOCUMENT NUMBER:		FILE NAME:		EDIT #	
			[E]	D-UA-5414927-0-0		# B-DD-5414927-0		Z1541B.PLS		10	
			[F]	"THIS DRAWING AND SPECIFICATIONS HEREIN, ARE THE PROPERTY OF DIGITAL EQUIPMENT CORPORATION AND SHALL NOT BE REPRODUCED OR COPIED OR USED IN WHOLE OR IN PART AS THE BASIS FOR THE MANUFACTURE OR SALE OF ITEMS WITHOUT WRITTEN PERMISSION. COPYRIGHT (C) 1982. DIGITAL EQUIPMENT CORPORATION"							

RPM
15 NOV
82

D
C
B
A

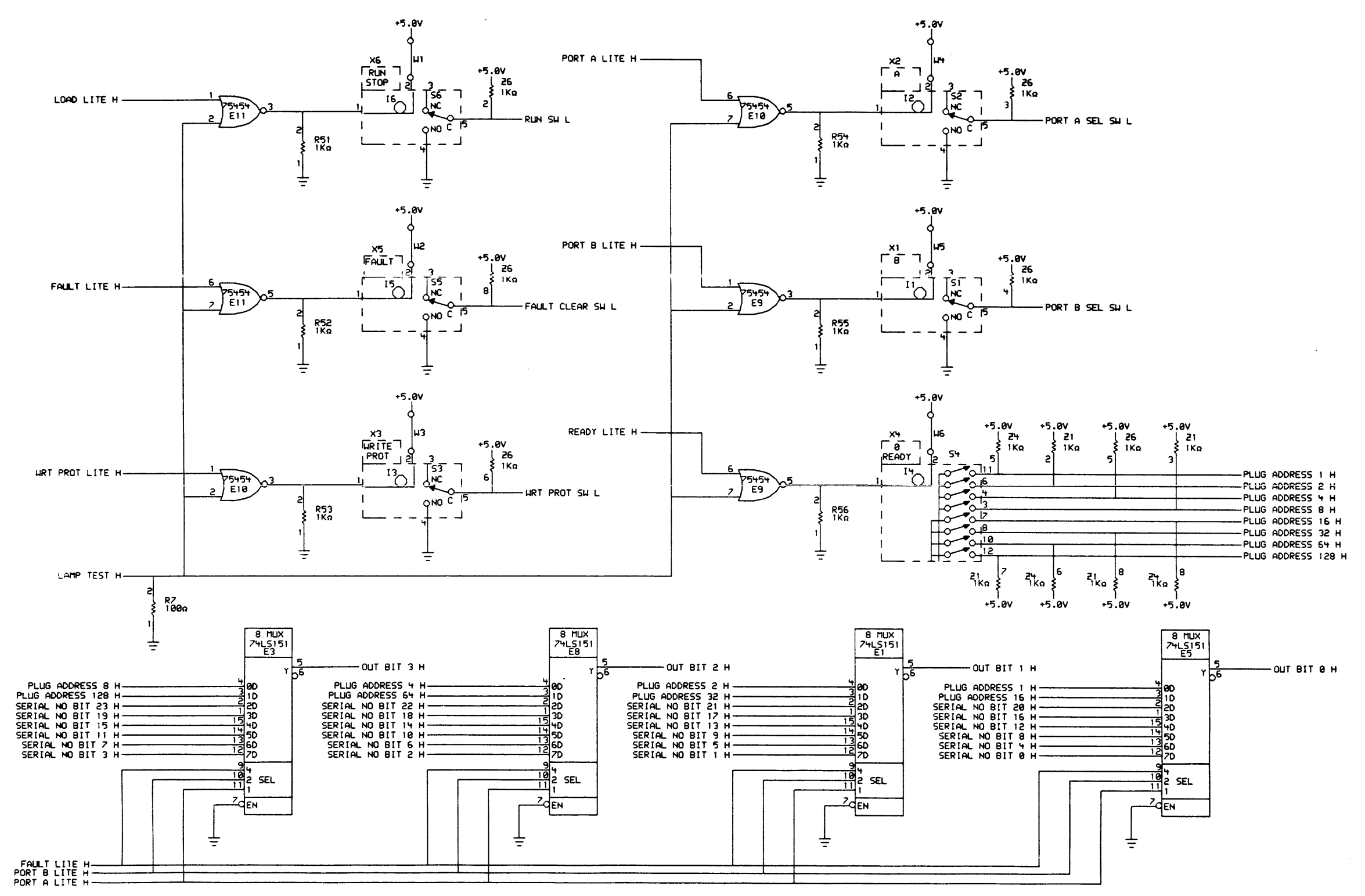
D
C
B
A



THIS DRAWING AND SPECIFICATIONS ARE THE PROPERTY OF DIGITAL EQUIPMENT CORPORATION AND SHALL NOT BE REPRODUCED OR COPIED OR USED IN WHOLE OR IN PART AS THE BASIS FOR THE MANUFACTURE OR SALE OF ITEMS WITHOUT WRITTEN PERMISSION. COPYRIGHT © 1983, DIGITAL EQUIPMENT CORPORATION

REVISIONS		
CHK	CHANGE NO.	REV
2	5-22	3
	1-22	

digital	DRN	DATE	ENG.	DATE	TITLE:
	DRN	01-20-83	Daugherty	5 Jan 83	R80 OPERATOR CONTROL PANEL
PS: <DOUGHERTY>OCP81.DRW (04-JAN-83 14:03)		DATE	BOARD LOCATION:	SHEET 1 OF 2	
FIRST USED ON OPTION MODEL:		NEXT HIGHER ASSEMBLY:		SIZE CODE	NUMBER
		B-DD-5414927-0		K CS	5414927-0-1
					REV.
					B



THIS DRAWING AND SPECIFICATIONS HEREIN ARE THE PROPERTY OF DIGITAL EQUIPMENT CORPORATION AND SHALL NOT BE REPRODUCED OR COPIED OR USED IN WHOLE OR IN PART AS THE BASIS FOR THE MANUFACTURE OR SALE OF ITEMS WITHOUT WRITTEN PERMISSION. COPYRIGHT © 1983, DIGITAL EQUIPMENT CORPORATION.

REV. NO.	DESCRIPTION
1	INITIAL
2	REVISED

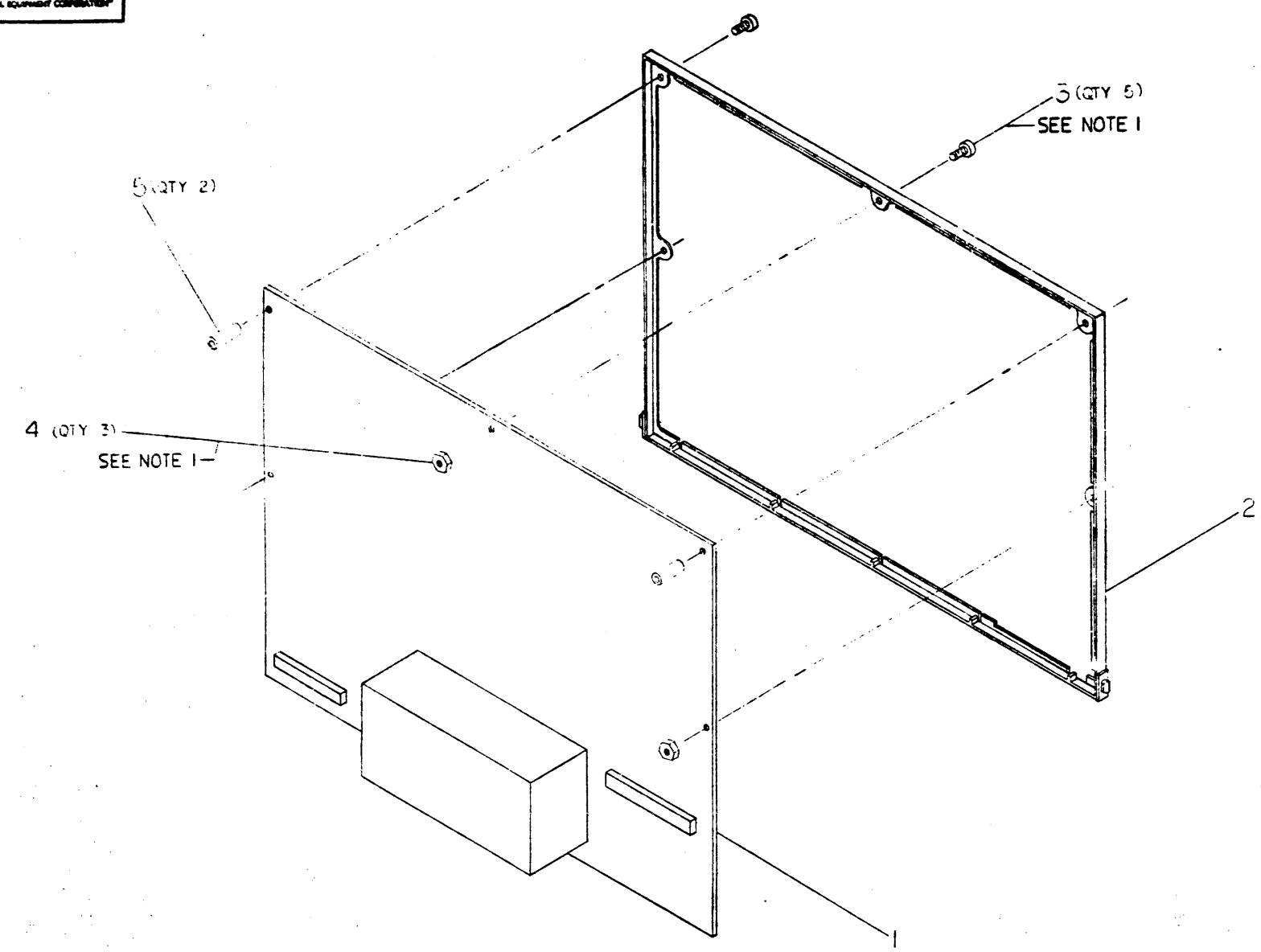
DATE	ENG.	DATE	ENG.	DATE	ENG.	DATE	ENG.
04-JAN-83							

digital	DRN.	DATE	ENG.	DATE	ENG.	DATE	ENG.	TITLE:	R80 OPERATOR CONTROL PANEL
PS: <DOUGHERTY> OCP22.DRW	CHK'D.	04-JAN-83						BOARD LOCATION:	
FIRST USED ON OPTION/MODEL:		14:16						SHEET	2 OF 2
								NEXT HIGHER ASSEMBLY:	B-DD-5414927-0
								SIZE CODE	K CS
								NUMBER	5414927-0-1
								REV.	B

THIS DRAWING AND SPECIFICATIONS HEREIN ARE THE PROPERTY OF DIGITAL EQUIPMENT CORPORATION AND SHALL NOT BE REPRODUCED OR COPIED OR IN WHOLE OR IN PART AS THE BASIS FOR THE MANUFACTURE OR SALE OF ITEMS WITHOUT WRITTEN PERMISSION. COPYRIGHT © 1975, DIGITAL EQUIPMENT CORPORATION

0-0-926910Z 2

NOTES:
1. APPLY (ITEM 6) TO ITEMS 3 AND 4 AFTER ASSEMBLY.



CAUTION: OFF-SHEET PARTS LIST EXISTS -
SEE K-PL-7016976-0-DBP (Z1094).

REV.	DATE	BY	CHKD.
*	18 JAN 80		
A			
B			

RELEASED TO
ECO CONTROL
PCO R80-585
18 JAN 80

359 7016976-CAD001
K/R D.C. 15 OCT 81
J. NORBERG

THIRD ANGLE PROJECTION		DESCRIPTION		DWG. PART NO.	ITEM NO.
UNLESS OTHERWISE SPECIFIED DIMENSIONS ARE IN INCHES					
ANGLES 30° 45° 60°	CLASS OF ACCURACY	NOMINAL DIMENSION RANGES IN INCHES			
SURFACE QUALITY IN	CHECK ONE	OVER	UNDER	OVER	UNDER
		0.001	0.002	0.012	0.010
MICRONCHES		PREFERRED			
QUANTITY & VARIATION		0.012	0.018	0.028	0.031
DRAWN BY: Eagle		FIRST USED ON		DATE	
CHKD. BY: [Signature]		TITLE			
ENG. BY: [Signature]		SERVO BOARD AND STIFFENER ASSY			
PROJ. ENG. BY: [Signature]		NEXT HIGHER ASSY.		MATERIAL	
DO NOT SCALE DRG		E-UA-RP3-0-0		SCALE 1/2	
MATERIAL SEE PARTS LIST		SIZE CODE D AD		NUMBER 7016976-0-0	
FINISH		SHEET OF		REV. B	

LINE	ITEM	DOCUMENT NUMBER	PART NUMBER	DESCRIPTION	QUANTITY PER VARIATION
1	1	E-UA-5414014-0-0	5414014-00	SERVO CONTROL	1
2	2		7421976-00	TRAY EXT HEX SUPPORT	1
3	3		9008212-00	SCREW, N/LOX, SLTD PAN HD, 6-32	5
4	4		9007883-00	NUT, HEX, NYLON 6-32X .312X .146T	3
5	5		9000035-04	SPACER, RND, THD 6-32X 3/4 L	2
6	6		9009536-00	GLYPTOL, RED	A/R

REVISION HISTORY			BASIC PART NO: 7016976				
ENG	ECO NUMBER	REV	SECTION A OF A	DRN: M. ENGLE	DATE: 12-MAR-79	D I G I T A L	
GN	PCO CONTROL	*	SECTION. VARIATION INDEX	CHK'D: W. MAJOR	DATE: 21-JAN-80	TITLE PARTS LIST	
GN	R80-CX004	A	[A] 00			SERVO BOARD AND STIFFENER ASSY	
JN	7016976-CX001	B	[B]	DES.ENG.: G. NORDBERG	DATE: 21-JAN-80		
			[C]	RESP.ENG.: W. MONTERO	DATE: 22-JAN-80	DOCUMENT NUMBER	
			[D]			SIZE	CODE
			[E]	MFG.ENG.: W. EHRMANN	DATE: 22-JAN-80	K	PL
			[F]	ASSEMBLY NUMBER:	TOP DOCUMENT NUMBER:	FILE NAME:	EDIT #
				D-AD-7016976-0-0	E-AD-7016773-0-0	Z1094B.PLS	9

THIS DRAWING AND SPECIFICATIONS HEREIN, ARE THE PROPERTY OF DIGITAL EQUIPMENT CORPORATION AND SHALL NOT BE REPRODUCED OR COPIED OR USED IN WHOLE OR IN PART AS THE BASIS FOR THE MANUFACTURE OR SALE OF ITEMS WITHOUT WRITTEN PERMISSION. COPYRIGHT (C) 1981, DIGITAL EQUIPMENT CORPORATION

THIS DRAWING AND SPECIFICATIONS, HEREIN, AND THE PROPERTY OF DIGITAL EQUIPMENT CORPORATION AND SHALL NOT BE REPRODUCED OR COPIED IN WHOLE OR IN PART AS THE BASIS FOR THE MANUFACTURE OR SALE OF ITEMS WITHOUT WRITTEN PERMISSION. COPYRIGHT © 1982 DIGITAL EQUIPMENT CORPORATION

DO NOT INSERT THE FOLLOWING COMPONENTS:

C47, C61, C67, C74, C75, C77, C78, C81, C90, C92, C95, C96, C102, C103, C106, C109, C111, C114, C115, C131, C132, C146, C147, C150, C153, C160, C165, C166, C173, C175, C176, C177, C179, C180, C155, C400, C401.

D21, D22, D73, D76

E8, E9, E10, E16, E21, E32, E33, E42, E46

L6, L7, L8, L9.

Q15

R66, R201, R247, R254, R285, R305, R484, R211, R212, R213.

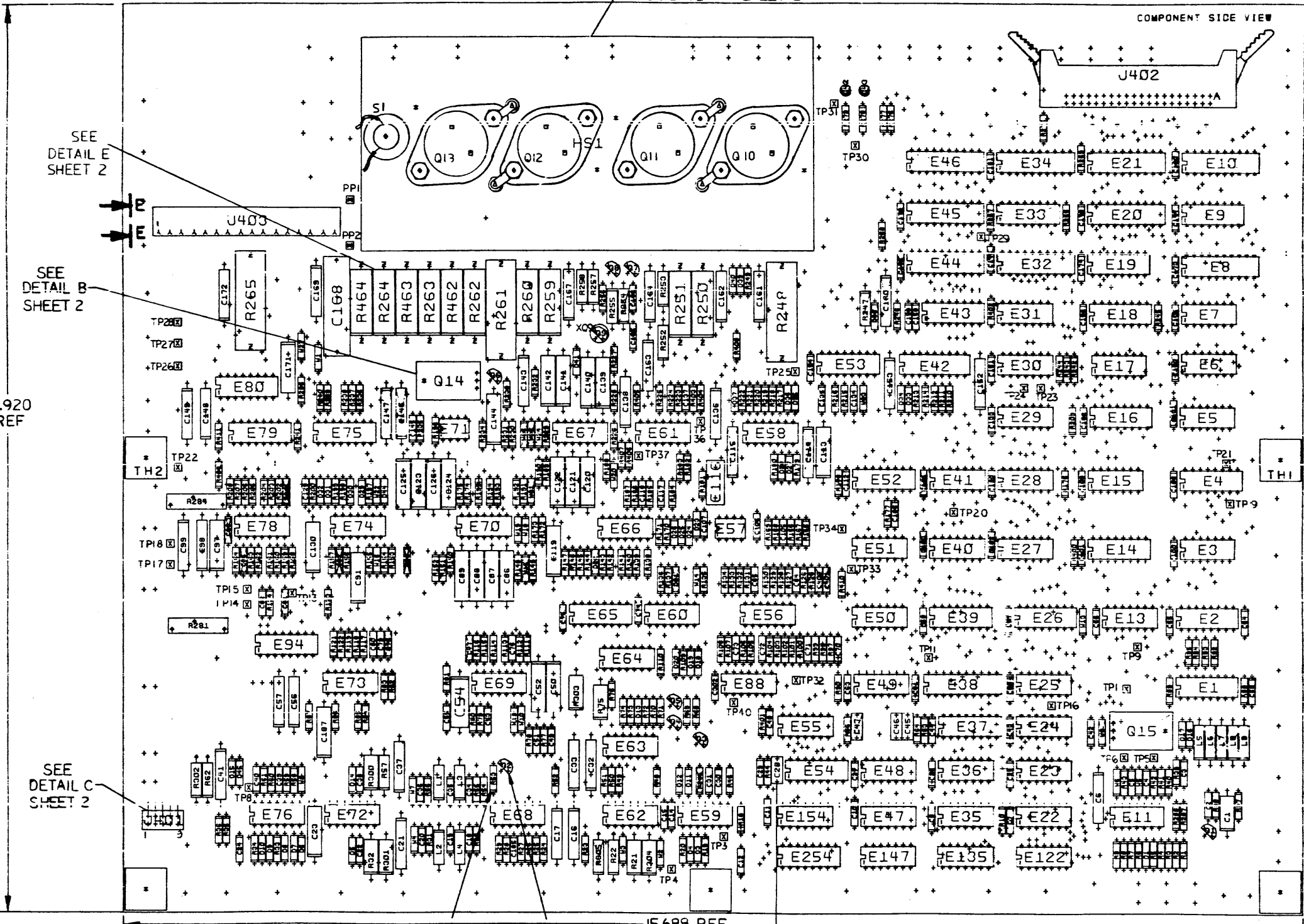
W9, W15, W21, W25, W26.

ALL TEST POINTS

11.920 REF

SEE DETAIL A - SHEET 2

COMPONENT SIDE VIEW



SEE DETAIL E SHEET 2

SEE DETAIL B SHEET 2

SEE DETAIL C SHEET 2

15.688 REF

SEE DETAIL D

NOTES: 1. DO NOT INSERT COMPONENTS LISTED ABOVE.
 2. REV. F ETCHED BOARD (5014013-0) WAS PRODUCED BY ML BOARD SHOP AND SUBSEQUENTLY CANCELLED. REV. F ETCH DOES NOT EXIST IN PRODUCTION DRIVES.

STEP	Y AXIS	STEP	TIMES
REP1	→ X AXIS	2	STEP 2 TIMES

CHK	CHANGE NO	REV	BY	DATE
K				
L				

8-1	8-2
8-3	8-4

ETCH REV.	H-P2
-----------	------

SIGNATURES		DATE	TITLE
DRN.	<i>D. B. Johnson</i>	2-25-82	
CHK'D	<i>[Signature]</i>	2-25-82	
MECH. ENG.	<i>[Signature]</i>	2-25-82	SIZE CODE
PROJ. ENG.	<i>[Signature]</i>	2-25-82	NUMBER
SCALE	LS1		REV
SHT.	1 OF 3		D UA 5414014-00
NEXT - JERH ASSY. B-00-5414014-0			

DRAWING NUMBER

DRAWING NUMBER

DUA 5414014-0-0

DRAWING NUMBER 1 of 3

8 7 6 5 4 3 2 1

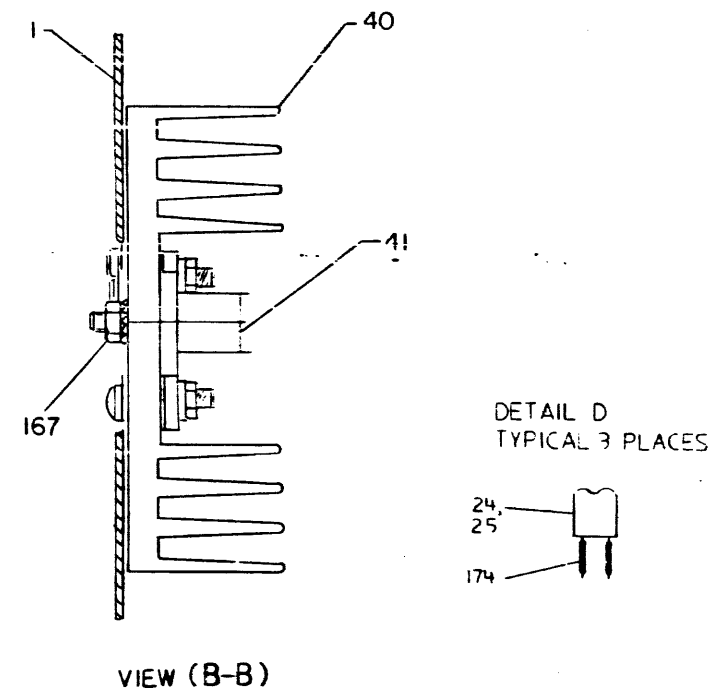
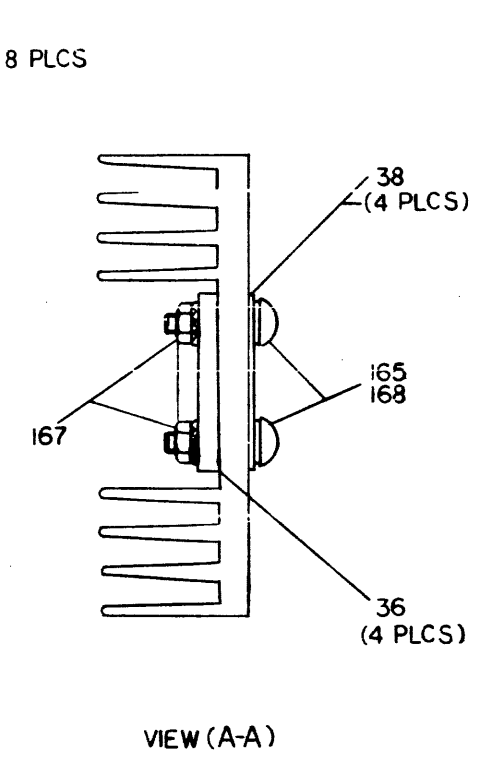
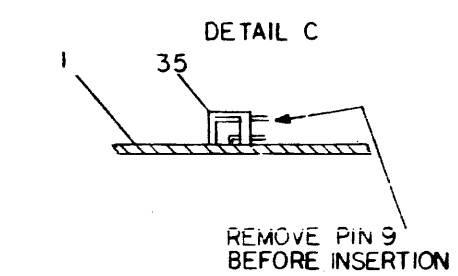
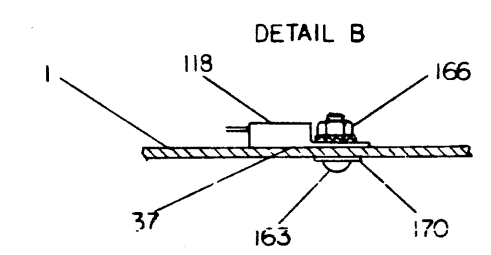
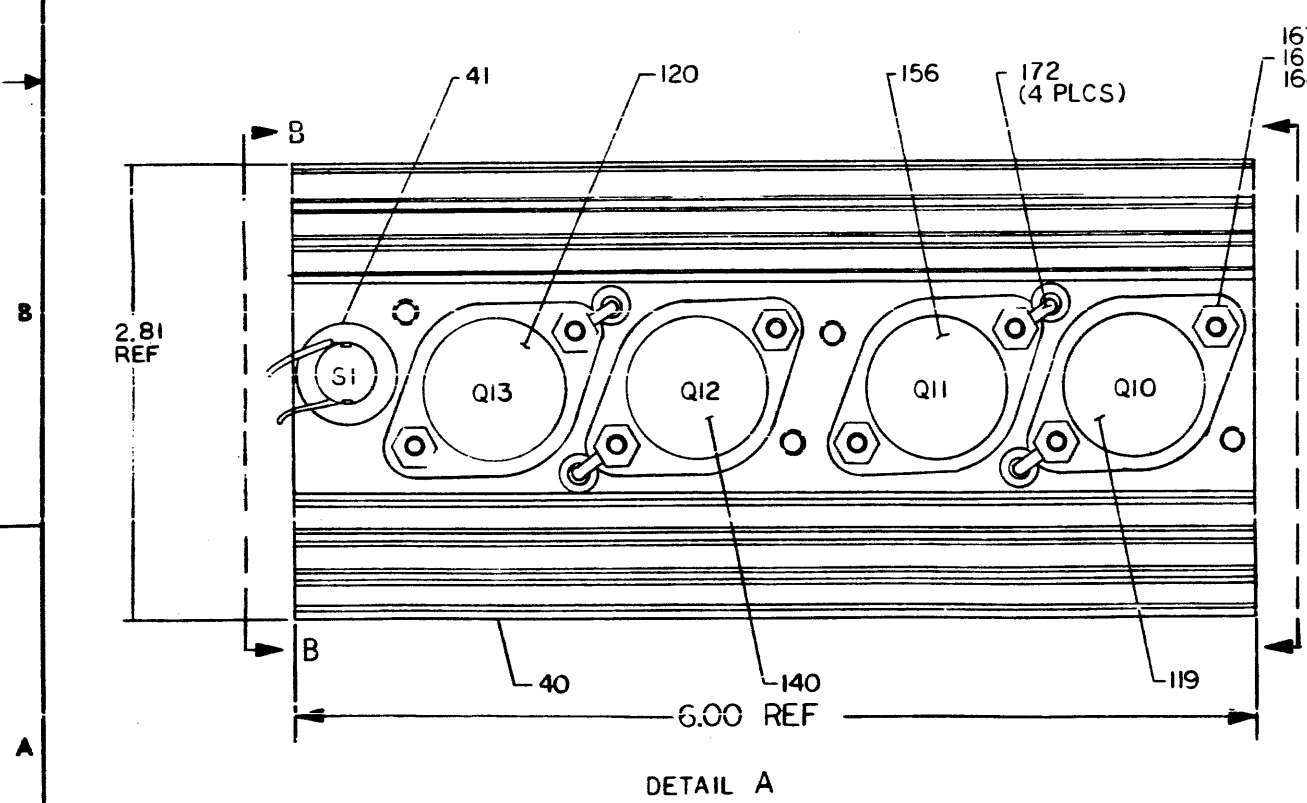
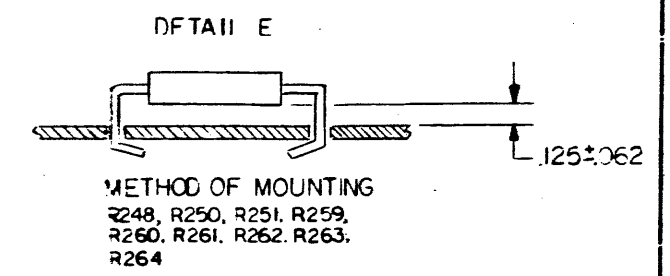
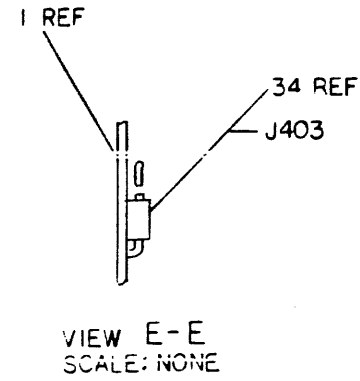
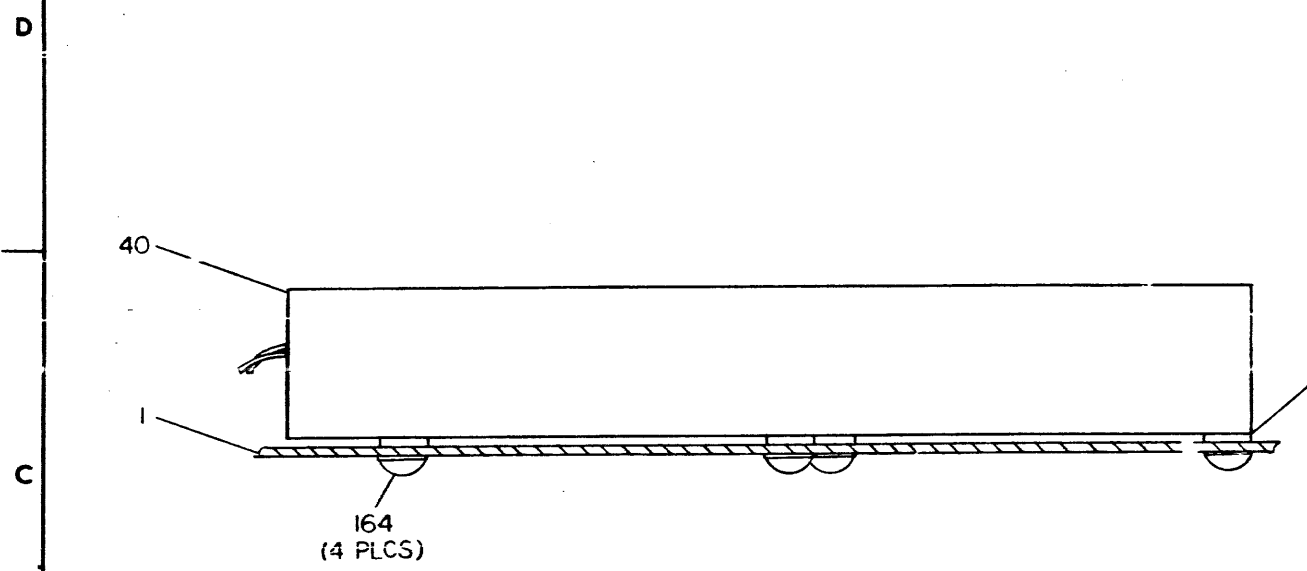
THIS DRAWING AND SPECIFICATIONS HEREIN ARE THE PROPERTY OF DIGITAL EQUIPMENT CORPORATION AND SHALL NOT BE REPRODUCED OR COPIED OR USED IN WHOLE OR IN PART AS THE BASIS FOR THE MANUFACTURE OR SALE OF ITEMS WITHOUT WRITTEN PERMISSION. COPYRIGHT © 1962 DIGITAL EQUIPMENT CORPORATION

DRAWING NUMBER
DUA 5414014-0-0

DRAWING NUMBER
DUA 5414014-0-0

DRAWING NUMBER
DUA 5414014-0-0

DRAWING NUMBER
2 of 2



REVISION HISTORY		
DATE	ECO NUMBER	REV.

TITLE
SERVO CONTROL

SIZE	CODE	DOCUMENT NUMBER	NUMBER	REV.
DUA	5414014-0-0	L		
SCALE	2/1	SHEET	2	OF 3

8 7 6 5 4 3 2 1

THIS DRAWING AND SPECIFICATIONS HEREIN ARE THE PROPERTY OF DIGITAL EQUIPMENT CORPORATION AND SHALL NOT BE REPRODUCED OR COPIED OR USED IN WHOLE OR IN PART AS THE BASIS FOR THE MANUFACTURE OR SALE OF ITEMS WITHOUT WRITTEN PERMISSION. COPYRIGHT © 1963 DIGITAL EQUIPMENT CORPORATION

1 0-0-HIGHHS M D 2

ECC 544014-CX008

COMPONENT DELETES:

- 8-1. DELETE R53, (1302685-00).
- 8-2. DELETE Q2, (1519472-01).

COMPONENT ADDS:

- 8-3. ADD R53, (1316837-00).
- 8-4. ADD Q2, (1513490-00).
- 8-5. WHEN THE ABOVE REWORK IS COMPLETE, MARK THE MODULE CS REV 'M'.

REVISIONS		
CHK	CHANGE NO.	REV.

TITLE	SERVO CONTROL	SIZE/CODE	D UA	NUMBER	544014-0-0	REV.	L
SCALE	---	SHEET	3	OF	3	DIST.	

1 0-0-HIGHHS M D 2
 544014-0-0
 D UA

LINE ITEM	TOP DOCUMENT	PART NUMBER	MIN REV	DESCRIPTION	QTY	PER VARIATION	REFERENCE DESIGNATOR
							00
1	1	D-MD-5014013-0-0	5014013-00	SERVO CONTROL	1		
2	2		1000037-00	.22 MFD 100V 10%	1	MYLR	C168
3	3		1000050-00	.033 MFD 100V 80V 10%	1	MYL	C113
4	4		1000061-00	.0082 MFD 100V 10%	1	MYLR	C54
5	5		1001610-00	.01 MFD 50V +80-20% Z5U CER	20		C2,C4,C5,C8,C14,C15,C26,C27,C29, CONT C30,C44,C48,C60,C65,C66,C112, CONT C154,C158,C185,C302
6	6		1001636-00	2400.0 MMF 100V 5%200PPM MICA	1		C116
7	7		1002630-00	.015 MFD 100V 10%	1	MYLR	C23
8	8		1005965-00	.47 MFD 35V 10%	1	S.TANT	C1
9	9		1009312-00	.0047 MFD 100V 1%	24	MYLR	C50,C52,C86-C89,C91,C97, CONT C119-C126,C130,C139-C142,C144, CONT C171,C187
10	10		1012784-00	.047 MFD 50V +80-20% CER	27		C7,C10,C11,C12,C22,C25,C38,C42, CONT C43,C58,C63,C64,C68,C70,C80, CONT C100,C101,C105,C108,C110,C133, CONT C135,C151,C156,C174,C178,C181 C71,C72,C82,C84,C95,C129
11	11		1013466-01	10.0 MMF 50V 5%	6	CER	C79
12	12		1013466-06	100.0 MMF 50V 5%	1	CER	C3
13	13		1013466-08	680.0 MMF 50V 10%	1	X7R CER	C55,C134
14	14		1013466-12	2200.0 MMF 50V 10%	2	X7R CER	C137
15	15		1013466-14	82.0 MMF 50V 5%	1	CER	C39
16	16		1013466-18	330.0 MMF 50V 5%	1	CER	C49,C51
17	17		1013466-19	470.0 MMF 50V 5%	2	CER	C18,C31,C34,C107
18	18		1013466-23	22.0 MMF 50V 5%	4	CER	C53,C73,C76,C145
19	19		1013466-24	47.0 MMF 50V 5%	4	CER	C19,C35
20	20		1013466-25	68.0 MMF 50V 5%	2	CER	C159
21	21		1013466-26	120.0 MMF 50V 5%	1	CER	C24,C40,C117,C118,C186
22	22		1013466-28	1000.0 MMF 50V 5%	5	CER	C20,C36
23	23		1013466-29	1500.0 MMF 50V 5%	2	CER	

REVISION HISTORY		BASIC PART NO: 5414014	
ENG!	ECO NUMBER	REV	SECTION A OF A
---	5414014-CX007	J	SECTION VARIATION INDEX
BR	5414014-CX008	K	[A] 00
			[B]
			[C]
			[D]
			[E]
			[F]
			[G]
			[H]
			[I]
			[J]
			[K]
			[L]
			[M]
			[N]
DRN:	SUE BOURBEAU	DATE:	09-JUL-82
CHK'D:	RON MICHAUD	DATE:	09-JUL-82
DES.ENG:	BILL RAY	DATE:	09-JUL-82
RESP.ENG.:	BILL RAY	DATE:	09-JUL-82
MFG.ENG.:	AHMAD KASSAK	DATE:	09-JUL-82
ASSEMBLY NUMBER:	E-UA-5414014-0-0	TOP DOCUMENT NUMBER:	#B-DD-5414014-0
TITLE		PARTS LIST	
SERVO CONTROL		DOCUMENT NUMBER	
SIZE!	CODE!	NUMBER	REV
K	PL	5414014-0-DBP	K
RELEASE DATE:			
FILE NAME:	Z0497K.PLS	EDIT #	11

THIS DRAWING AND THE SPECIFICATIONS CONTAINED HEREIN ARE CONFIDENTIAL AND PROPRIETARY. THEY ARE THE PROPERTY OF DIGITAL EQUIPMENT CORPORATION AND SHALL NOT BE REPRODUCED OR COPIED OR USED IN WHOLE OR IN PART AS THE BASIS FOR THE MANUFACTURE OR SALE OF ITEMS WITHOUT WRITTEN PERMISSION. THIS IS AN UNPUBLISHED WORK PROTECTED UNDER THE FEDERAL COPYRIGHT LAWS.

8MB
7/19/83
7/2/83

LINE	ITEM	TOP DOCUMENT	PART NUMBER	MIN REV	DESCRIPTION	QTY PER VARIATION	REFERENCE DESIGNATOR
						00	
24	24	SEE NOTE 1	1014169-00		1000.0 MMF 100V 1%200PPM MICA	1	C28
25	25	SEE NOTE 1	1017200-00		100.0 MMF 100V 1% 70PPM MICA	2	C45,C46
26	26		1017472-00		10 MFD 35V +50-10% AL EL	25	C6,C16,C17,C21,C32,C33,C37,C41, C56,C57,C98,C99,C136,C138,C143, CONT C148,C149,C152,C161-C164,C167, CONT C169,C172
27	27		1100122-00		VZ= 3.9 5% 400 MW 1N748A	1	D45
28	28		1102421-00		VZ= 6.2 5% 400 MW 1N753A	6	D5,D14,D25,D26,D29,D31
29	29		1105275-00		PIV= 60 IO=300 MA -15NS	2/	D1,D3,D4,D6-D13,D18-D20,D23,D24, CONT D27,D28,D30,D32,D35-D37,D39-D41, CONT D44
30	30		1105871-00		VZ= 5.15 1% 250 MW	1	D34
31	31		1109977-00		VZ= 4.3 5% 1N749A	1	D15
32	32		1110324-00		LED 1MCD@10MA PIV=3	2	D1,D43
33	33		1116824-00		VARICAPS, PIV= 3 400MW 1N5	2	D16,D17
34	34		1212204-13		PCB HEADER 16PIN(1X16).156CC 90D	1	J403
35	35		1212965-01		PCB,HEADER 10PIN(2X05).100CC 90D	1	J401
36	36		1213071-02		INSULATOR,RUBBER SILICONE SM	4	
37	37		1213071-06		INSULATOR,RUBBER SILICONE	1	
38	38		1215580-00		INSULATOR,MOLDED	4	
39	39		1216832-02		PCB,HEADER 40POS(2X20).100CC 90D	1	J402
40	40		1216833-00		HEAT SINK,EXTRUSION 06.00X02.8	1	HS1
41	41		1216869-00		THERMOSTAT,74 C	1	S1
42	42		1300005-04		R NETWORK 15-470 5.0 % 16PIN	1	E254
43	43		1300202-00		47.0 .25 W 5.0 % CF	8	R5,R6,R8,R26,R29,R41,R51,R76
44	44		1300228-00		100.0 .50 W 5.0 % CF	1	R22
45	45		1300291-00		300.0 .50 W 5.0 % CF	2	R253,R257
46	46		1300316-00		470.0 .25 W 5.0 % CF	5	R18,R20,R90,R92,R93
47	47		1300365-00		1.0 K .25 W 5.0 % CF	24	R10,R19,R33,R94,R95,R165,R176, CONT R209,R210,R242-R245,R266-R269, CONT R275-R277,R400-R402,R410
48	48		1300432-00		3.0 K .25 W 5.0 % CF	3	R88,R89,R288
49	49		1300444-00		3.90 K .25 W 5.0 % CF	8	R107,R108,R133,R134,R141,R142, CONT R144,R145
50	50		1300447-00		4.70 K .25 W 5.0 % CF	5	R170,R171,R197,R198,R256
51	51		1300479-00		10.0 K .25 W 5.0 % CF	16	R101,R102,R105,R106,R126,R126, CONT R129,R132,R140,R143,R180,R219, CONT R221,R222,R237-R240
52	52		1300496-00		15.0 K .25 W 5.0 % CF	2	R3,R9
53	53		1301317-00		10.0 .25 W 5.0 % CF	2	R24,R249
54	54		1301401-00		750.0 .25 W 5.0 % CF	1	R214
55	55		1301837-00		1.21 K .50 W 1.0 % RN60C-F 5	4	R21,R75,R303,R304
56	56		1302381-00		200.0 .50 W 5.0 % CF	2	R62,R302
57	57		1302388-00		2.0 K .25 W 5.0 % CF	3	R42,R43,R287
58	58		1302466-00		100.0 K .25 W 5.0 % CF	2	R179,R218
59	59		1302645-00		1.10 K .25 W 1.0 % RN55D-F10	3	R55,R278,R279
60	60		1316837-00	CR	412.0 .25 W 1.0 % RN55D-F10	1	R53
61	61		1302858-00		100.0 .25 W 1.0 % RN55D-F10	5	R35,R36,R58,R224,R403

D	I	G	I	T	A	L	TITLE	SECTION A	OF A	SIZE	CODE	DOCUMENT NUMBER	REV
							SERVO CONTROL			K	PL	5414014-0-DBP	K

LINE	ITEM	TOP DOCUMENT	PART NUMBER	MIN REV	DESCRIPTION	QTY	PER VARIATION	REFERENCE DESIGNATOR
62	62		1302872-00		681.0 .25 W 1.0 % RN55D-F1	1		R109
63	63		1302874-00		147.0 .25 W 1.0 % RN55D-F10	1		R27
64	64		1303044-00		100.0 K .25 W 1.0 % RN55D-F10	13		R79-R83,R111,R112,R123,R153, CONT R154,R158,R207,R208
65	65		1303114-00		1.0 K .25 W 1.0 % RN55D-F10	12		R34,R49,R50,R54,R61,R87,R97, CONT R150,R156,R169,R181,R183
66	66		1303177-00		2.40 K .25 W 5.0 % CF	1		R408
67	67		1303179-00		8.20 K .25 W 5.0 % CF	1		R233
68	68		1303312-00		10.0 K .25 W 1.0 % RN55D-F10	18		R23,R39,R59,R60,P44,R85,R135, CONT R138,R139,R157,R168,R174,R175, CONT R186,R199,R225,R226,R229
69	69		1304837-00		24.0 K .25 W 5.0 % CF	2		R122,R161
70	70		1304839-00		51.0 K .25 W 5.0 % CF	2		R155,R206
71	71		1304855-00		9.09 K .25 W 1.0 % RN55D-F10	1		R182
72	72		1304862-00		1.62 K .25 W 1.0 % RN55D-F10	7		R68,R69,R70,R72-R74,R286
73	73		1304865-00		1.0 K .25 W .10% RN55E-B 2	2		R1,R2
74	74		1305114-00		3.48 K .25 W 1.0 % RN55D-F10	4		R4,R7,R205,R236
75	75		1305124-00		287.0 .25 W 1.0 % RN55D-F10	2		R46,R110
76	76		1305125-00		383.0 .25 W 1.0 % RN55D-F10	2		R37,R167
77	77		1305252-00		68.10 K .25 W 1.0 % RN55D-F10	1		R202
78	78		1305253-00		7.15 K .25 W 1.0 % RN55D-F10	4		R172,R173,R189,R190
79	79		1305323-00		511.0 K .25 W 1.0 % RN55D-F10	2		R118,R241
80	80		1305324-00		4.99 K .25 W 1.0 % RN55D-F10	3		R136,R137,R223
81	81		1305515-00		64.0 K .25 W .10% RN55E-B 2	2		R113,R115
82	82		1309143-10		10.0 K .75 W 10.0 % POT	1		R281
83	83		1309143-13		50.0 K .75 W 10.0 % POT	1		R284
84	84		1309296-00		113.0 K .25 W .10% RN55E-B 2	2		R114,R116
85	85		1309415-00		11.50 K .25 W 1.0 % RN55D-F10	2		R64,R166
86	86		1309416-00		31.60 K .25 W 1.0 % RN55D-F10	1		R117
87	87		1309417-00		27.40 K .25 W 1.0 % RN55D-F10	4		R148,R149,R151,R152
88	88		1309595-00		1.0 M .25 W 5.0 % CF	8		R77,R78,R86,R100,R104,R127,R131, CONT R411
89	89		1310634-00		2.67 K .25 W 1.0 % RN55D-F10	2		R63,R188
90	90		1311522-00		200.0 .25 W 5.0 % CF	1		R52
91	91		1311845-00		487.0 .25 W 1.0 % RN55D-F10	2		R31,R56
92	92		1312546-00		16.50 K .25 W 1.0 % RN55D-F10	4		R191-R193,R195
93	93		1312626-00		2.49 K .25 W 1.0 % RN55D-F10	1		R246
94	94		1312699-00		150.0 .50 W 1.0 % RN60D-F10	1		R255
95	95		1312747-00		56.20 K .25 W 1.0 % RN55D-F10	3		R38,R234,R235
96	96		1312921-00		649.0 .25 W 1.0 % RN55D-F10	2		R25,R28
97	97		1312922-00		536.0 .25 W 1.0 % RN55D-F10	2		R30,R71
98	98		1312924-00		10.70 K .25 W 1.0 % RN55D-F10	1		R44
99	99		1312930-00		5.10 K .25 W 5.0 % CF	11		R48,R99,R103,R125,R130,R146, CONT R147,R184,R185,R217,R220
100	100		1312985-00		332.0 K .25 W 1.0 % RN55D-F10	1		R40
101	101		1312988-00		49.90 K .25 W 1.0 % RN55D-F10	11		R119,R121,R159,R160,R177,R178, CONT R200,R404-R407
102	102		1312990-00		12.70 K .25 W 1.0 % RN55D 10	1		R98

D	I	G	I	T	A	L	TITLE	SECTION A	OF	A	SIZE	CODE	DOCUMENT NUMBER	REV
							SERVO CONTROL				K	PL	5414014-0-DBP	K

LINE	ITEM	TOP DOCUMENT	PART NUMBER	MIN REV	DESCRIPTION	QTY PER VARIATION	REFERENCE DESIGNATOR
						00	
103	103		1313167-00	833.0	K .25 W 1.0 Z RN55C-F 5	1	R196
104	104		1313343-00	28.70	K .25 W 1.0 Z RN55D-F10	1	R216
105	105		1313358-00	.20	5.0 W 3.0 Z WW	2	R248,R261
106	106		1313588-00	768.0	.25 W 1.0 Z RN55D-F10	1	R232
107	107		1313753-00	37.40	K .25 W 1.0 Z RN55D-F10	2	R163,R204
108	108		1313841-00	23.20	K .25 W 1.0 Z RN55D-F10	1	R215
109	109		1314187-00	6.19	K .25 W 1.0 Z RN55D-F10	1	R187
110	110		1314252-00	130.0	K .25 W 1.0 Z RN55D-F10	4	R124,R162,R164,R203
111	111		1314491-00	1.02	K .25 W 1.0 Z RN55D-F10	1	R194
112	112		1314989-00	11.30	K .25 W 1.0 Z RN55D-F10	4	R227,R228,R230,R231
113	113		1315240-00	.10	3.0 W 1.0 Z WW	1	R265
114	114		1316575-00	10.0	2.0 W 5.0 Z CC	4	R250,R251,R259,R260
115	115		1316844-00	301.0	.50 W 1.0 Z RN60D-F10	6	R32,R57,R252,R258,R300,R301
116	116		1318981-01	82.0	3.0 W 5.0 Z WW	6	R262-R264,R462-R464
117	117		1509900-00	2N 4859	FET 360MW SIN CHNNL	1	Q9
118	118		1510421-00	D 44C8	NPN 30WT SI 60 20	1	Q14
119	119		1511282-00	MJ2500	PNP 150WC SI 60 5 1K 5A	1	Q10
120	120		1511349-00	TIP 640	(OR MJ3000) NPN DARLINGT	1	Q13
121	121		1519472-01	2N 4209	PNP 300MW 15V@50MA	4	Q1,Q3-Q5
122	122		1513489-00	2N 4401	NPN 350MW SI 40 20	2	Q6,Q7
123	123		1513490-00	2N 4403	PNP 350MW SI-40 30	2	Q2,Q8
124	124		1612946-04	6.8	UH 10% Q MIN=52@7.9MHZ	2	L1,L2
125	125		1612946-05	18	UH 10% Q MIN=50@2.5MHZ	2	L3,L4
126	126		1616879-00	INDUCTOR	1.12UH 1% 370MA	1	L5
127	127		1618544-00	DELAY-	250NS; STAPS	2	F135,E147
128	128		1910268-00	DEC 75107B	RECEIVER,LINE,DUAL,	1	E59
129	129		1910532-00	74S00	NAND GATE-QUAD 2IN	2	F24,F47
130	130		1910533-00	74S03	NAND GATE-QUAD 2IN,0	1	E36
131	131		1910536-00	74S10	NAND GATE-TRIPLE 3IN	2	E23,E35
132	132		1910537-00	74S11	AND GATE-TRIPLE 3INP	1	E49
133	133		1910540-00	74S22	NAND GATE-DUAL 4INPU	1	E22
134	134		1910544-00	74S74	FF-D DUAL,EDGE TRIGG	3	E13,E48,E154
135	135		1910644-00	733	DIFFERENTIAL AMP,WID	1	E72
136	136		1910741-00	7406	INVERTER GATE-HEX 1I	1	E55
137	137		1911415-00	10125	ECL TO TTL TRNSLTR	1	E2
138	138		1911629-00	1408L8	DAC, 8BIT	1	E43
139	139		1912108-00	339	VOLT CMPRTR,QUAD	3	E56,E58,E66
140	140		1912792-01	7915CK	VOLT REG,FIX -15V	1	Q12
141	141		1912799-00	LS00	NAND-GATE-QUAD 2IN,P	5	E6,E31,E40,E41,E50
142	142		1912803-00	LS04	INVERTER GATE,HEX	3	E3,E7,E29
143	143		1912810-00	LS20	NAND GATE-DUAL 4IN	1	E5
144	144		1912815-00	LS30	NAND GATE-SINGLE 8IN	1	E15
145	145		1912824-00	LS74	FF-D DUAL,EDGE TRIGG	7	E17,E25,E27,E30,E51,E60,E122
146	146		1912829-00	LS86	X-OR GATE-QUAD 2IN	1	E88
147	147		1912834-00	LS112	FF-JK,DUAL,EDGE TRIG	1	E4
148	148		1912837-00	LS123	ONE SHOT-DUAL,RETRIG	3	E52-E54
149	149		1912849-00	LS161	COUNTER,SYNCHR,4BIT	1	E26
150	150		1912850-00	LS164	SHIFT REG. 8BIT SERI	1	E28

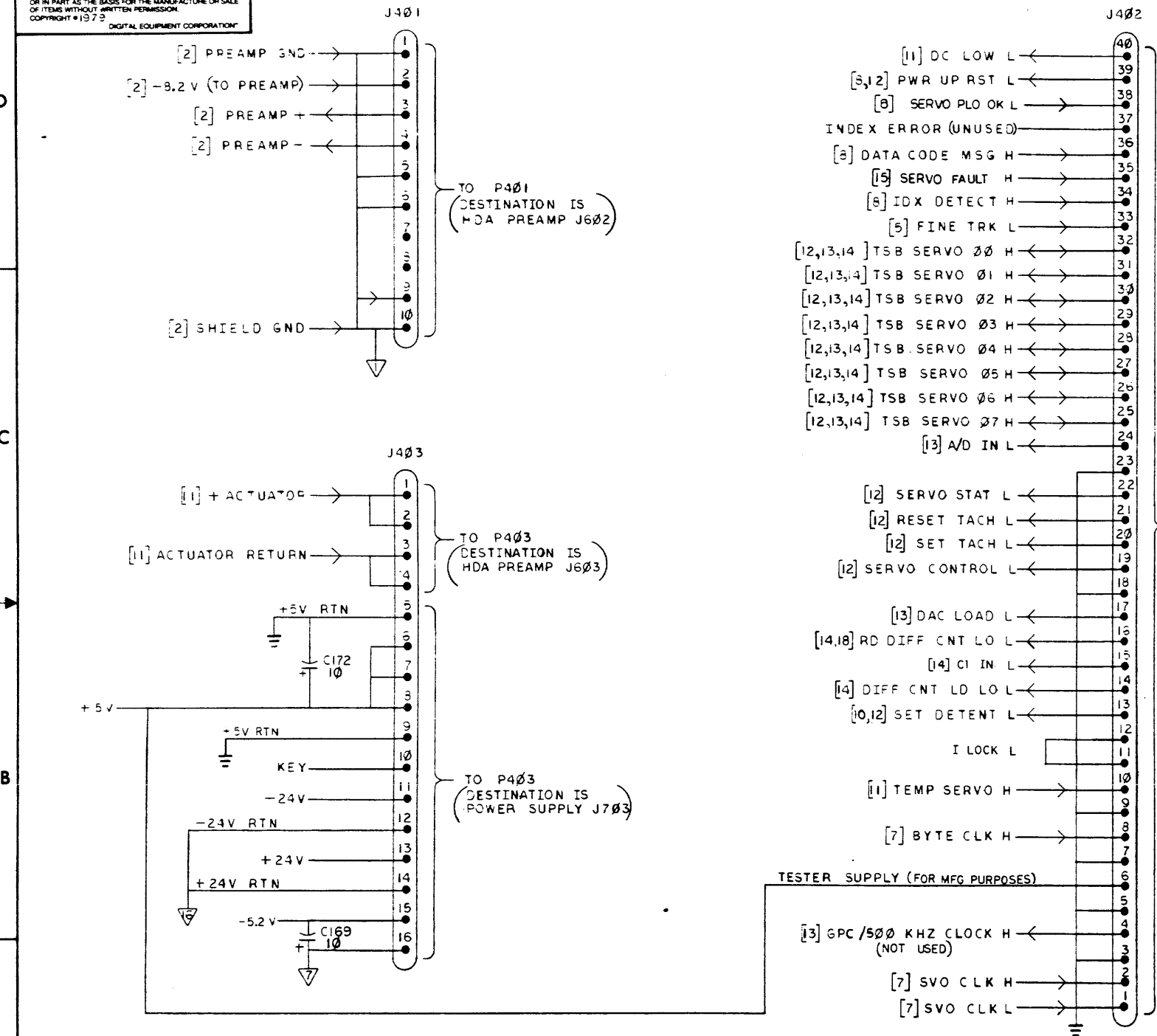
D	I	G	I	T	A	L	TITLE	SERVO CONTROL	SECTION A	OF A	SIZE	CODE	DOCUMENT NUMBER	REV
											K	PL	5414014-0-DBP	K

LINE ITEM	TOP DOCUMENT	PART NUMBER	MIN REV	DESCRIPTION	QTY PER VARIATION	REFERENCE DESIGNATOR
					00	
151	151	1912854-00		LS193 COUNTER,SYNCHR,4BIT,	2	E18,E19
152	152	1912858-00		LS221 ONE SHOT-DUAL,SCHMIT	1	E37
153	153	1912863-00		LS273 FF-D OCTAL W/CLEAR	3	E34,E38,E45
154	154	1913017-00		3046 XSISTOR ARRAY,3 ISOL	6	E11,E62-E64,E68,E76
155	155	1913035-02	LM	308ANOP AMP GEN PURP. COM	2	E57,E71
156	156	1914473-00	DEC	7815 VOLT REG,FIX +15V	1	Q11
157	157	1914485-01	TL	084ACNOP AMP,QUAD JFET	7	E61,E67,E69,E70,E73,E74,E78
158	158	1915193-00		LS244 DRIVER,LINE,OCTAL,T	2	E20,E44
159	159	2119305-01		201 SWITCH,ANALOG,QUAD	5	E65,E75,E79,E80,E94
160	160	1916574-00		10114 RECEIVER,LINE,TRIPL	1	E1
161	161	23268A1-00	A1-07		1	E14
162	162	23341A1-00	A1-07		1	E39
163	163	9006010-01		SCREW,MACH PAN PHIL 4-	1	
164	164	9006022-01		SCREW,MACH PAN PHIL 6-	4	
165	165	9006025-01		SCREW,MACH PAN PHIL 6-	8	
166	166	9006557-00		NUT,HEX EXT TOOTH LCKWSHR 4-40	1	
167	167	9006560-00		NUT,HEX EXT TOOTH LCKWSHR 6-32	9	
168	168	9006656-00		WASHER,FLAT STEEL	12	
169	169	9007791-00		TERM PCB 2POS SOLDER,TURRET	2	PP1,PP2
170	170	9008172-00		WASHER,FLAT SST	1	
171	171	9009185-00		JUMPER, WIRE, INSULATED, BLACK B	20	W1-W8,W10,W11,W13,W14,W16, CONT W18-W20,W22-W24,W27
172	172	9009676-00		TERM,SOLDER BARRIER STR	4	
173	173	9009898-00		TRANSIPAD, 4 HOLE	1	XQ9
174	174	9107256-11		TUBING,TEFLON .027ID	A/R	

- 175 NOTE: NOTE 1: ATTACH TUBING (ITEM 174) TO LEADS OF C28,C45 & C46.
- 176 NOTE: NOTE 2: IF ANY OF THESE COMPONENTS (21-19305-01) ARE FROM NATIONAL
- 177 NOTE: VENDOR 13201, DELETE. COMPONENTS (21-19305-01) FROM VENDORS
- 178 NOTE: SILICONIX DG201 AND HARRIS HI-201 ARE ACCEPTABLE.

! D I G I T A L !	! TITLE !	! SECTION A OF A !	! SIZE !	! CODE !	! DOCUMENT NUMBER !	! REV !
	SERVO CONTROL			K PL	5414014-0-DBP	K

THIS DRAWING AND SPECIFICATIONS HEREIN ARE THE PROPERTY OF DIGITAL EQUIPMENT CORPORATION AND SHALL NOT BE REPRODUCED OR COPIED OR USED IN WHOLE OR IN PART AS THE BASIS FOR THE MANUFACTURE OR SALE OF ITEMS WITHOUT WRITTEN PERMISSION. COPYRIGHT © 1973 DIGITAL EQUIPMENT CORPORATION.



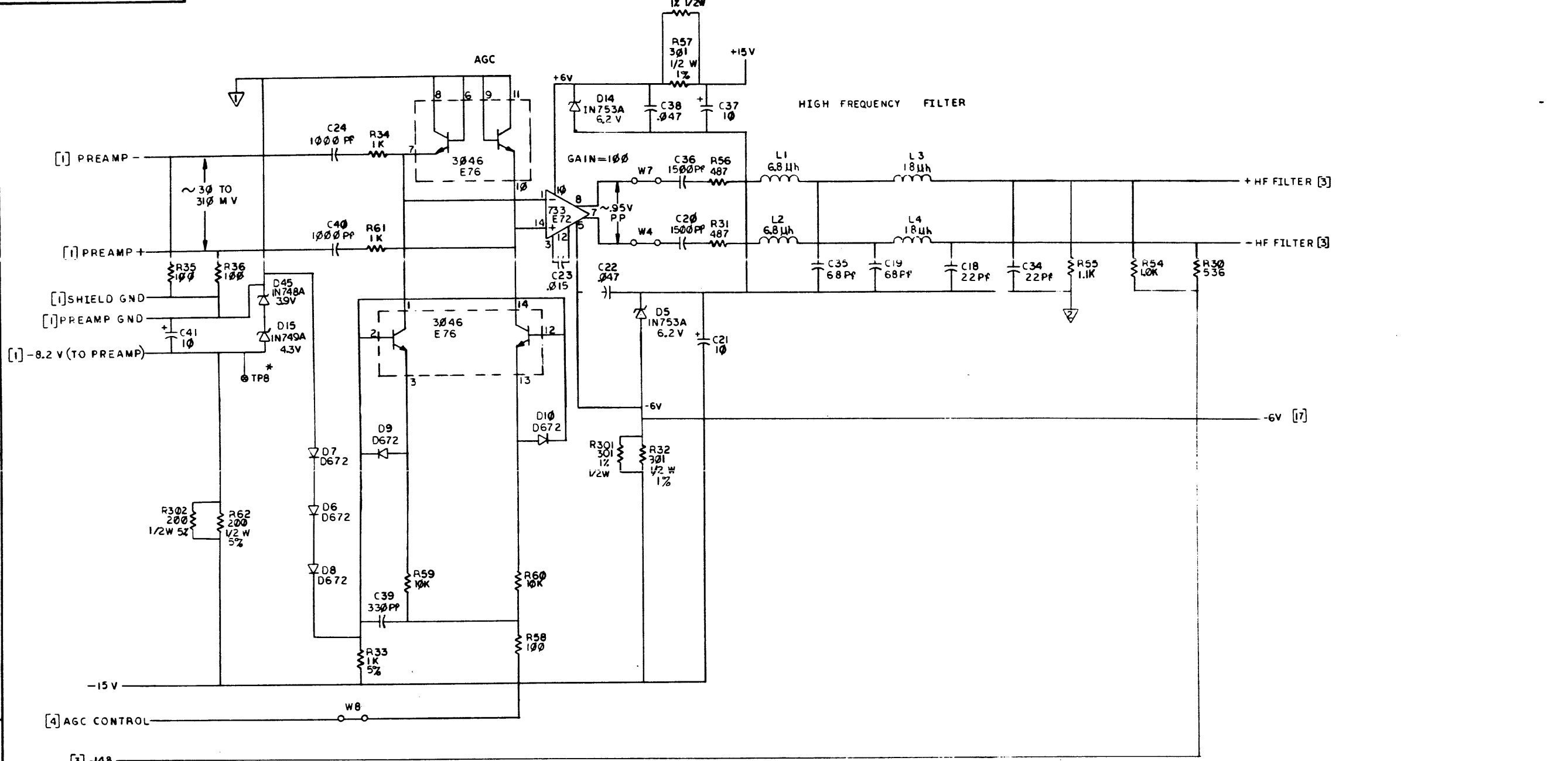
- NOTES:
- UNLESS OTHERWISE SPECIFIED ALL RESISTORS ARE 1/4 W, 1%. ALL RESISTOR VALUES ARE IN OHMS. ALL CAPACITOR VALUES ARE IN MICROFARADS.
 - ⊥ LOGIC GROUND.
▽ ANALOG GROUND.
 - ALL TEST PADS "TP"
 - ASTERISK * DENOTES COMPONENTS NOT INSERTED (OPTIONAL).
 - ① DENOTES 16 PIN IC SOCKETS.
② DENOTES 20 PIN IC SOCKETS.
③ DENOTES HEAT SINK MOUNTED.

DATE	ECO NUMBER	REV	DESCRIPTION
	5414014 - CX003A	E	CHANGED PER ECO 5414014 - CX02A G. HART 3/15/79
	5414014 - CX004	F	G. HART 3/15/79
	5414014 - CX005	H	K. DAVIS/STEPHO B. RAY 7/21/80
	5414014 - CX006	J	B. RAY 10/10/80
	5414014 - CX007	K	B. RAY 15 DEC 81
	5414014 - CX008	L	B. RAY 18 MAR 82
	5414014 - CX009	M	B. RAY 7/14/82

CHKD <i>K. Davis</i>	DATE 3 JULY 79	TITLE (SVI) digital
CHG'D <i>F. Houch</i>	DATE 2-6-79	SERVO CONTROL
DES. ENG. <i>[Signature]</i>	DATE 7-5-78	
APP. ENG. <i>[Signature]</i>	DATE	DOCUMENT NUMBER
MFG. ENG. <i>[Signature]</i>	DATE	SIZE CODE NUMBER REV
NEXT HIGHER DOC. B-00-5414014-0		D CS 5414014-0-1 M

DRAWING NUMBER DCS 5414014-0-1 M

THIS DRAWING AND SPECIFICATIONS HEREIN ARE THE PROPERTY OF DIGITAL EQUIPMENT CORPORATION AND SHALL NOT BE REPRODUCED OR COPIED OR USED IN WHOLE OR IN PART AS THE BASIS FOR THE MANUFACTURE OR SALE OF ITEMS WITHOUT WRITTEN PERMISSION. COPYRIGHT © 1979 DIGITAL EQUIPMENT CORPORATION.

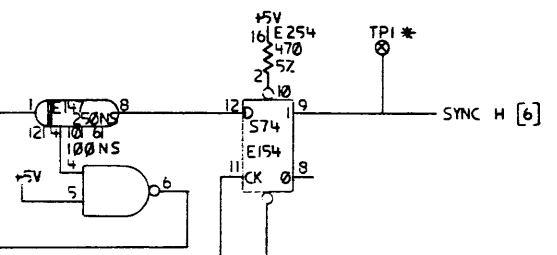
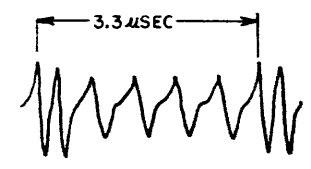
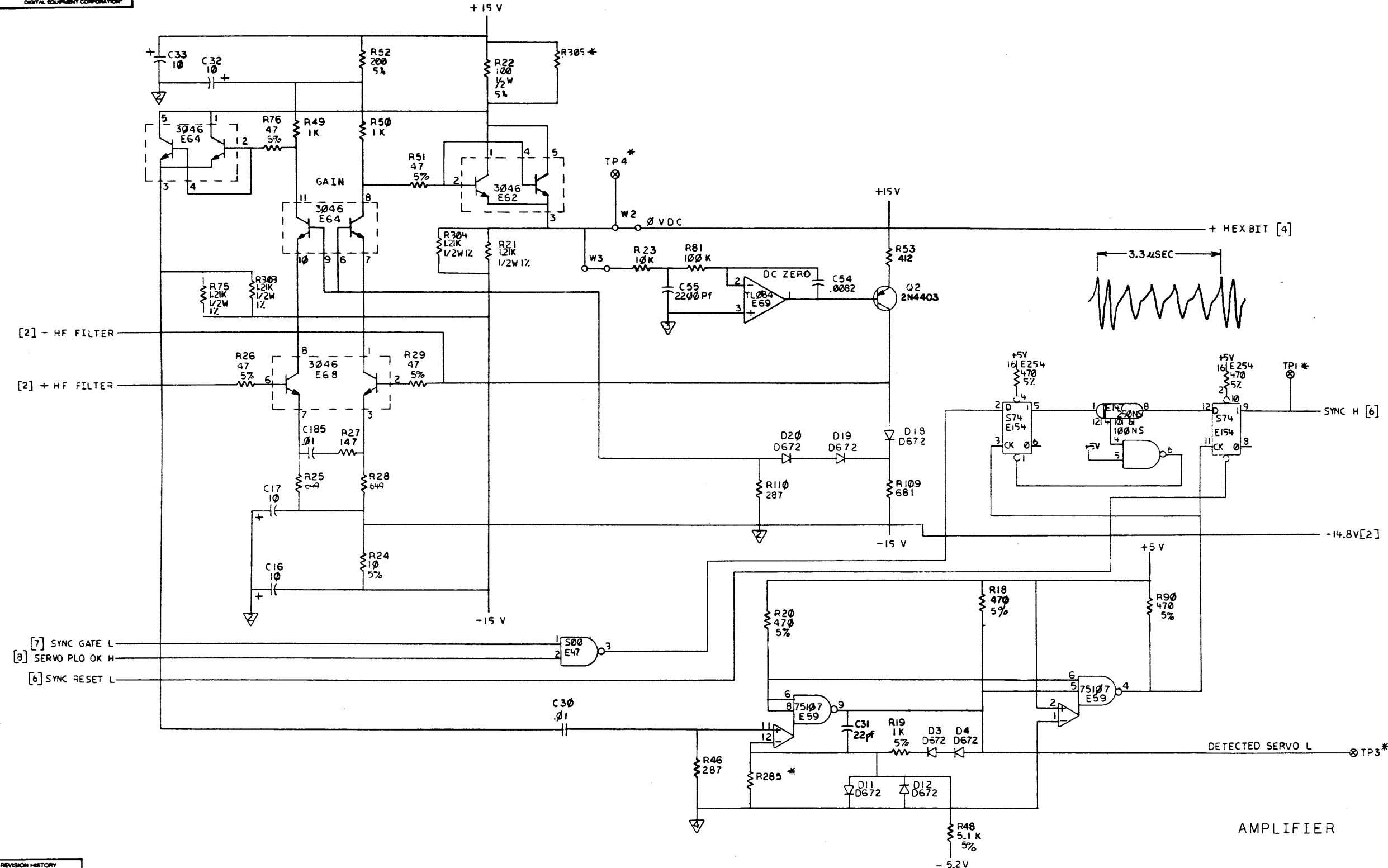


AGC & FILTER

REVISION HISTORY		
DATE	ECO NUMBER	REV.

TITLE						DOCUMENT NUMBER	
SERVO CONTROL (SV2)						DCS 5414014-0-1 M	
SCALE						SHEET 2 OF 18	

THIS DRAWING AND SPECIFICATIONS HEREIN ARE THE PROPERTY OF DIGITAL EQUIPMENT CORPORATION AND SHALL NOT BE REPRODUCED OR COPIED OR USED IN WHOLE OR IN PART AS THE BASIS FOR THE MANUFACTURE OR SALE OF ITEMS WITHOUT WRITTEN PERMISSION. COPYRIGHT © 1973 DIGITAL EQUIPMENT CORPORATION



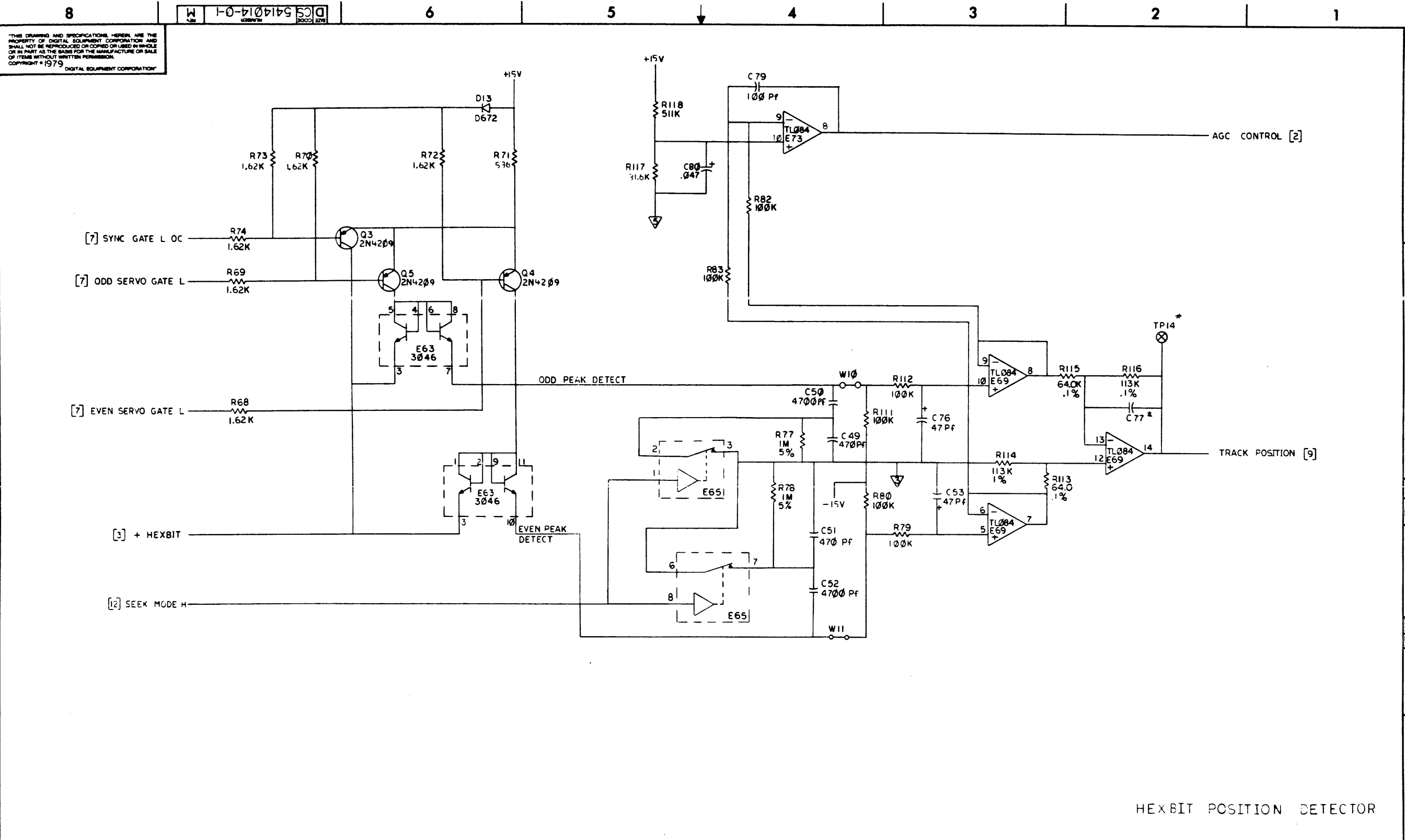
AMPLIFIER

REVISION HISTORY		
DATE	ECD NUMBER	REV.

TITLE SERVO CONTROL (SV3)

DOCUMENT NUMBER		
SIZE CODE	NUMBER	REV.
DCS	5414014-0-1	M
SCALE	SHEET 3 OF 18	

DCS 5414014-0-1 M



THIS DRAWING AND SPECIFICATIONS HEREAFTER ARE THE PROPERTY OF DIGITAL EQUIPMENT CORPORATION AND SHALL NOT BE REPRODUCED OR COPIED OR USED IN WHOLE OR IN PART AS THE BASIS FOR THE MANUFACTURE OR SALE OF ITEMS WITHOUT WRITTEN PERMISSION. COPYRIGHT © 1979 DIGITAL EQUIPMENT CORPORATION

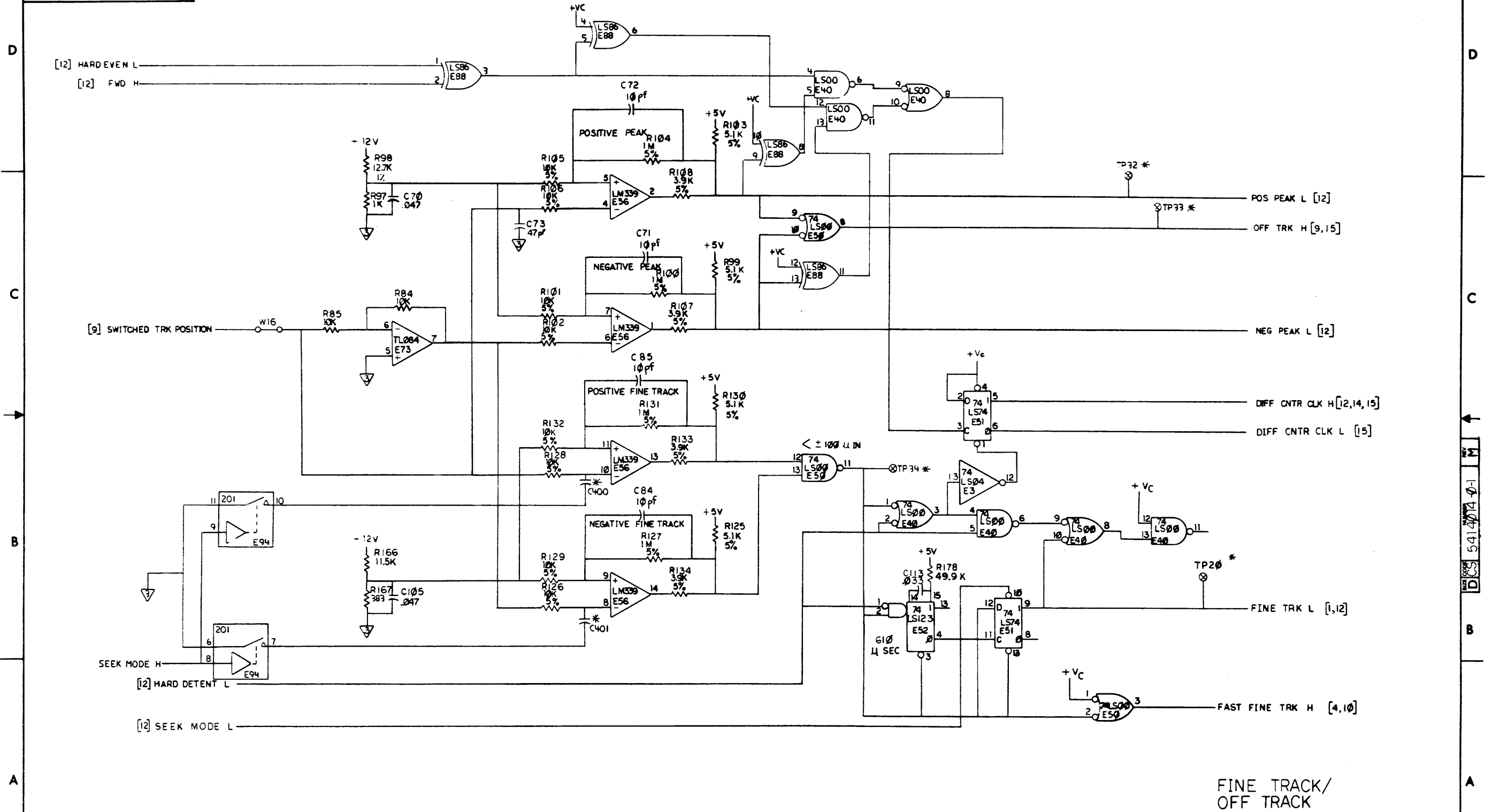
HEXBIT POSITION DETECTOR

REVISION HISTORY		
DATE	ECO NUMBER	REV

TITLE SERVO CONTROL (SV4)

DOCUMENT NUMBER		
SIZE CODE	NUMBER	REV
DCS	5414014-0-1	M
SCALE	SHEET 4 OF 18	

THIS DRAWING AND SPECIFICATIONS, HEREIN, ARE THE PROPERTY OF DIGITAL EQUIPMENT CORPORATION AND SHALL NOT BE REPRODUCED OR COPIED OR USED IN WHOLE OR IN PART AS THE BASIS FOR THE MANUFACTURE OR SALE OF ITEMS WITHOUT WRITTEN PERMISSION. COPYRIGHT © 1973, DIGITAL EQUIPMENT CORPORATION.

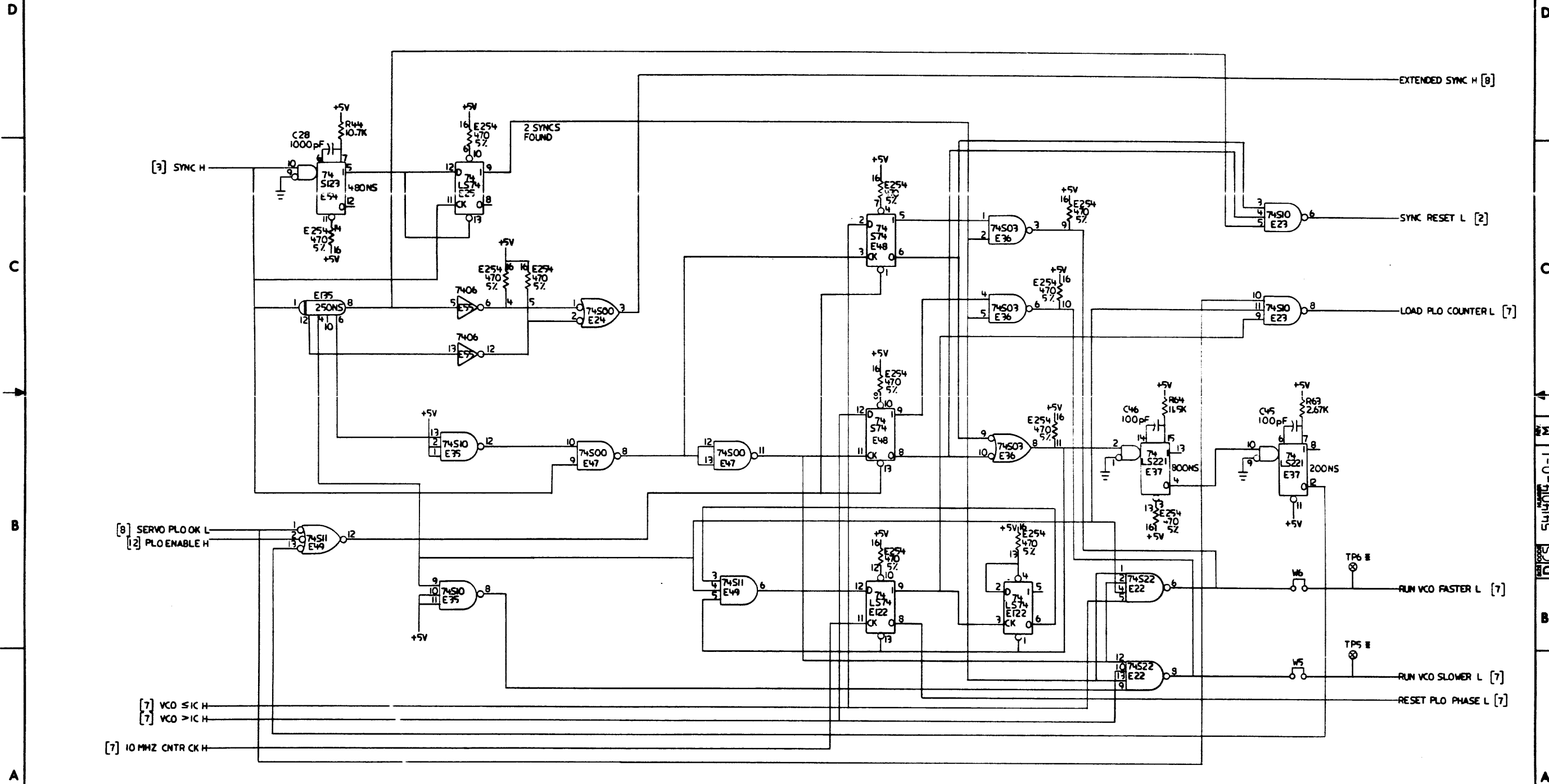


FINE TRACK/
OFF TRACK

REVISION HISTORY		
DATE	ECO NUMBER	REV.

TITLE		DOCUMENT NUMBER	
SERVO CONTROL (SV5)		SIZE CODE	NUMBER
		D CS	5414014-0-1
		SCALE	SHEET 5 OF 18
		REV.	M

THIS DRAWING AND SPECIFICATIONS HEREIN ARE THE PROPERTY OF DIGITAL EQUIPMENT CORPORATION AND SHALL NOT BE REPRODUCED OR COPIED IN WHOLE OR IN PART AS THE BASIS FOR THE MANUFACTURE OR SALE OF ITEMS WITHOUT WRITTEN PERMISSION.
 COPYRIGHT © 1982 DIGITAL EQUIPMENT CORPORATION



PHASE DETECTOR

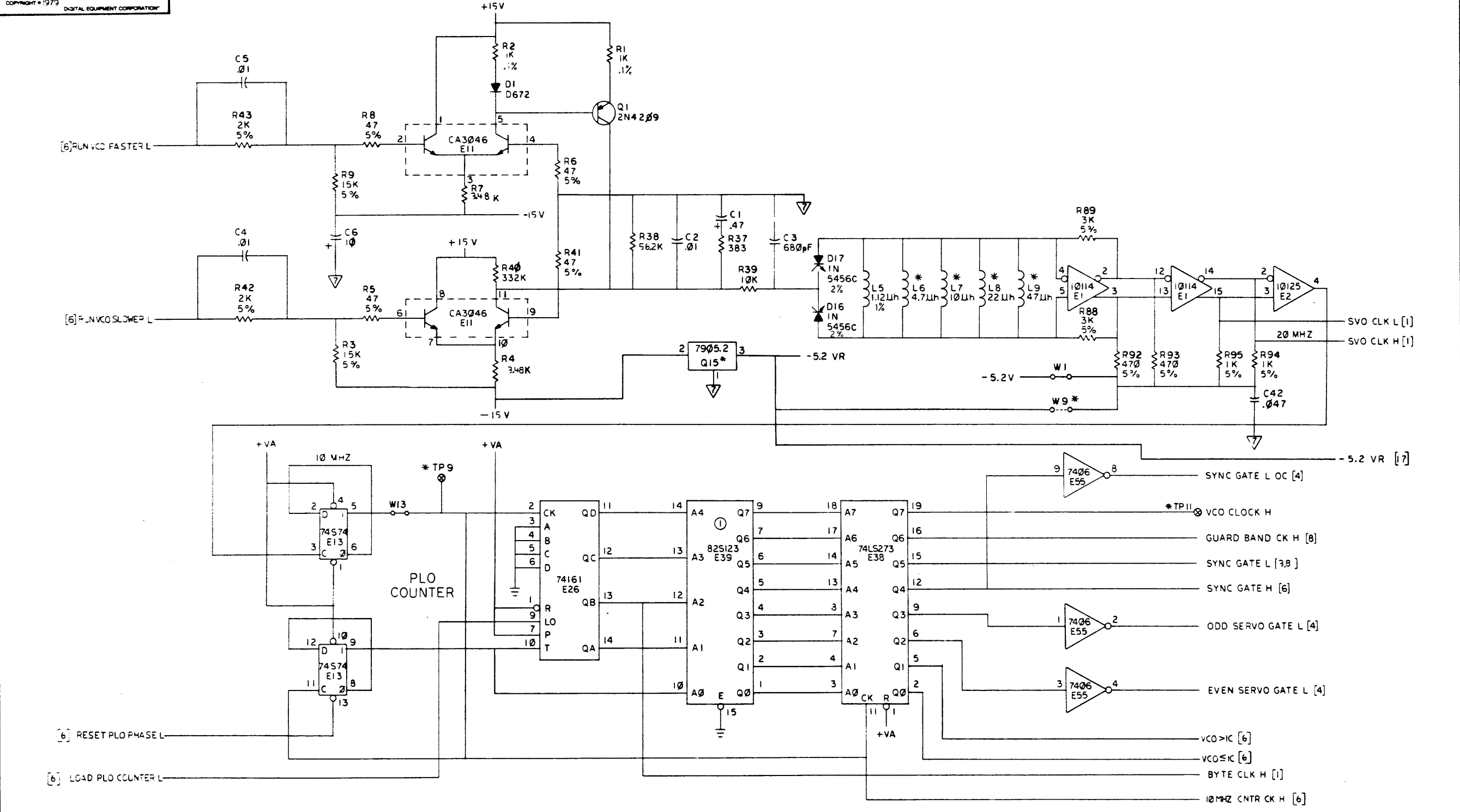
REVISION HISTORY		
DATE	ECO NUMBER	REV.

TITLE
SERVO CONTROL

DOCUMENT NUMBER		
SIZE	CODE	NUMBER
DCS	5414014-0-1	M

SCALE --- SHEET 6 OF 18

THIS DRAWING AND SPECIFICATIONS HEREIN ARE THE PROPERTY OF DIGITAL EQUIPMENT CORPORATION AND SHALL NOT BE REPRODUCED OR COPIED OR USED IN WHOLE OR IN PART AS THE BASIS FOR THE MANUFACTURE OR SALE OF ITEMS WITHOUT WRITTEN PERMISSION. COPYRIGHT © 1979 DIGITAL EQUIPMENT CORPORATION



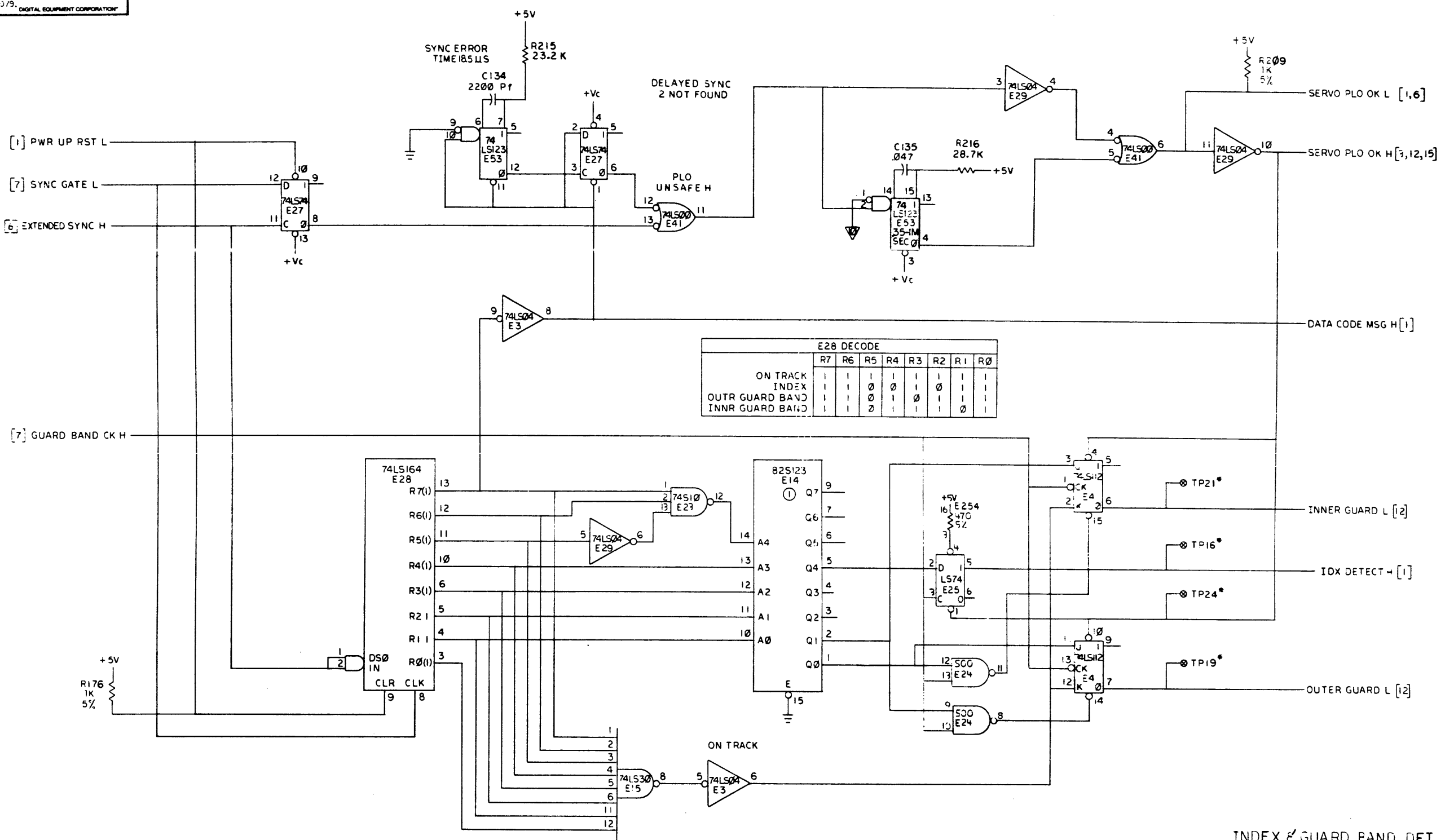
VCO & GATING

REVISION HISTORY		
DATE	ECO NUMBER	REV

TITLE		DOCUMENT NUMBER	
SERVO CONTROL (SV7)		DCS	5414014-0-1
SCALE		SHEET	7 OF 8

DCS 5414014-0-1 M

THIS DRAWING AND SPECIFICATIONS HEREIN ARE THE PROPERTY OF DIGITAL EQUIPMENT CORPORATION AND SHALL NOT BE REPRODUCED OR COPIED OR USED IN WHOLE OR IN PART AS THE BASIS FOR THE MANUFACTURE OR SALE OF ITEMS WITHOUT WRITTEN PERMISSION. COPYRIGHT © 1979, DIGITAL EQUIPMENT CORPORATION



E28 DECODE

	R7	R6	R5	R4	R3	R2	R1	R0
ON TRACK	1	1	1	1	1	1	1	1
INDEX	1	1	0	0	1	0	1	1
OUTR GUARD BAND	1	1	0	1	0	1	1	0
INNER GUARD BAND	1	1	0	1	1	1	0	1

REVISION HISTORY

DATE	ECO NUMBER	REV.

8

W 1-0-70775 DCS 5414014-0-1

6

5

4

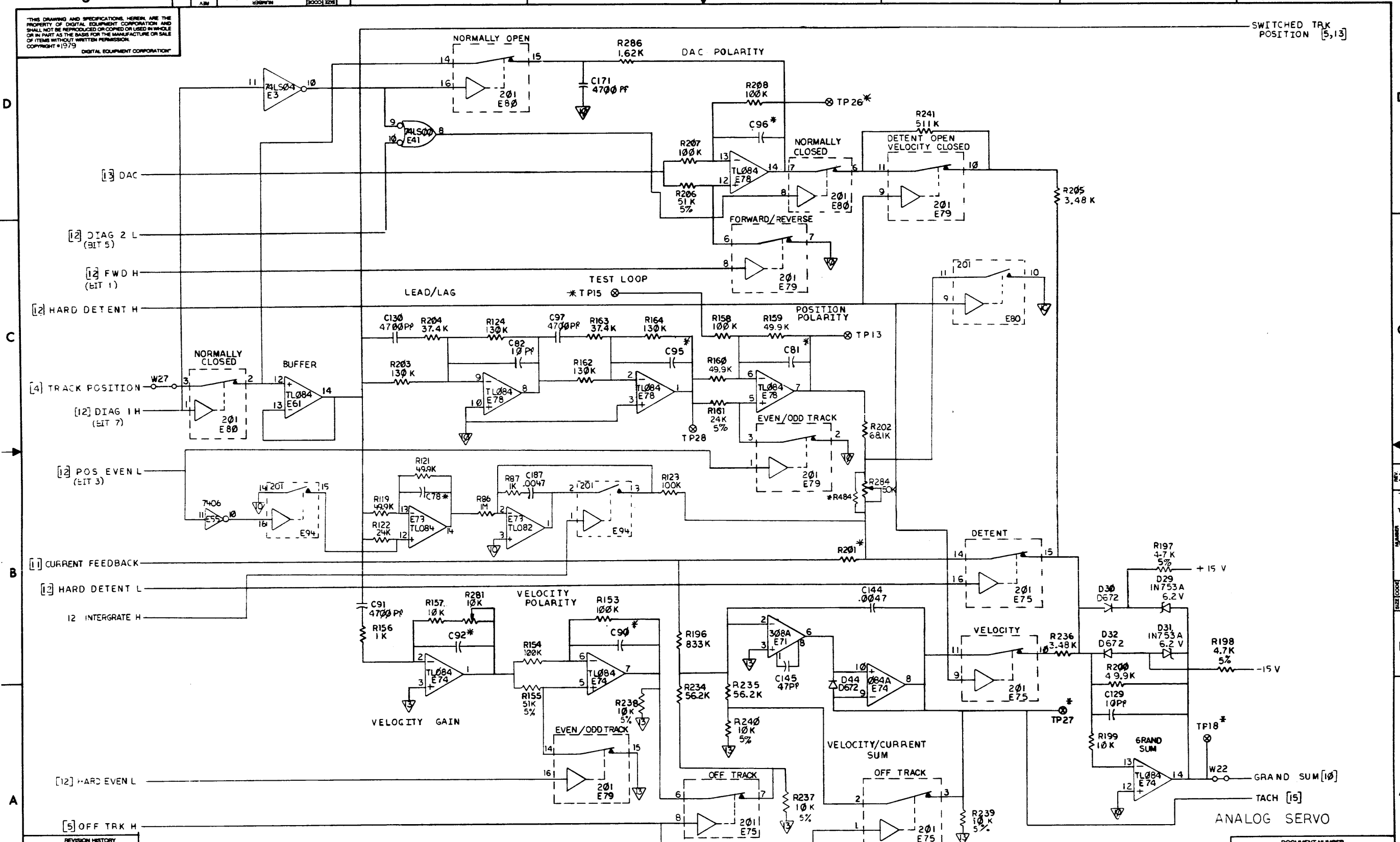
3

2

1

THIS DRAWING AND SPECIFICATIONS HEREIN ARE THE PROPERTY OF DIGITAL EQUIPMENT CORPORATION AND SHALL NOT BE REPRODUCED OR COPIED OR USED IN WHOLE OR IN PART AS THE BASIS FOR THE MANUFACTURE OR SALE OF ITEMS WITHOUT WRITTEN PERMISSION. COPYRIGHT © 1979 DIGITAL EQUIPMENT CORPORATION

SWITCHED TRK POSITION [5,13]



REVISION HISTORY		
DATE	ECO NUMBER	REV.

TITLE (SV9)
SERVO CONTROL

DOCUMENT NUMBER		REV.
SIZE	NUMBER	
DCS	5414014-0-1	M
SCALE	SHEET 3 OF 18	

DWG 137A

8

7

6

5

4

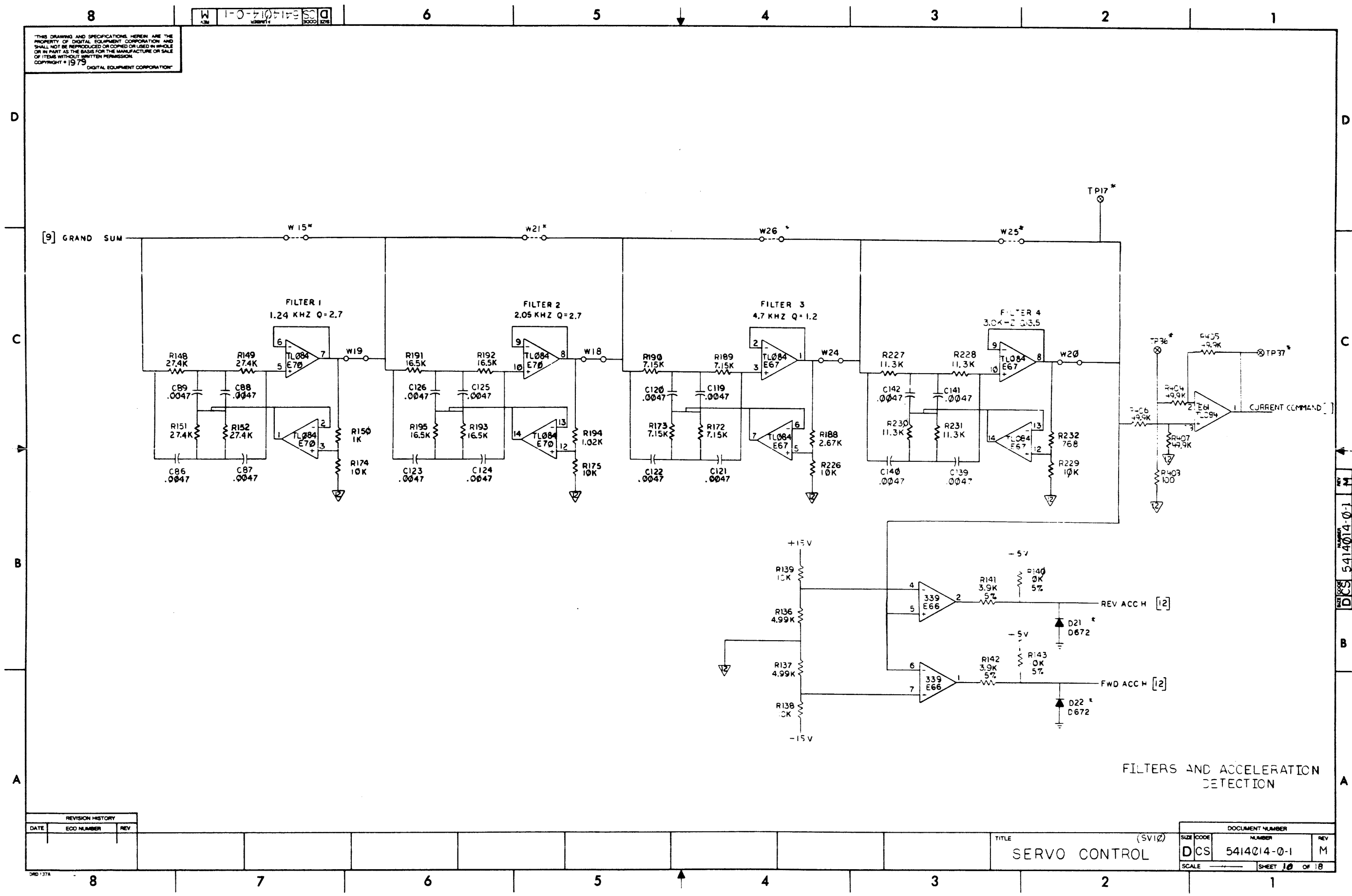
3

2

1

DCS 5414014-0-1 M

THIS DRAWING AND SPECIFICATIONS HEREIN ARE THE PROPERTY OF DIGITAL EQUIPMENT CORPORATION AND SHALL NOT BE REPRODUCED OR COPIED OR USED IN WHOLE OR IN PART AS THE BASIS FOR THE MANUFACTURE OR SALE OF ITEMS WITHOUT WRITTEN PERMISSION. COPYRIGHT © 1975 DIGITAL EQUIPMENT CORPORATION



FILTERS AND ACCELERATION DETECTION

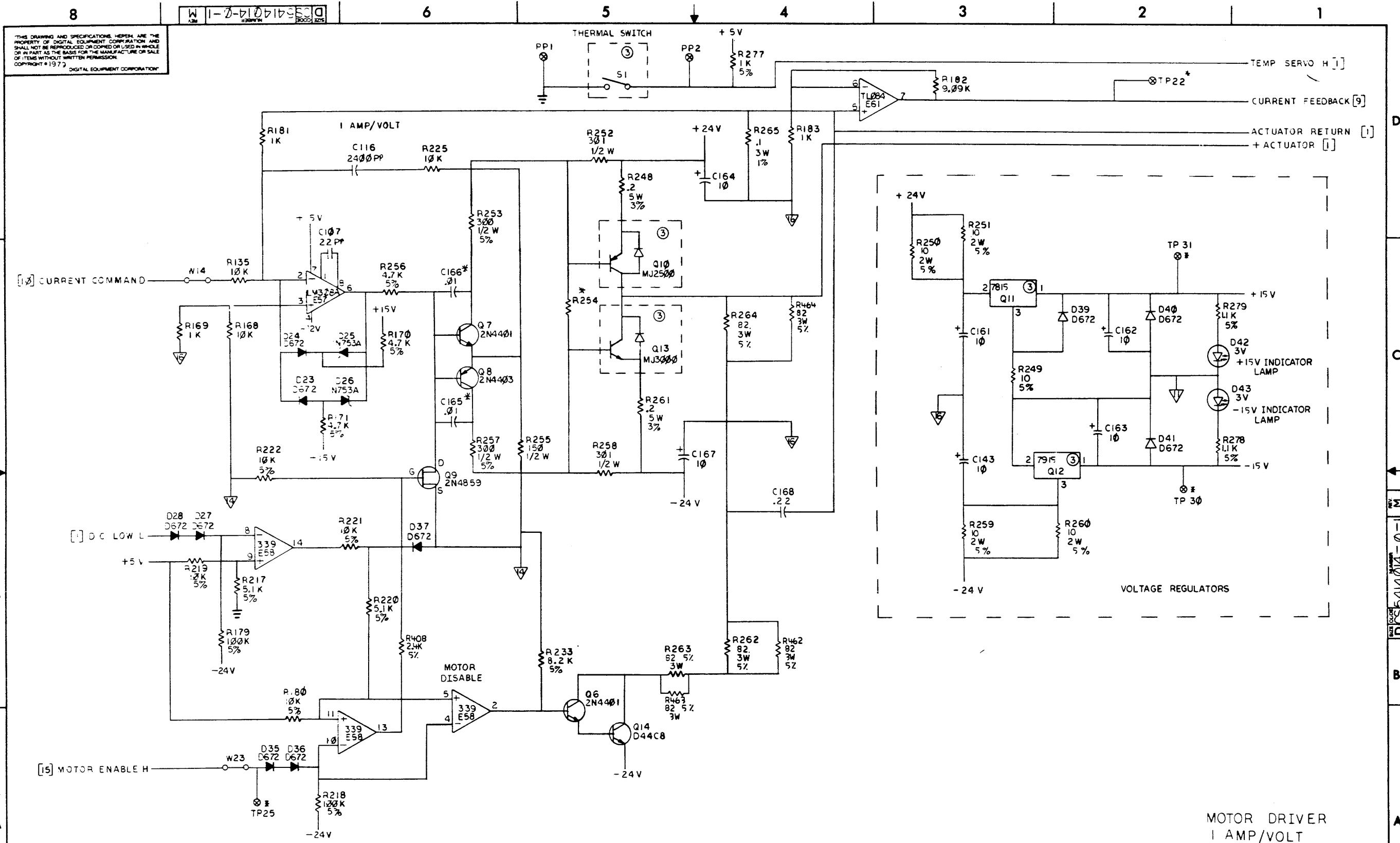
REVISION HISTORY		
DATE	ECCO NUMBER	REV

TITLE (SV12)
SERVO CONTROL

DOCUMENT NUMBER		
SIZE CODE	NUMBER	REV
DCS	5414014-0-1	M
SCALE	SHEET 10 OF 18	

DCS 5414014-0-1 M

THIS DRAWING AND SPECIFICATIONS HEREIN ARE THE PROPERTY OF DIGITAL EQUIPMENT CORPORATION AND SHALL NOT BE REPRODUCED OR COPIED OR USED IN WHOLE OR IN PART AS THE BASIS FOR THE MANUFACTURE OR SALE OF ITEMS WITHOUT WRITTEN PERMISSION. COPYRIGHT © 1977 DIGITAL EQUIPMENT CORPORATION

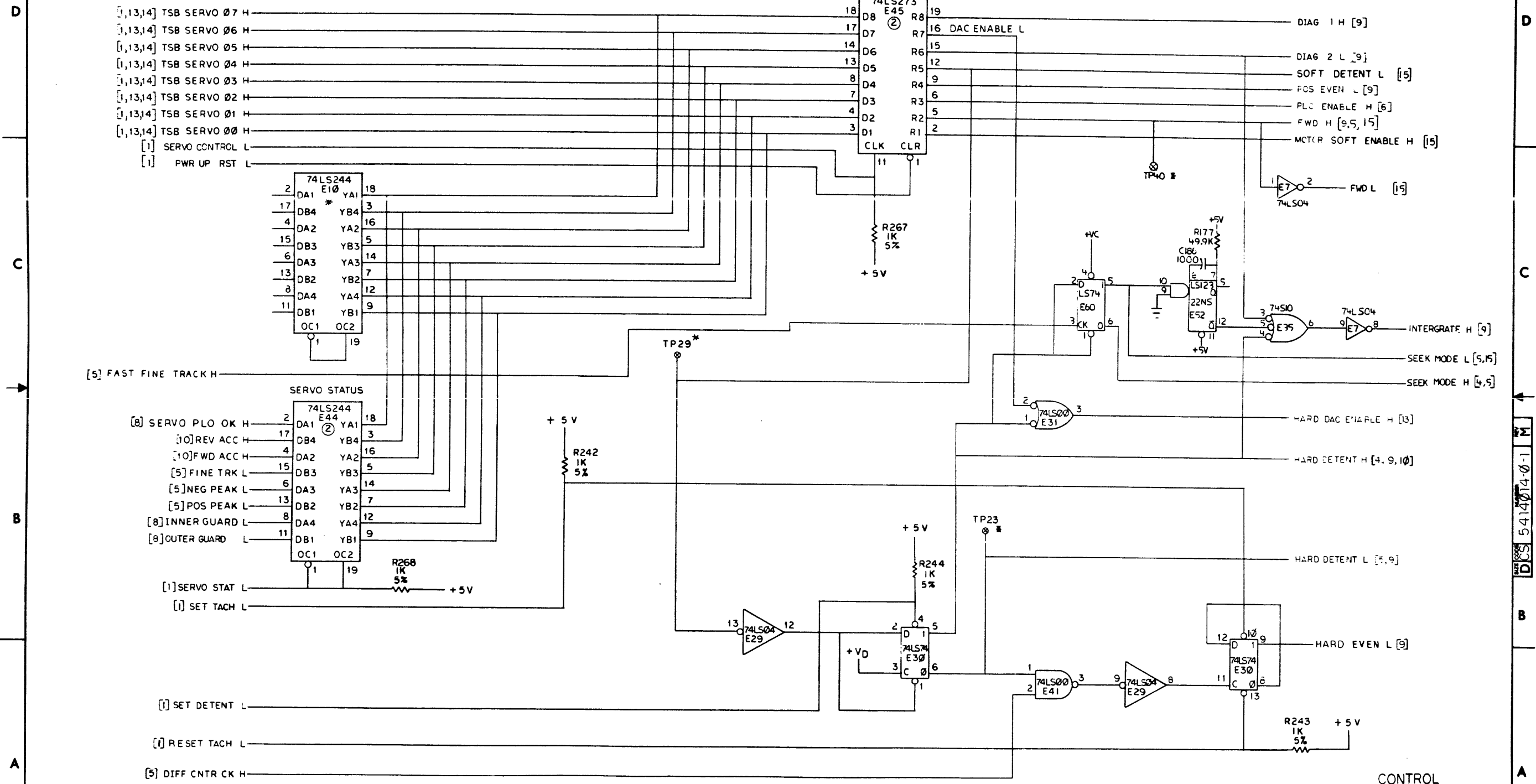


REVISION HISTORY		
DATE	ECO NUMBER	REV

TITLE (SV11)
SERVO CONTROL

DOCUMENT NUMBER		
SIZE CODE	NUMBER	REV
DCS	5414014-0-1	M
SCALE	SHEET 11 OF 8	

THIS DRAWING AND SPECIFICATIONS HEREIN ARE THE PROPERTY OF DIGITAL EQUIPMENT CORPORATION AND SHALL NOT BE REPRODUCED OR COPIED OR USED IN WHOLE OR IN PART AS THE BASIS FOR THE MANUFACTURE OR SALE OF ITEMS WITHOUT WRITTEN PERMISSION.
 COPYRIGHT © 1979 DIGITAL EQUIPMENT CORPORATION

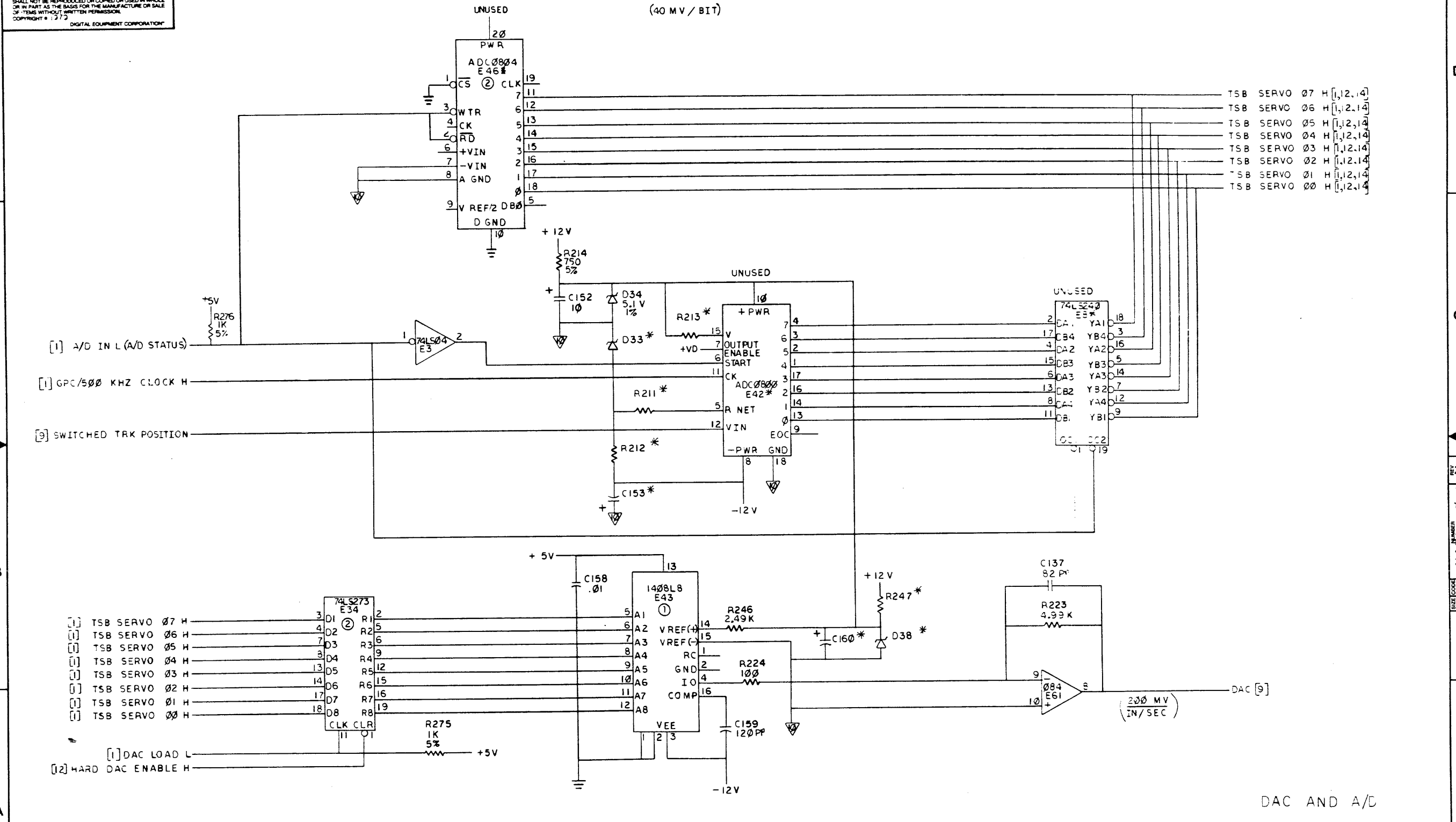


CONTROL INTERFACE

REVISION HISTORY		
DATE	ECO NUMBER	REV

TITLE	SIZE CODE	DOCUMENT NUMBER	REV.
SERVO CONTROL (SV12)	DCS	5414014-01	M
SCALE	SHEET 12 OF 18		

THIS DRAWING AND SPECIFICATIONS HEREIN ARE THE PROPERTY OF DIGITAL EQUIPMENT CORPORATION AND SHALL NOT BE REPRODUCED OR COPIED OR USED IN WHOLE OR IN PART AS THE BASIS FOR THE MANUFACTURE OR SALE OF ITEMS WITHOUT WRITTEN PERMISSION.
 COPYRIGHT © 1972
 DIGITAL EQUIPMENT CORPORATION

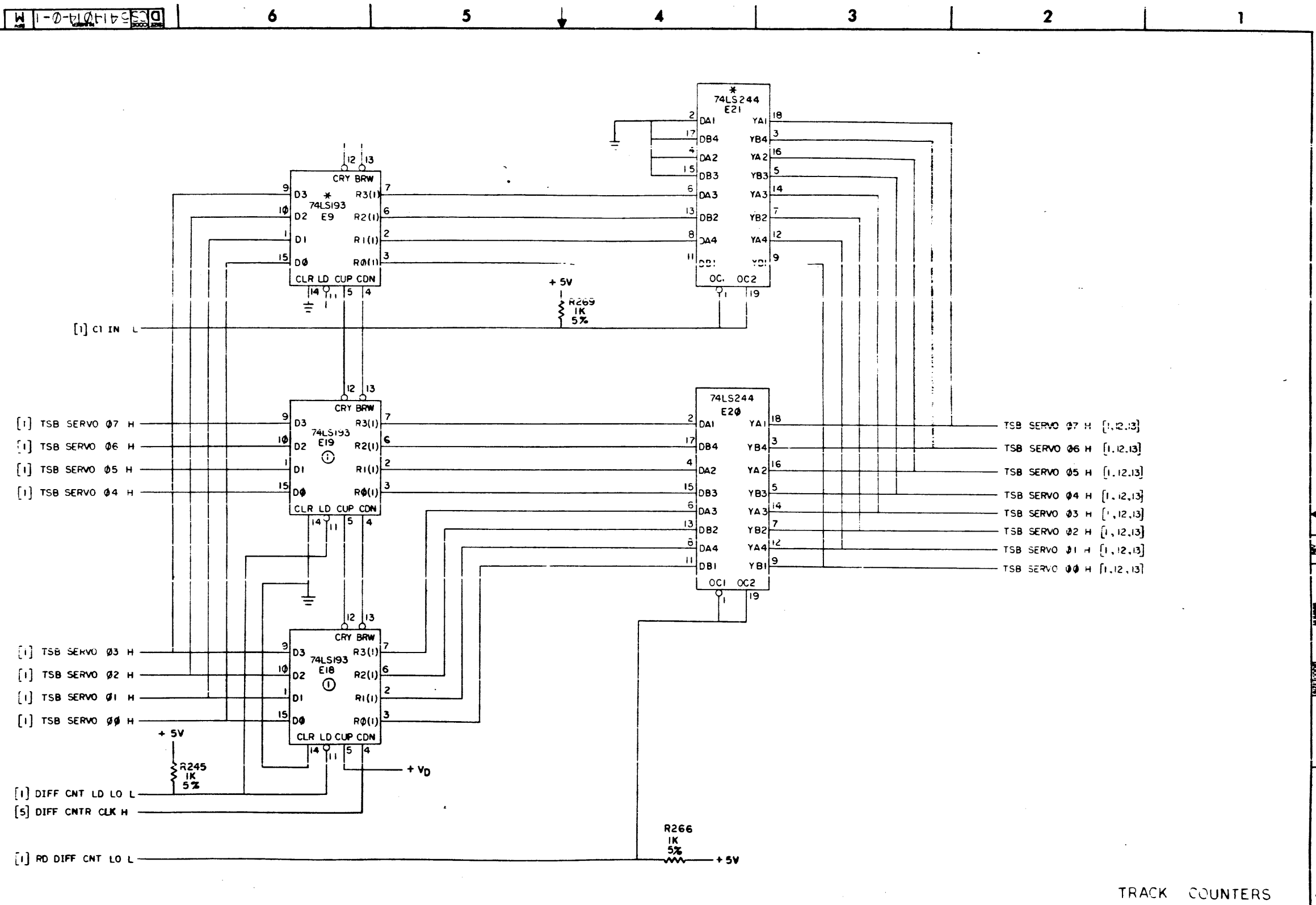


REVISION HISTORY		
DATE	ECO NUMBER	REV

DOCUMENT NUMBER		
SIZE	CODE	NUMBER
DCS	5414014-0-1	M
SCALE		SHEET 3 OF 8

TITLE SERVO CONTROL (SV13)

THIS DRAWING AND SPECIFICATIONS HEREIN ARE THE PROPERTY OF DIGITAL EQUIPMENT CORPORATION AND SHALL NOT BE REPRODUCED OR COPIED OR USED IN WHOLE OR IN PART AS THE BASIS FOR THE MANUFACTURE OR SALE OF ITEMS WITHOUT WRITTEN PERMISSION
 COPYRIGHT © 1970 DIGITAL EQUIPMENT CORPORATION



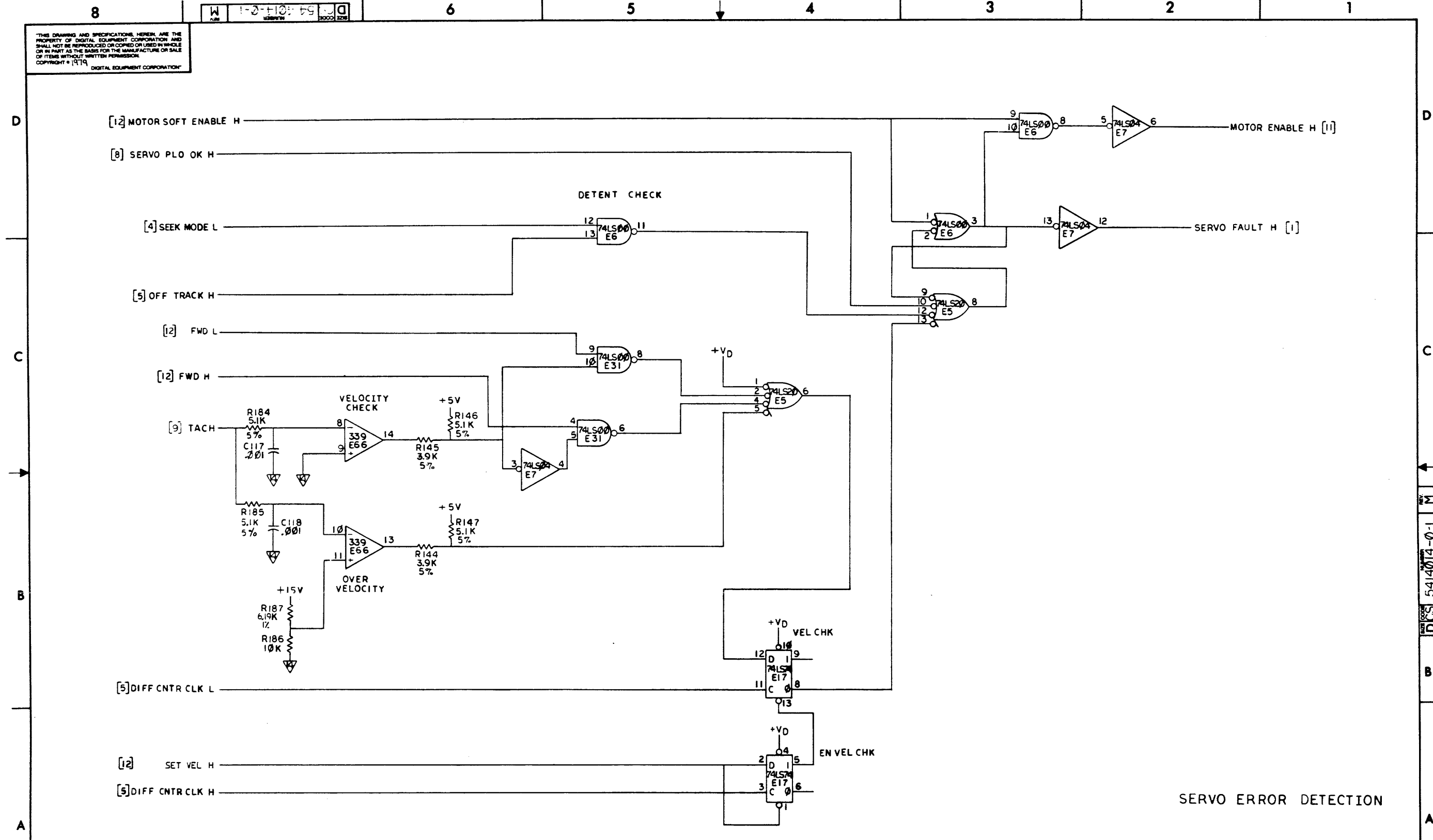
TRACK COUNTERS

REVISION HISTORY		
DATE	ECO NUMBER	REV

TITLE (SV14)
 SERVO CONTROL

DOCUMENT NUMBER		
SIZE CODE	NUMBER	REV
D	CS 5414014-0-1	M
SCALE	SHEET 14 OF 18	

THIS DRAWING AND SPECIFICATIONS HEREIN ARE THE PROPERTY OF DIGITAL EQUIPMENT CORPORATION AND SHALL NOT BE REPRODUCED OR COPIED OR USED IN WHOLE OR IN PART AS THE BASIS FOR THE MANUFACTURE OR SALE OF ITEMS WITHOUT WRITTEN PERMISSION.
 COPYRIGHT © 1974 DIGITAL EQUIPMENT CORPORATION



REVISION HISTORY		
DATE	ECO NUMBER	REV.

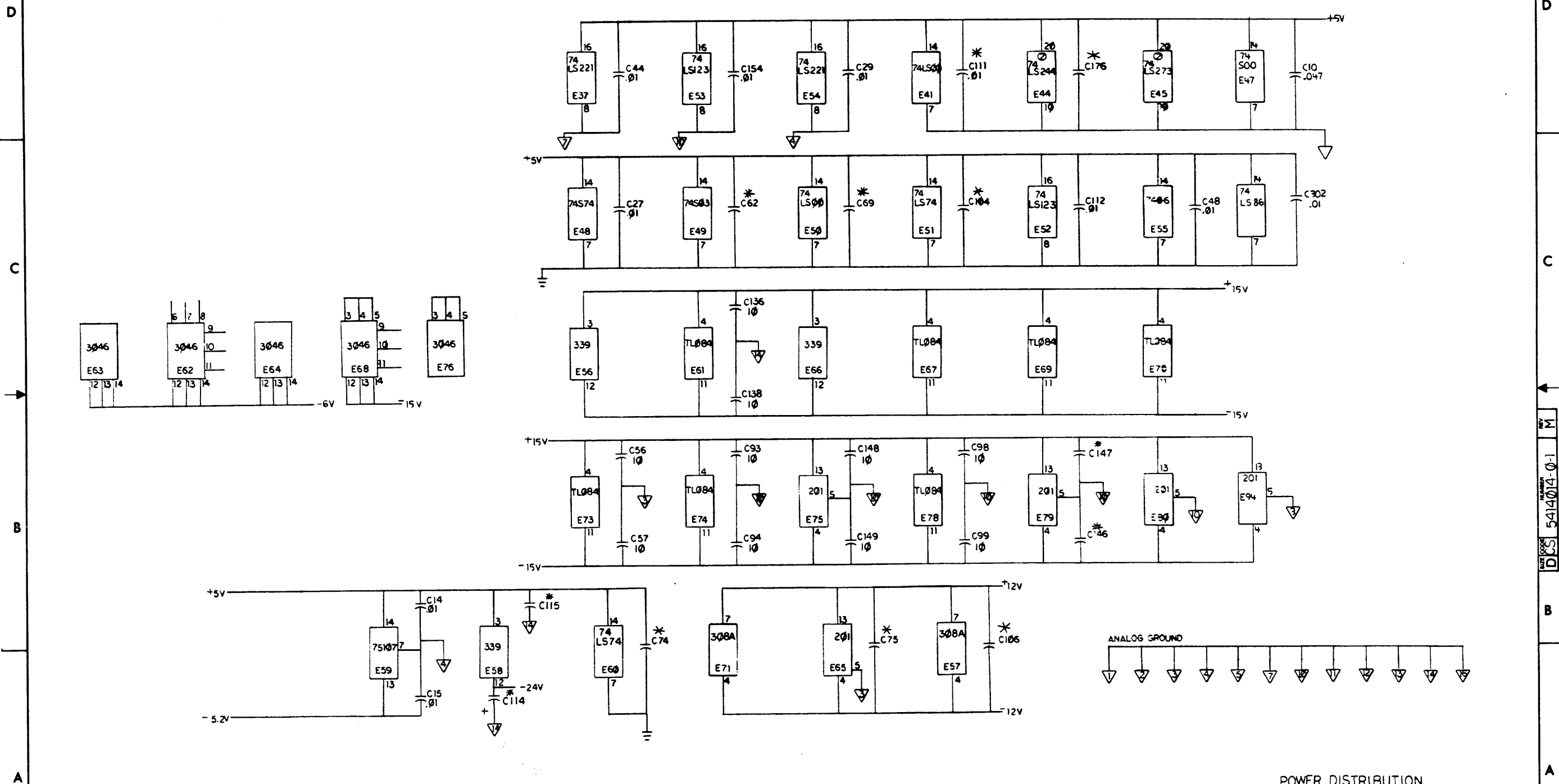
TITLE
 SERVO CONTROL (SV15)

DOCUMENT NUMBER		
SIZE CODE	NUMBER	REV.
DCS	5414014-0-1	M
SCALE		SHEET 15 OF 18

DCS 5414014-0-1 M

THIS DRAWING AND SPECIFICATIONS HEREIN ARE THE PROPERTY OF DIGITAL EQUIPMENT CORPORATION AND SHALL NOT BE REPRODUCED OR COPIED IN WHOLE OR IN PART AS THE BASIS FOR THE MANUFACTURE OR SALE OF ITEMS WITHOUT WRITTEN PERMISSION.
 COPYRIGHT © 1979 DIGITAL EQUIPMENT CORPORATION

8 6 5 4 3 2 1



POWER DISTRIBUTION

REVISION HISTORY		
DATE	ECC NUMBER	REV.

TITLE
 SERVO CONTROL (SV17)

DOCUMENT NUMBER		
SIZE	NUMBER	REV.
DCS	5414014-0-1	M
SCALE	SHEET 17 OF 18	

8 7 6 5 4 3 2 1

LINE	ITEM	TOP DOCUMENT	PART NUMBER	MIN REV	DESCRIPTION	QTY	PER VARIATION	REFERENCE DESIGNATOR
						00		
1	1		5013595-00		DRILL & ETCH BD	1		
2	2		1013466-30		560.0 MMF 50V 5% CER	1		C54
3	3		1214434-00		PCB,HEADER 07PIN(1X06).100CC 90D	1		J501
4	4		1916543-00		7806 VOLT REG, FIX +6V	1		E11
5	5		1916574-00		10114 RECEIVER, LINE, TRIPL	3		E14, E15, E21
6	6		1013466-13		39.0 MMF 50V 5% CER	3		C4, C44, C45
7	7		1013466-07		220.0 MMF 50V 5% CER	3		C32, C35, C39
8	8		1013466-06		100.0 MMF 50V 5% CER	2		C40, C41
9	9		1216832-00		PCB,HEADER 20POS(2X10).100CC 90D	1		J503
10	10		1316839-00		715.0 .25 W 1.0 % RN55D-F10	2		R23, R26
11	11		1316837-00		412.0 .25 W 1.0 % RN55D-F10	1		R48
12	12		1316842-00		6.34 K .25 W 1.0 % RN55D-F10	1		R72
13	13		1316840-00		931.0 .25 W 1.0 % RN55D-F10	1		R100
14	14		1316836-00		402.0 .25 W 1.0 % RN55D-F10	2		R121, R122
15	15		1316845-00		3.30 .50 W 5.0 % CF	1		R129
16	16		1216832-03		PCB,HEADER 50POS(2X25).100CC 90D	1		J502
17	17		1001610-00		.01 MFD 50V +80-20% Z5U CER	39		C1, C3, C5, C7, C8, C10, C12-C19, C22, C23, C25-C28, C30, C33, C34, C36, C37, C42, C43, C46-C50, C53, C55, C57-C61
18	18		1017472-00		10 MFD 35V +50-10% AL EL	7		C2, C6, C9, C11, C56, C20, C24
19	19		1004813-00		*** THIS ITEM IS NOT USED ***	-		
20	20		1013466-05		56.0 MMF 50V 5% CER	2		C51, C52
21	21		1105796-00		PIV= 400 IO= 1.00A 1N4004 DO-41	2		D3, D4
22	22		1113003-00		PIV= 55 IO=200 MA - 4NS 1N5282	8		D1, D2, D5-D10
23	23		1316575-00		10.0 2.0 W 5.0 % CC	3		R1, R18, R19
24	24		1300197-00		33.0 .25 W 5.0 % CF	2		R115, R116
25	25		1300202-00		47.0 .25 W 5.0 % CF	2		R124, R125
26	26		1300229-00		100.0 .25 W 5.0 % CF	1		R42
27	27		1300250-00		150.0 .25 W 5.0 % CF	1		R7
28	28		1300316-00		470.0 .25 W 5.0 % CF	14		R5, R10, R11, R12, R14, R15, R16, R20,

REVISION HISTORY			BASIC PART NO: 5413596		DRN:	H. WEINBRENNER	DATE: 18-APR-79	DIGITAL			
ENG	ECO NUMBER	REV	SECTION A	OF A	CHK'D:	A. SIMM	DATE: 18-APR-79	TITLE PARTS LIST			
JH	5413596-CX002	E	SECTION VARIATION INDEX					READ/WRITE 1			
JH	5413596-CX003	F	[A] 00								
JH	5413596-CX004	H	[B]								
			[C]		DES.ENG:	J. HARRELL	DATE: 29-APR-79	DOCUMENT NUMBER			
			[D]					SIZE	CODE	NUMBER	REV
			[E]		RESP.ENG.:	M. HAMMER	DATE: 29-APR-79	K	PL	5413596-0-DBP	H
			[F]								
			[G]								
			[H]		MFG.ENG.:	A. MORGAN	DATE: 29-APR-79	RELEASE DATE:			
			[I]								
			[J]		ASSEMBLY NUMBER:		TOP DOCUMENT NUMBER:	FILE NAME:	EDIT #		
			[K]		E-UA-5413596-0-0		# B-DD-5413596-0	Z0506H.PLS	19		
			[L]								
			[M]								
			[N]								

"THIS DRAWING AND THE SPECIFICATIONS CONTAINED HEREIN ARE CONFIDENTIAL AND PROPRIETARY. THEY ARE THE PROPERTY OF DIGITAL EQUIPMENT CORPORATION AND SHALL NOT BE REPRODUCED OR COPIED OR USED IN WHOLE OR IN PART AS THE BASIS FOR THE MANUFACTURE OR SALE OF ITEMS WITHOUT WRITTEN PERMISSION. THIS IS AN UNPUBLISHED WORK PROTECTED UNDER THE FEDERAL COPYRIGHT LAWS."

LINE	ITEM	TOP DOCUMENT	PART NUMBER	MIN REV	DESCRIPTION	QTY	PER VARIATION	REFERENCE DESIGNATOR
						00		
29	29		1300365-00		1.0 K .25 W 5.0 % CF	11	CONT	R21,R73,R76,R88,R89,R130 R3,R4,R25,R28,R47,R51,R52,R56, R87,R110,R112
30	30		1300447-00		4.70 K .25 W 5.0 % CF	1		R208
31	31		1301317-00		10.0 .25 W 5.0 % CF	1		R44
32	32		1301320-00		1.20 K .25 W 5.0 % CF	1		R75
33	33		1301424-00		680.0 .25 W 5.0 % CF	2		R78,R79
34	34		1301425-00		300.0 .25 W 5.0 % CF	2		R6,R13
35	35		1301477-00		82.0 .25 W 5.0 % CF	4		R8,R9,R17,R126
36	36		1301775-00		820.0 .25 W 5.0 % CF	3		R40,R41,R45
37	37		1301969-00		22.0 .25 W 5.0 % CF	1		R128
38	38		1302136-00		5.10 1.0 W 5.0 % CC	1		R107
39	39		1302411-00		511.0 .25 W 1.0 % RN55D-F10	4		R59,R60,R93,R94
40	40		1302612-00		1.78 K .25 W 1.0 % RN55D-F10	2		R66,R103
41	41		1302644-00		226.0 .25 W 1.0 % RN55D-F10	1		R68
42	42		1302645-00		1.10 K .25 W 1.0 % RN55D-F10	2		R90,R91
43	43		1302858-00		100.0 .25 W 1.0 % RN55D-F10	3		R86,R104,R111
44	44		1302871-00		1.21 K .25 W 1.0 % RN55D-F10	1		R99
45	45		1302956-00		196.0 .25 W 1.0 % RN55D-F10	3		R24,R27,R39
46	46		1302962-00		200.0 .25 W .10% RN55C-B 5	1		R123
47	47		1303037-00		90.90 .25 W 1.0 % RN55D-F10	1		R50
48	48		1303047-00		464.0 .25 W 1.0 % RN55D-F10	1		R55
49	49		1303312-00		10.0 K .25 W 1.0 % RN55D-F10	5		R54,R67,R81,R105,R106
50	50		1303378-00		10.0 .25 W 1.0 % RN55C-F 5	1		R85
51	51		1304857-00		237.0 .25 W 1.0 % RN55D-F10	2		R95,R98
52	52		1304858-00		348.0 .25 W 1.0 % RN55D-F10	9	CONT	R32,R33,R37,R38,R53,R57,R58,R69, R70
53	53		1305122-00		51.10 .25 W 1.0 % RN55D-F10	1		R71
54	54		1305123-00		215.0 .25 W 1.0 % RN55D-F10	2		R113,R114
55	55		1305125-00		383.0 .25 W 1.0 % RN55D-F10	1		R109
56	56		1305126-00		619.0 .25 W 1.0 % RN55D-F10	1		R101
57	57		1305128-00		5.62 K .25 W 1.0 % RN55D-F10	3		R49,R61,R64
58	58		1305252-00		68.10 K .25 W 1.0 % RN55D-F10	1		R65
59	59		1309143-03		50.0 .75 W20.0 % POT	1		R127
60	60		1309143-05		200.0 .75 W10.0 % POT	1		R74
61	61		1309143-08		2.0 K .75 W10.0 % POT	1		R46
62	62		1309413-00		3.83 K .25 W 1.0 % RN55D-F10	2		R77,R80
63	63		1313589-00		1.40 K .25 W 1.0 % RN55D-F10	2		R29,R34
64	64		1313596-00		20.0 K .25 W 1.0 % RN55D-F10	2		R119,R120
65	65		1313846-00		2.26 K .25 W 1.0 % RN55D-F10	1		R102
66	66		1314429-00		523.0 .25 W 1.0 % RN55D-F10	2		R30,R35
67	67		1314549-00		1.15 K .25 W 1.0 % RN55D-F10	2		R96,R97
68	68		1316254-00		R NETWORK 7-470 2.0 % 8PIN	1		R22
69	69	SEE NOTE 1	1316254-01		R NETWORK 7-4.7K 2.0 % 8PIN	3		R62,R63,R82
70	70		1509524-00		2N 3904 NPN 310MW SI 40 40 M	8		Q2,Q4,Q6,Q8-Q10,Q12,Q13
71	71		1509525-00		2N 3906 PNP 310MW SI 40100 Y	5		Q3,Q5,Q7,Q11,Q14
72	72		9009185-00		JUMPER, WIRE, INSULATED, BLACK B	1		W1
73	73		1602472-00		4.7 UH #1025-36	2		L2,L3

D	I	G	I	T	A	L	TITLE	SECTION A	OF A	SIZE	CODE	DOCUMENT NUMBER	REV
							READ/WRITE 1			K	PL	5413596-0-DBP	H

LINE ITEM	TOP DOCUMENT	PART NUMBER	MIN REV	DESCRIPTION	QTY PER VARIATION 00	REFERENCE DESIGNATOR
74	74	1603358-00		12.0 UH 10% 300MA #DD12.0	2	L4,L5
75	75	1616291-01		DELAY= 80NS,8TAPS	1	E17
76	76	1910047-00		74145 DECODER&DRIVER	1	E10
77	77	1910644-00		733 DIFFERENTIAL AMP,WID	1	E24
78	78	1910741-00		7406 INVERTER GATE-HEX 1I	2	E3,E4
79	79	1911399-00		10102 NOR GATE,QUAD 2IN	1	E20
80	80	1911414-00		10124 TTL TO ECL TRNSLTR	1	E6
81	81	1911416-00		10131 DUAL D MSTR/SL.FF	2	E13,E19
82	82	1912048-00	DEC	7812 VOLT REG,FIX +12V	1	E1
83	83	1913017-00		3046 XSISTOR ARRAY,3 ISOL	2	E16,E22
84	84	1914140-00	LM	311M VOLT CMPRTR	4	E2,E9,E18,E12
85	85	1914517-00		7912 VOLT REG,FIX -12V	1	E8
86	86	1916244-01		317 VOLT REG,VAR 1/37V	2	E5,E7
87	87	9006557-00		NUT,HEX EXT TOOTH LCKWSHR 4-40	7	
88	88	9008172-00		WASHER,FLAT SST	7	
89	89	9006011-01		SCREW,MACH PAN PHIL 4-	4	
90	90	1012312-00		.47 MFD 50V +80-20% CER	1	C62
91	91	1305124-00		287.0 .25 W 1.0 % RN55D-F10	1	R83
92	92	1013466-22		.1 MFD 50V +80-20% Z5U CER	4	C21,C29,C31,C38
93	93	1302931-00		49.90 .25 W 1.0 % RN55D-F10	2	R117,R118
94	94	1305108-00		1.47 K .25 W 1.0 % RN55D-F10	1	R92
95	95	1513489-00		2N 4401 NPN 350MW SI 40 20	1	Q1
96	96	1300479-00		10.0 K .25 W 5.0 % CF	1	R43
97	97	1302872-00		681.0 .25 W 1.0 % RN55D-F1	1	R84
98	98	1316846-00		15.0 2.0 W10.0 % CC	1	R2
99	99	9007791-00		TERM PCB 2POS SOLDER,TURRET	2	TP1,TP2
100	100	9006010-01		SCREW,MACH PAN PHIL 4-	3	
101	101	1910644-03	A	733 DIFFERENTIAL AMP,WID	1	E23

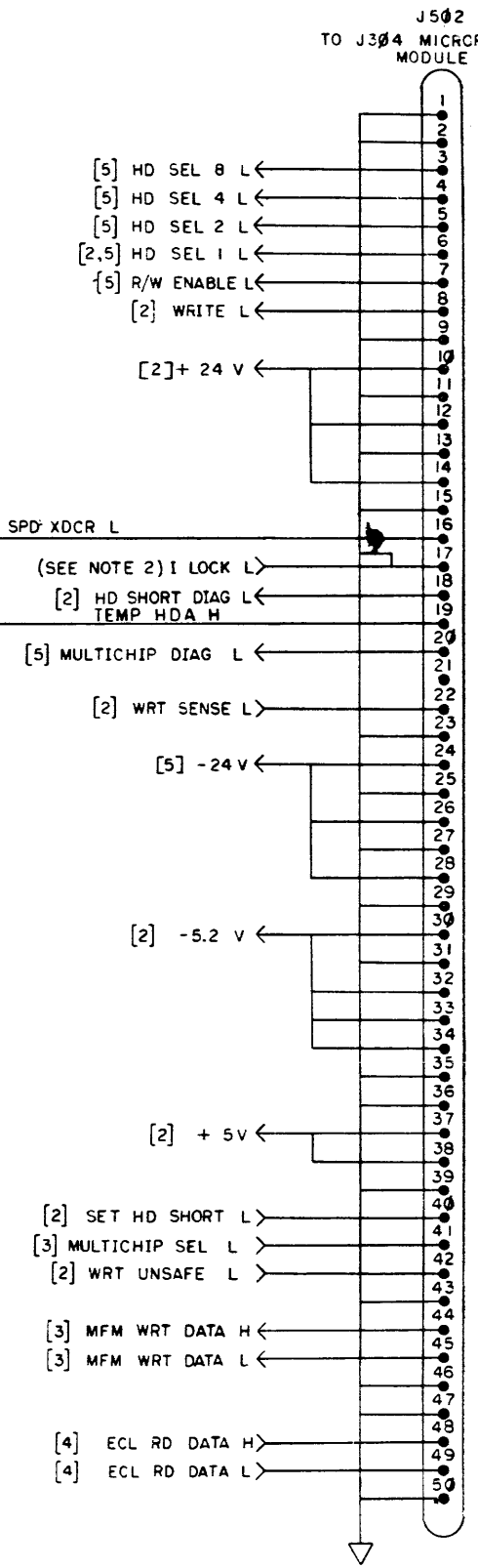
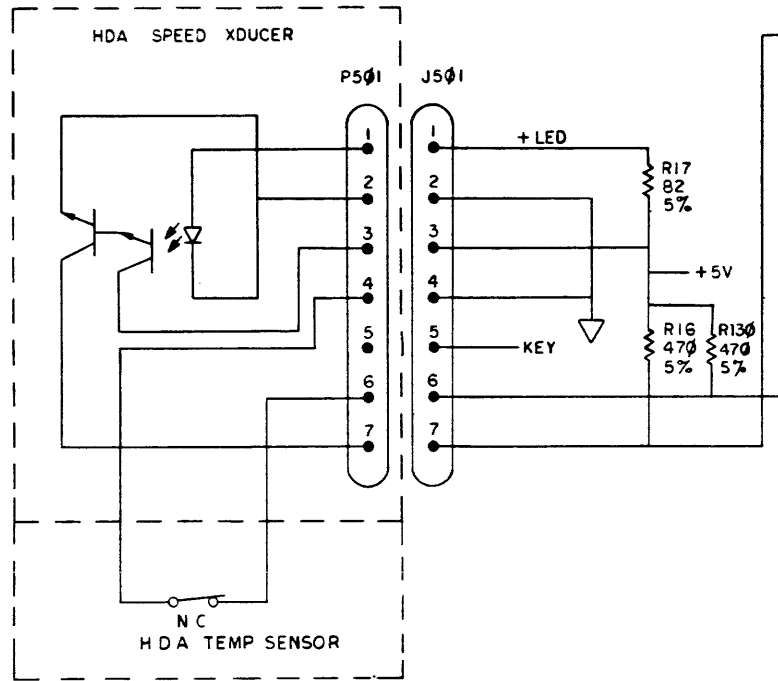
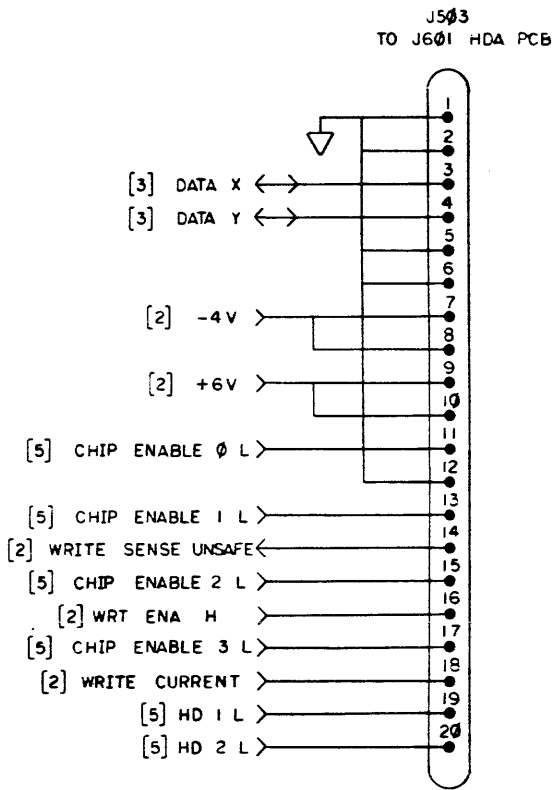
102 NOTE: NOTE 1. PART NUMBER IS FOR R. NETWORK 7-4.7K OHM RESISTOR
 103 NOTE: - WHICH IS WHAT PART SHOULD BE.
 104 NOTE: NOTE 2. CAUTION--- SEE NOTE 1 ON E-UA-5413596-0-0 FOR
 105 NOTE: - HARDWARE INSTALLATION.

D I G I T A L	TITLE	SECTION A OF A	SIZE	CODE	DOCUMENT NUMBER	REV
	READ/WRITE 1		K	PL	5413596-0-DBP	H

THIS DRAWING AND SPECIFICATIONS HEREIN ARE THE PROPERTY OF DIGITAL EQUIPMENT CORPORATION AND SHALL NOT BE REPRODUCED OR COPIED OR USED IN WHOLE OR IN PART AS THE BASIS FOR THE MANUFACTURE OR SALE OF ITEMS WITHOUT WRITTEN PERMISSION.
 COPYRIGHT © 1979
 DIGITAL EQUIPMENT CORPORATION

H 1-J-965179 D
 13596-0-1

NOTES:
 1. UNLESS OTHERWISE SPECIFIED:
 ALL RESISTORS ARE 1/4 W, 1%.
 ALL RESISTOR VALUES ARE IN OHMS.
 ALL CAPACITOR VALUES ARE IN MICROFARADS.
 2. "I LOCK L" IS GROUND SOURCE FOR MODULE INTERLOCK SYSTEM.

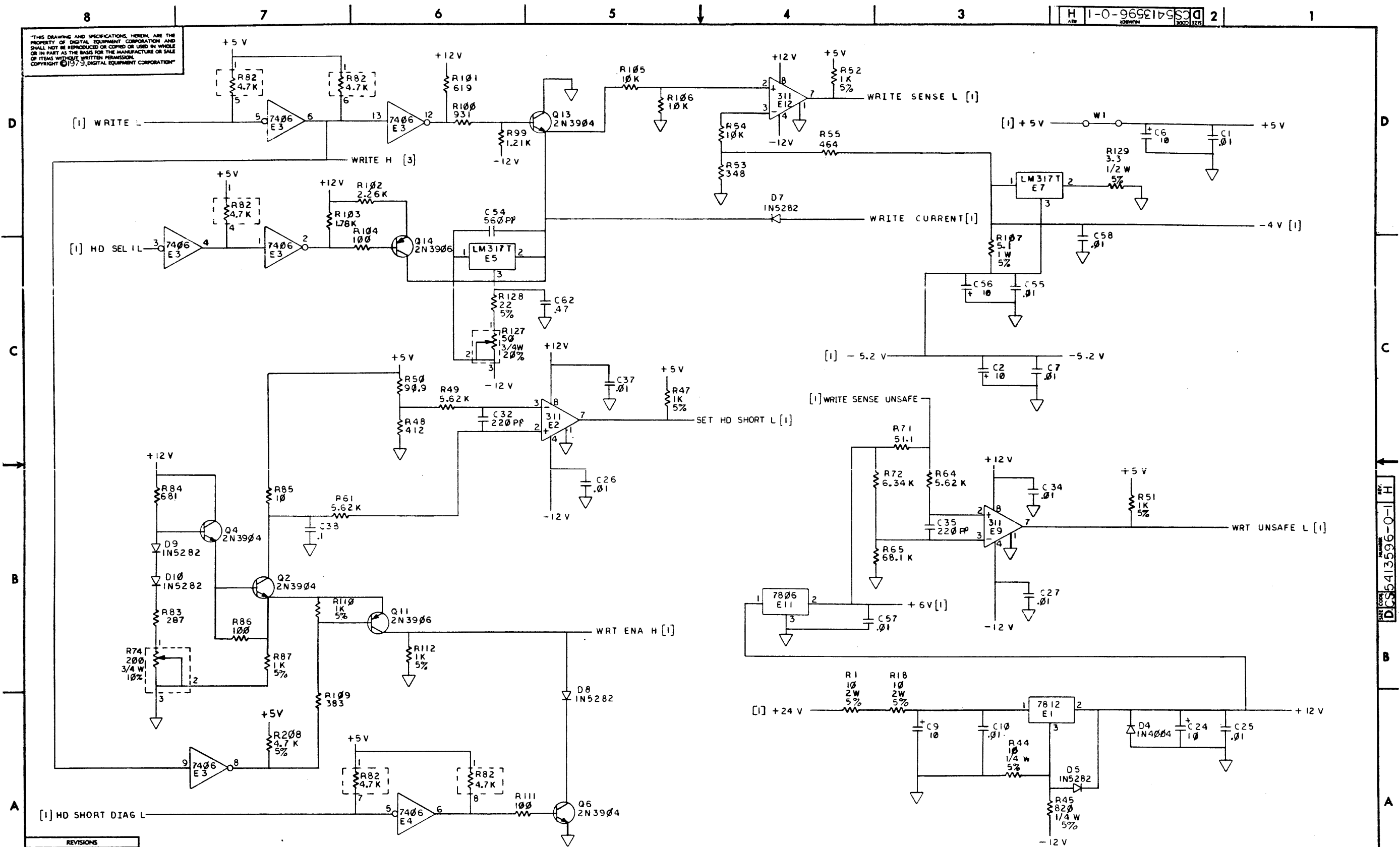


REV	D	E	F	I
ECO NUMBER	5413596-CX001	5413596-CX002	5413596-CX003	5413596-CX004
DATE	10/1/79	10/1/79	10/1/79	10/1/79
BY	J. HARRELL	J. HARRELL	T.K. 20 FEB 83	J. HARRELL
REASON				
DATE	10/1/79	10/1/79	10/1/79	10/1/79
BY	J. HARRELL	J. HARRELL	J. HARRELL	J. HARRELL
REASON				

DATE	12/30/79	TITLE	digital
DATE	19/Jul/79	READ/WRITE I	(RWI)
DATE	10/1/79	DOCUMENT NUMBER	D CS 5413596-0-1 H
DATE	10/1/79	SCALE	SHEET 1 OF 6

D CS 5413596-0-1 H

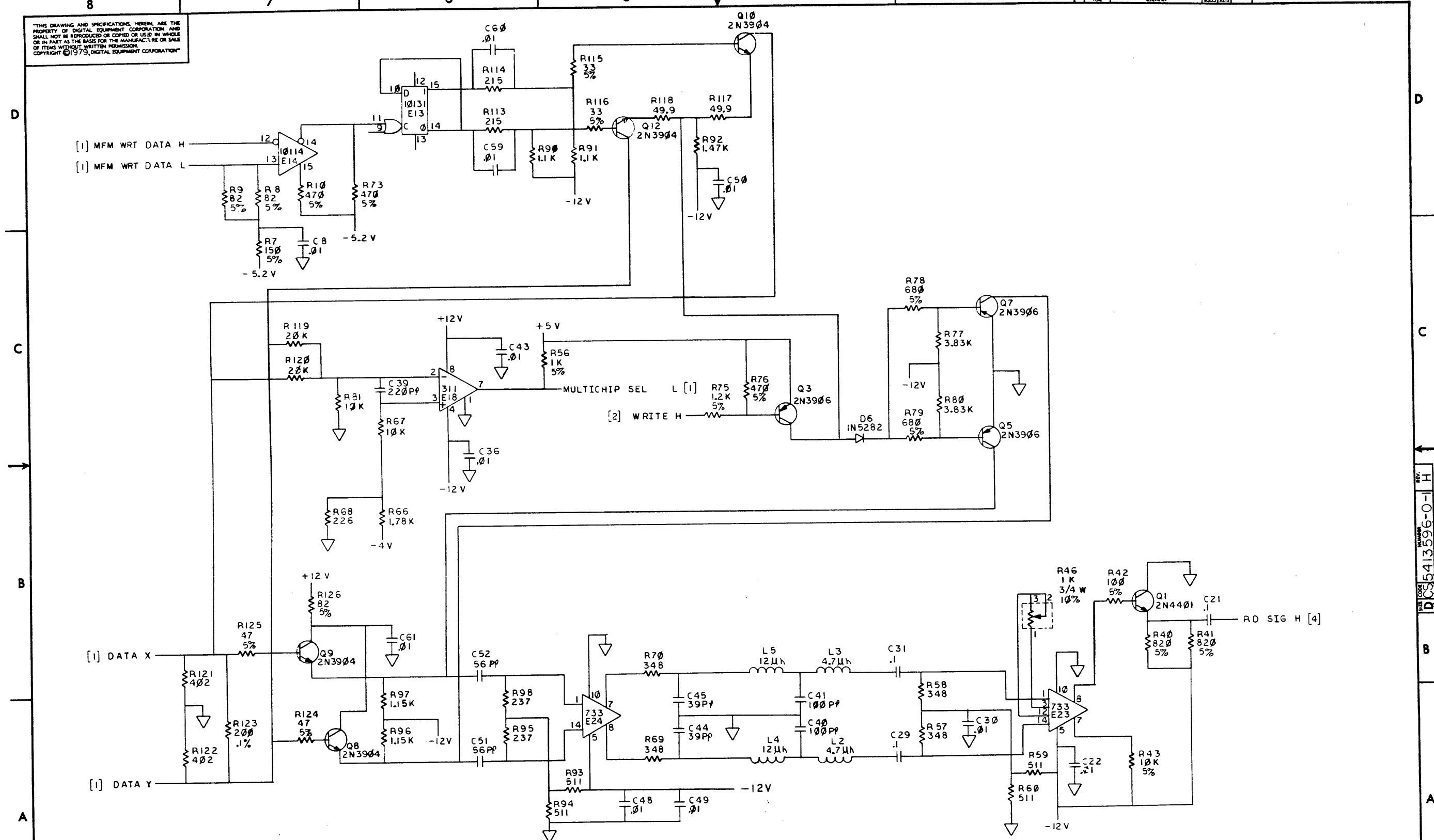
THIS DRAWING AND SPECIFICATIONS HEREIN ARE THE PROPERTY OF DIGITAL EQUIPMENT CORPORATION AND SHALL NOT BE REPRODUCED OR COPIED OR USED IN WHOLE OR IN PART AS THE BASIS FOR THE MANUFACTURE OR SALE OF ITEMS WITHOUT WRITTEN PERMISSION. COPYRIGHT © 1973, DIGITAL EQUIPMENT CORPORATION



REVISIONS		
CHK	CHANGE NO.	REV.

TITLE	(RW2)	SIZE/COOR	NUMBER	REV.
READ/WRITE 1		DCS 5413596-0-1	H	
SCALE	SHEET 2 OF 6	DIST.		

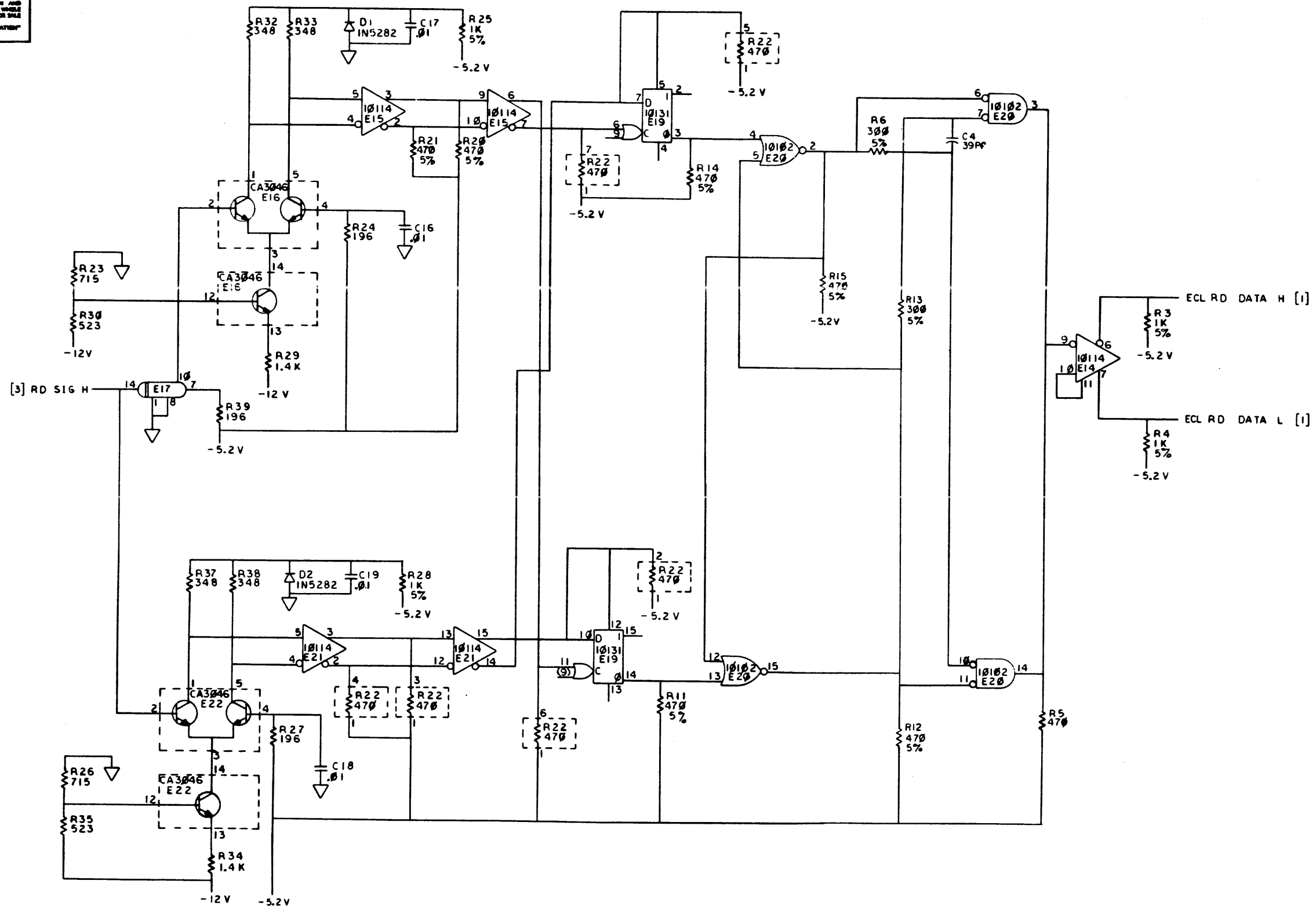
THIS DRAWING AND SPECIFICATIONS, HEREIN, ARE THE PROPERTY OF DIGITAL EQUIPMENT CORPORATION AND SHALL NOT BE REPRODUCED OR COPIED OR USED IN WHOLE OR IN PART AS THE BASIS FOR THE MANUFACTURE OR SALE OF ITEMS WITHOUT WRITTEN PERMISSION. COPYRIGHT © 1975, DIGITAL EQUIPMENT CORPORATION



REVISIONS		
CHK	CHANGE NO.	REV.

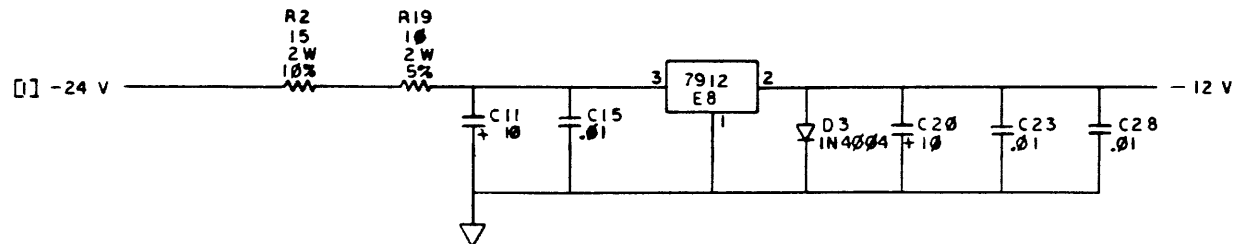
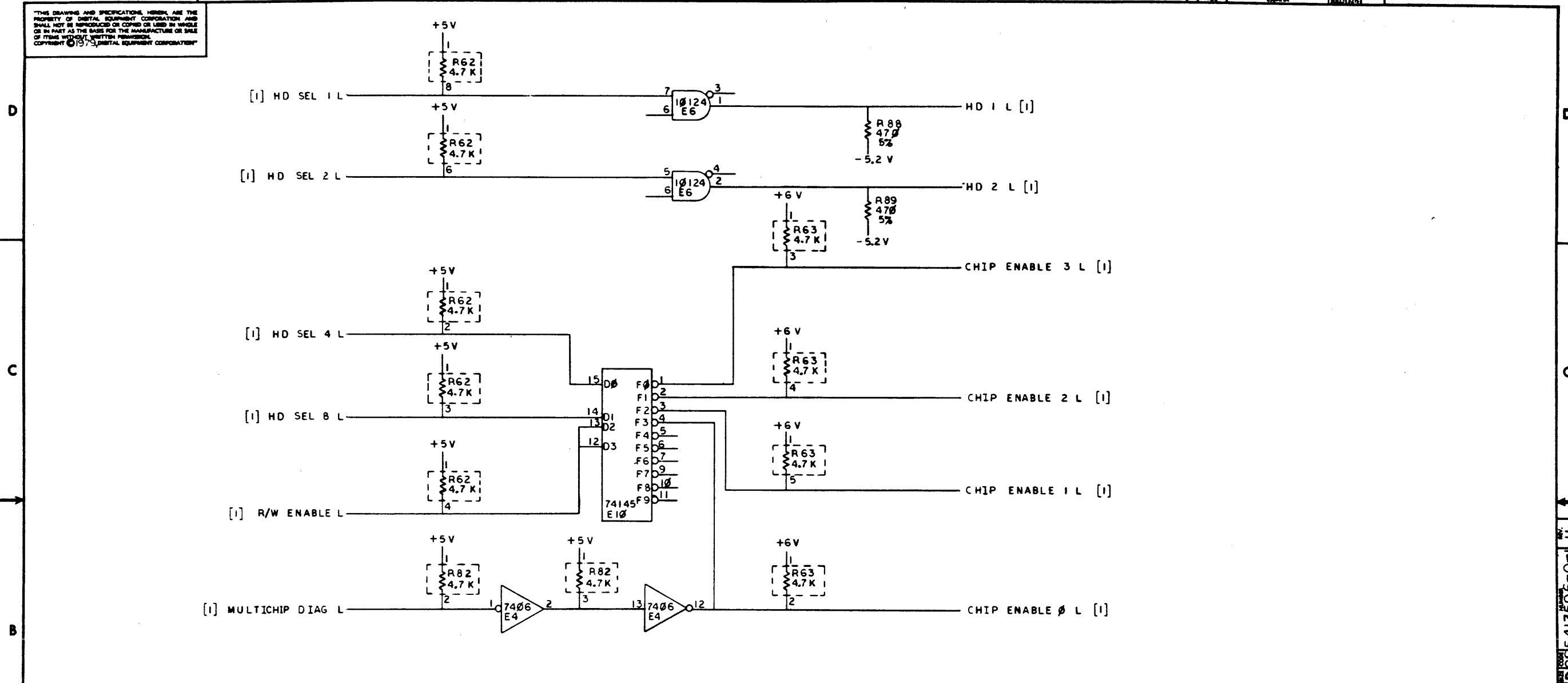
TITLE	(RW3)	SIZE CODE	NUMBER	REV.
READ/WRITE 1		DCS 5413596-0-1	H	
SCALE	SHEET	OF	DIST.	
	3	6		

"THE DRAWING AND SPECIFICATIONS HEREIN ARE THE PROPERTY OF DIGITAL EQUIPMENT CORPORATION AND SHALL NOT BE REPRODUCED OR COPIED OR USED IN WHOLE OR IN PART AS THE BASIS FOR THE MANUFACTURE OR SALE OF ITEMS WITHOUT WRITTEN PERMISSION. COPYRIGHT © 1973 DIGITAL EQUIPMENT CORPORATION"



REVISIONS		
CHK	CHANGE NO.	REV.

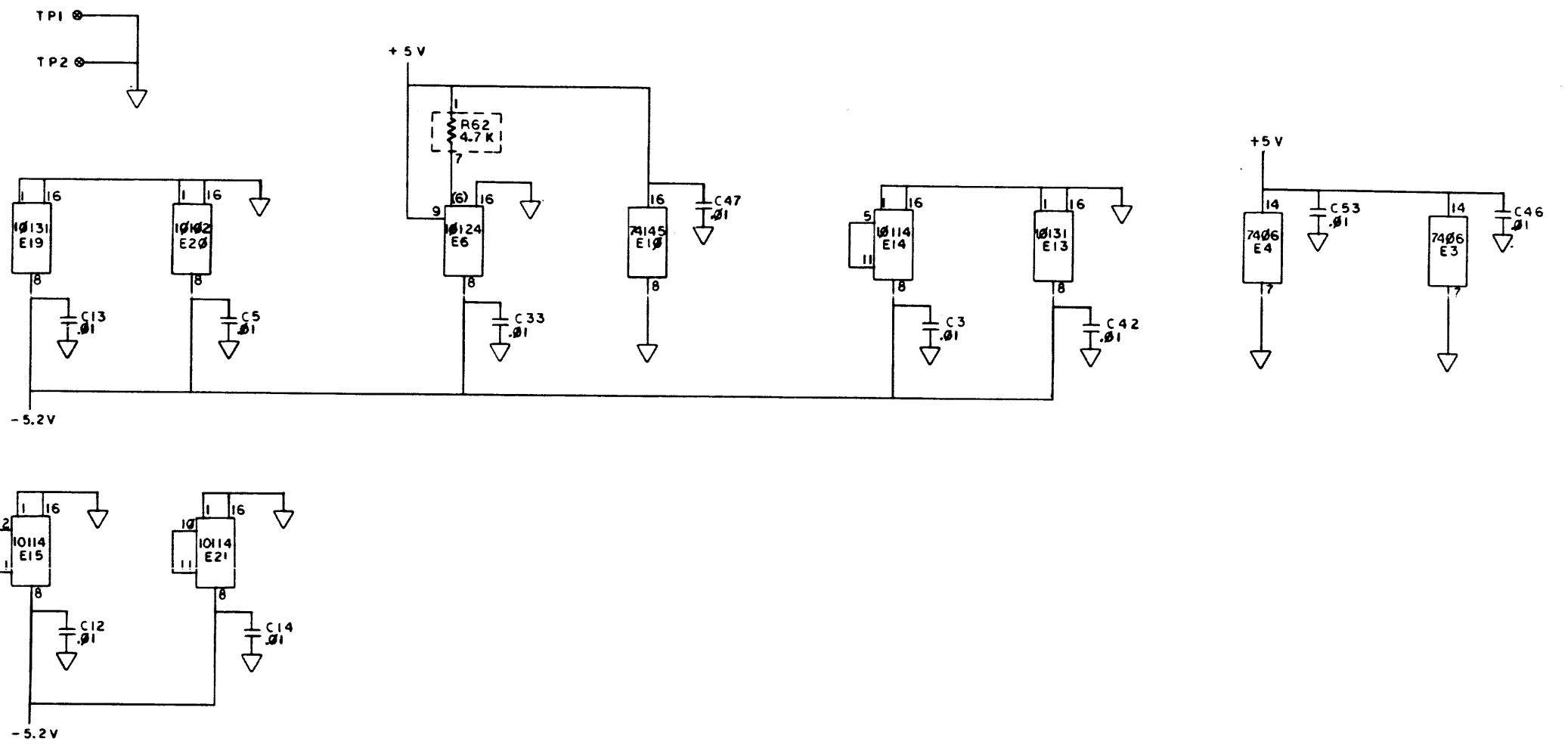
THIS DRAWING AND SPECIFICATIONS HEREIN ARE THE PROPERTY OF DIGITAL EQUIPMENT CORPORATION AND SHALL NOT BE REPRODUCED OR COPIED OR USED IN WHOLE OR IN PART AS THE BASIS FOR THE MANUFACTURE OR SALE OF ITEMS WITHOUT WRITTEN PERMISSION. COPYRIGHT © 1973 DIGITAL EQUIPMENT CORPORATION



REVISIONS		
CHK	CHANGE NO.	REV.

DCS 5413596-0-1 H

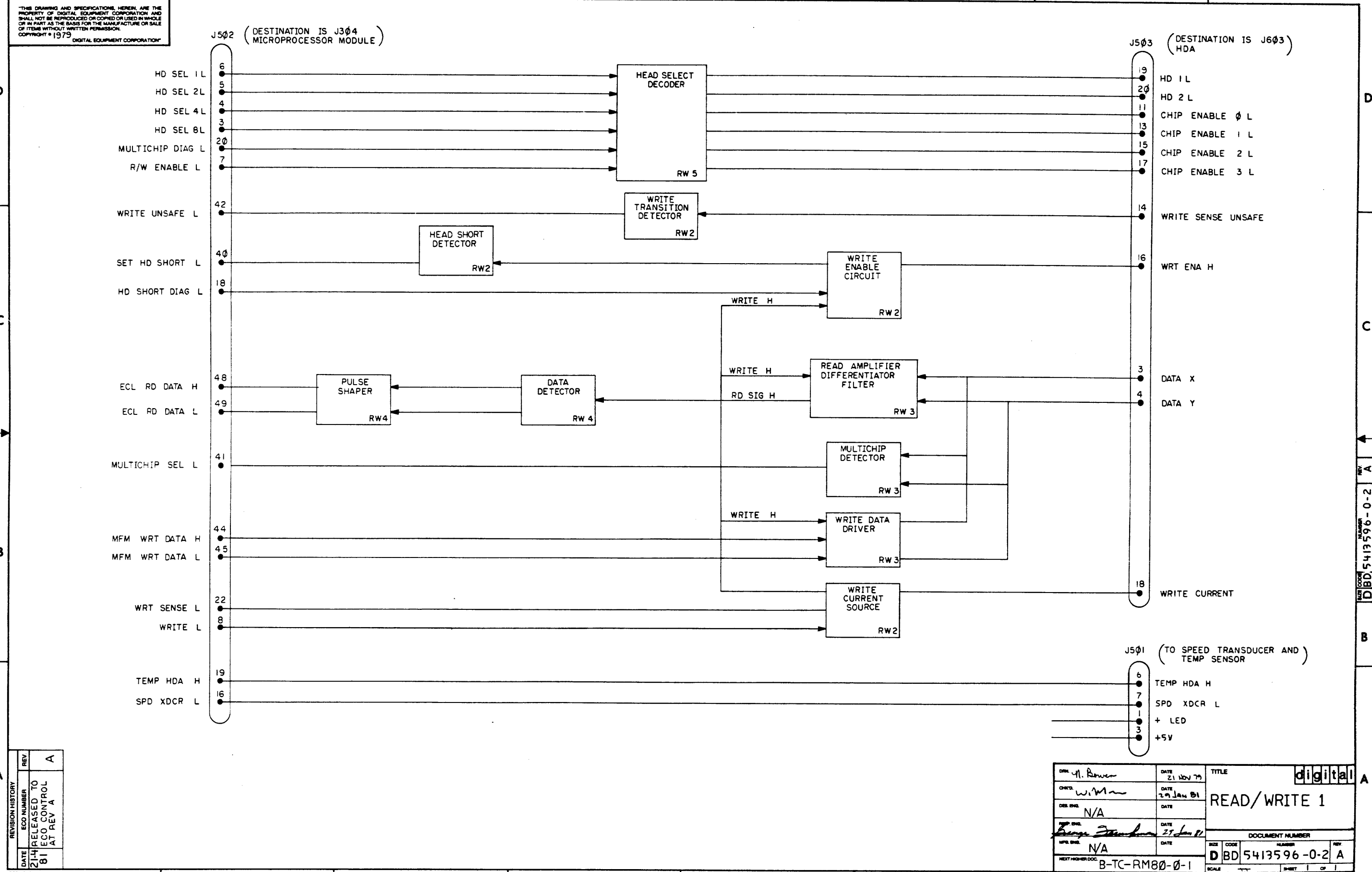
THIS DRAWING AND SPECIFICATIONS HEREON ARE THE PROPERTY OF DIGITAL EQUIPMENT CORPORATION AND SHALL NOT BE REPRODUCED OR COPIED OR USED IN WHOLE OR IN PART AS THE BASIS FOR THE MANUFACTURE OR SALE OF ITEMS WITHOUT WRITTEN PERMISSION. COPYRIGHT © 1975, DIGITAL EQUIPMENT CORPORATION



REVISIONS		
CHK	CHANGE NO.	REV.

THIS DRAWING AND SPECIFICATIONS, HEREIN, ARE THE PROPERTY OF DIGITAL EQUIPMENT CORPORATION AND SHALL NOT BE REPRODUCED OR COPIED OR USED IN WHOLE OR IN PART AS THE BASIS FOR THE MANUFACTURE OR SALE OF ITEMS WITHOUT WRITTEN PERMISSION. COPYRIGHT © 1979 DIGITAL EQUIPMENT CORPORATION

V 2-0-96531H508

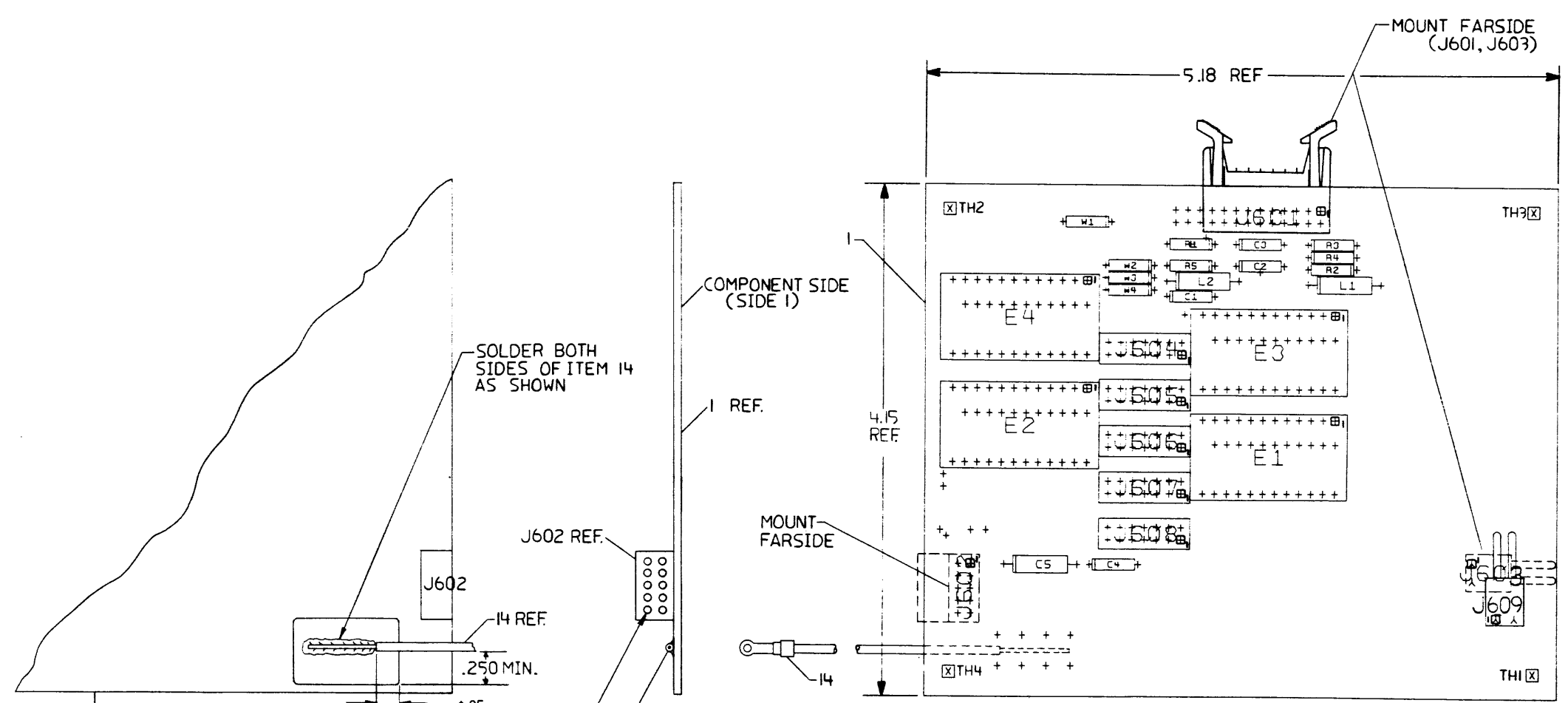


REVISION HISTORY	
DATE	ECO NUMBER
21-11-79	81
RELEASED TO ECO CONTROL AT REV A	

DRN: <i>W. Rowen</i>	DATE: 21 NOV 79	TITLE: digital
CHKD: <i>W. Man</i>	DATE: 29 JAN 81	READ/WRITE 1
DES. ENL: N/A	DATE:	DOCUMENT NUMBER
APP. ENL: <i>George Stankovic</i>	DATE: 25 JAN 81	D BD 5413596-0-2 A
WPR. ENL: N/A	DATE:	SCALE: 1 OF 1
NEXT HIGHER DOC: B-TC-RM80-0-1		

THIS DRAWING AND SPECIFICATIONS, HEREIN, AND THE PROPERTY OF DIGITAL EQUIPMENT CORPORATION AND SHALL NOT BE REPRODUCED OR COPIED OR USED IN WHOLE OR IN PART AS THE BASIS FOR THE MANUFACTURE OR SALE OF ITEMS WITHOUT WRITTEN PERMISSION.
 COPYRIGHT © 1982 DIGITAL EQUIPMENT CORPORATION

COMPONENT SIDE VIEW



- NOTES:
1. TITLE ON MODULE IN ETCH IS 'HDA PCB2'. TITLE OF MODULE IS 'HDA PCB1'. THIS WAS DONE FOR FIELD IDENTIFICATION OF DIFFERENT TYPES OF READ/WRITE IC'S.
 2. SOLDER FILL 100% ALL PLATED THRU HOLES.
 3. STEP AND REPEAT 2ML36.
 4. NO GRIPLETS TO BE USED TO REPAIR THIS MODULE.
 5. NO SECONDARY DRILL HOLES TO BE MADE IN THIS MODULE.
 6. W1 IS A JUMPER RUN IN ETCH.
 7. W2-W4 ARE NOT INSTALLED.

CHG	NO	REV	DATE	BY	CHK
1721	5413643	J	05/14/82	J. HARRELL	
1721	5413643	I	05/14/82	J. HARRELL	
1721	5413643	H	05/14/82	J. HARRELL	

STEP	E	Y AXIS	X AXIS	STEP	L	TIMES
2ML36	4.275	5.250	2ML36	L	L	L

ETCH REV	REV-EPI
----------	---------

SIGNATURES		DATE	TITLE
DRN	<i>[Signature]</i>	4/16/82	digital
CHK'D	<i>[Signature]</i>	5/16/82	
MECH. ENG	<i>[Signature]</i>		HDA PCB1
PROJ. ENG	<i>[Signature]</i>		
SCALE	2/1	SIZE CODE	NUMBER
SHT.	1 OF 1	0 UA	5413043-0-0 J
NEXT HIGHER ASSY: B-00-5413643-0			

DUA 5413643-0-0 J

LINE ITEM	DOCUMENT NUMBER	PART NUMBER	DESCRIPTION	QTY PER VARIATION 00	REFERENCE DESIGNATOR
1	D-DD-5013642-0-0	5013642-00	DRILL & ETCH BD	1	
2		1001610-00	.01 MFD 50V +80-20% Z5U CER	3	C2,C3,C4
3		1013466-31	15.0 MF 50V 5% CER	1	C1
4		1002431-00	2.2MFD 35V 10% S.TANT	1	C5
5		1303114-00	1.0 K .25 W 1.0 % RN55D-F10	1	R1
6		1319169-01	200.0 .25 W 1.0 % RN55D-F10	1	R2
7		1316836-00	492.0 .25 W 1.0 % RN55D-F10	2	R3,R4
8		1216832-00	PCB,HEADER 20POS(2X10).100CC 90D	1	J601
9		1216862-00	PCB,HEADER 14POS(2X07).100CC STR	5	J604,J605,J606,J607,J608
10		1212965-01	PCB,HEADER 10PIN(2X05).100CC 90D	1	J602
11		1212204-12	PCB,HEADER 02PIN(1X02).156CC 90D	2	J603,J609
12		1916241-01	READ/WRITE AMP	4	E1,E2,E3,E4
13		1609620-00	2.2 UH #RFC52.2	2	L1,L2
14	B-IA-7017607-0-0	7017607-01	GROUND CABLE ASSEMBLY (HDA REWR	1	
15		1302858-00	100.0 .25 W 1.0 % RN55D-F10	1	R5

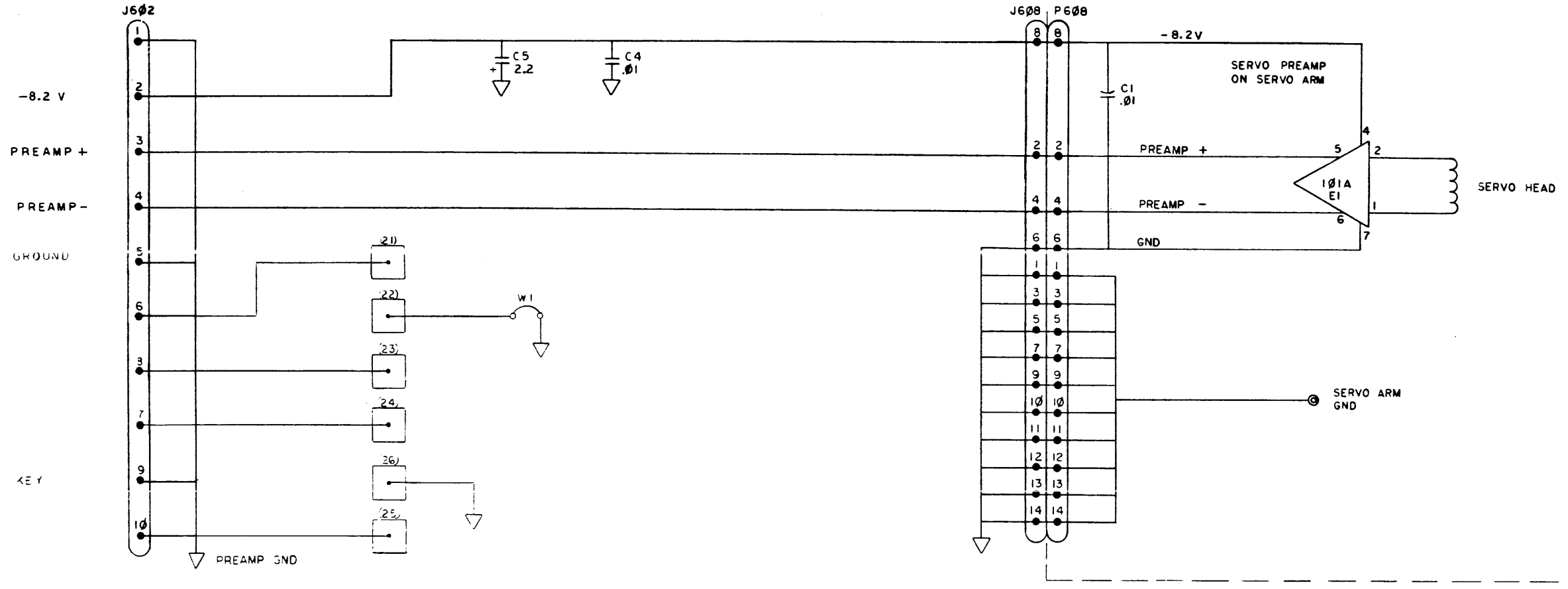
REVISION HISTORY			BASIC PART NO: 5413643			DRN: SUE BOURBEAU			DATE: 23-JUN-82			DIGITAL		
ENG	ECO NUMBER	REV	SECTION A OF A			CHK'D: RON MICHAUD			DATE: 23-JUN-82			TITLE PARTS LIST		
	PCB R80-457	B	SECTION VARIATION INDEX									HDA PCB#1		
JH	15413643-CX02A	D	[A] 00											
JH	15413643-CX004	E	[B]											
JH	15413643-CX006	F	[C]			DES.ENG: J HARRELL			DATE: 23-JUN-82					
JH	15413643-CX007	H	[D]									DOCUMENT NUMBER		
			[E]											
			[F]			RESP.ENG.: J HARRELL			DATE: 23-JUN-82					
			[G]									SIZE CODE NUMBER REV		
			[H]			MFG.ENG.: A KASSAK			DATE: 23-JUN-82			K PL 5413643-0-DBP d		
			[I]											
			[J]			ASSEMBLY NUMBER:			TOP DOCUMENT NUMBER:			FILE NAME: EDIT #		
			[K]			D-UA-5413643-0-0			# B-DD-5413643-0			Z0507H.PLS 29		
			[L]											

Rm
15 DEC 82 JH

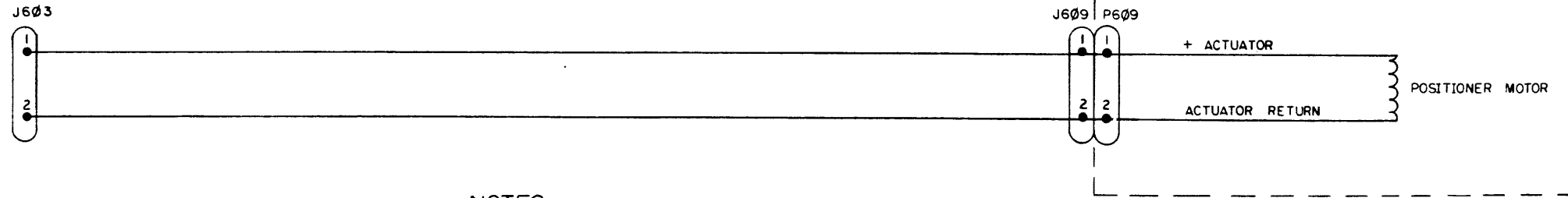
"THIS DRAWING AND SPECIFICATIONS HEREIN, ARE THE PROPERTY OF DIGITAL EQUIPMENT CORPORATION AND SHALL NOT BE REPRODUCED OR COPIED OR USED IN WHOLE OR IN PART AS THE BASIS FOR THE MANUFACTURE OR SALE OF ITEMS WITHOUT WRITTEN PERMISSION. COPYRIGHT (C) 1982. DIGITAL EQUIPMENT CORPORATION"

THIS DRAWING AND SPECIFICATIONS HEREIN ARE THE PROPERTY OF DIGITAL EQUIPMENT CORPORATION AND SHALL NOT BE REPRODUCED OR COPIED OR USED IN WHOLE OR IN PART AS THE BASIS FOR THE MANUFACTURE OR SALE OF ITEMS WITHOUT WRITTEN PERMISSION. COPYRIGHT © 1973 DIGITAL EQUIPMENT CORPORATION

TO J401 ON SERVO MODULE



+ ACTUATOR
ACTUATOR RETURN

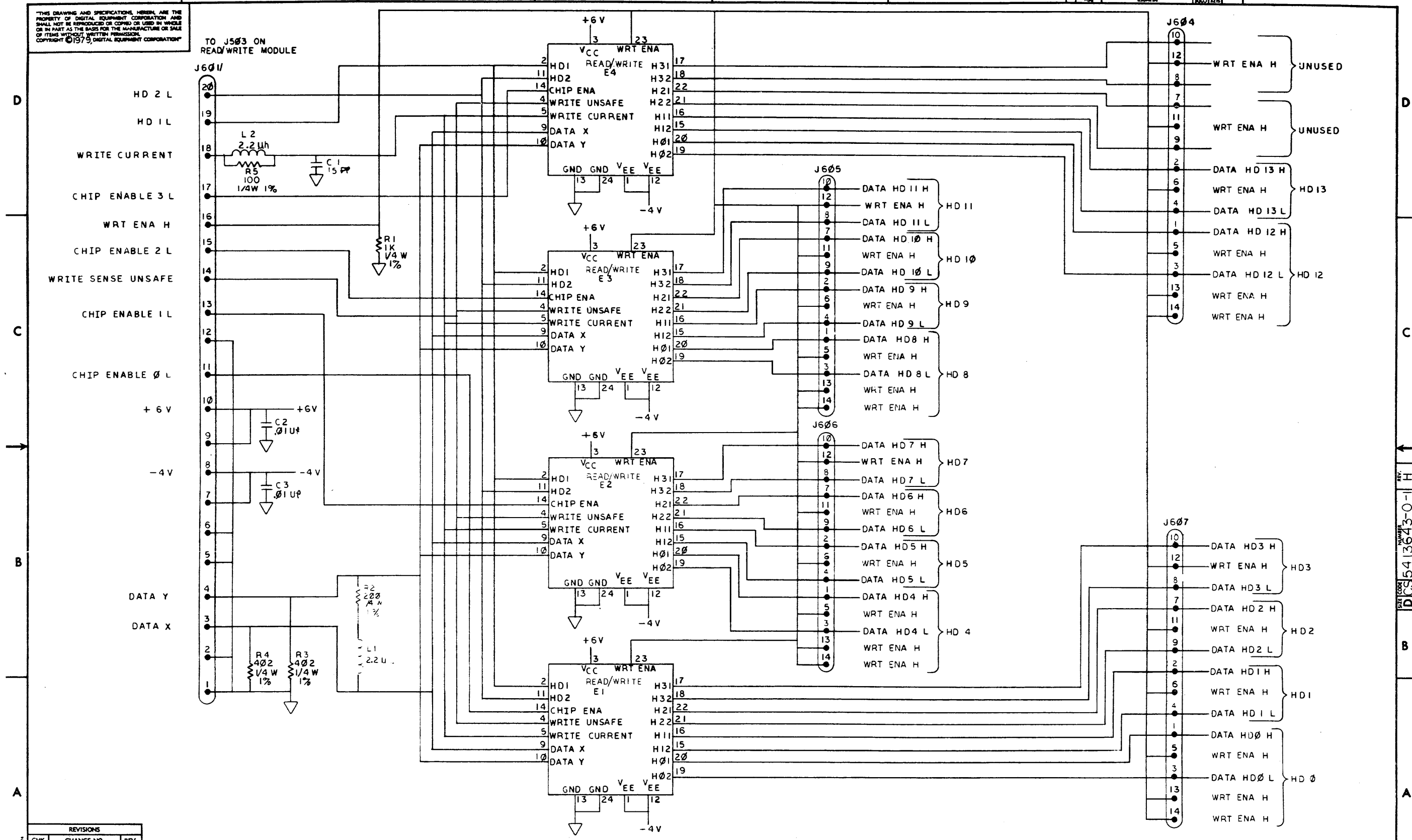


NOTES:
1 UNLESS OTHERWISE SPECIFIED:
ALL RESISTORS ARE 1/4W 5%.
ALL RESISTOR VALUES ARE IN OHMS.
ALL CAPACITOR VALUES ARE IN MICROFARADS.

REV.	E	F	H
1	5413643	5413643	5413643
2	5413643	5413643	5413643
3	5413643	5413643	5413643
4	5413643	5413643	5413643
5	5413643	5413643	5413643
6	5413643	5413643	5413643
7	5413643	5413643	5413643
8	5413643	5413643	5413643

QUANTITY & VARIATION		DESCRIPTION	DWG. PART NO.	ITEM NO.
1		UNLESS OTHERWISE SPECIFIED DIMENSIONS ARE IN INCHES		
ANGLES 10° 30°	CLASS OF ACCURACY (CHECK ONE)	NOMINAL DIMENSION RANGE INCHES		
SURFACE QUALITY IN	MEDIUM	OVER 0 TO 0.2	OVER 0.2 TO 1.2	OVER 1.2 TO 4.0
MICROINCHES	PREFERRED	±.004	±.008	±.012
		±.012	±.016	±.025
		±.025	±.04	±.063
		±.063	±.1	±.157
THIRD ANGLE PROJECTION	DRN	CHK'D	ENG'D	PROD.
REMOVE BURRS AND BREAK SHARP CORNERS	DO NOT SCALE DWG	FIRST USED ON		
		TITLE		
		HDA PCB I		
MATERIAL	FINISH	B-DD-5413643-0	SIZE CODE	NUMBER
		SCALE	D	CS5413643-0-1
		SHEET	OF 2	DIST.

THIS DRAWING AND SPECIFICATIONS HEREIN ARE THE PROPERTY OF DIGITAL EQUIPMENT CORPORATION AND SHALL NOT BE REPRODUCED OR COPIED OR USED IN WHOLE OR IN PART AS THE BASIS FOR THE MANUFACTURE OR SALE OF ITEMS WITHOUT WRITTEN PERMISSION. COPYRIGHT © 1975 DIGITAL EQUIPMENT CORPORATION



REVISIONS		
CHK	CHANGE NO.	REV.

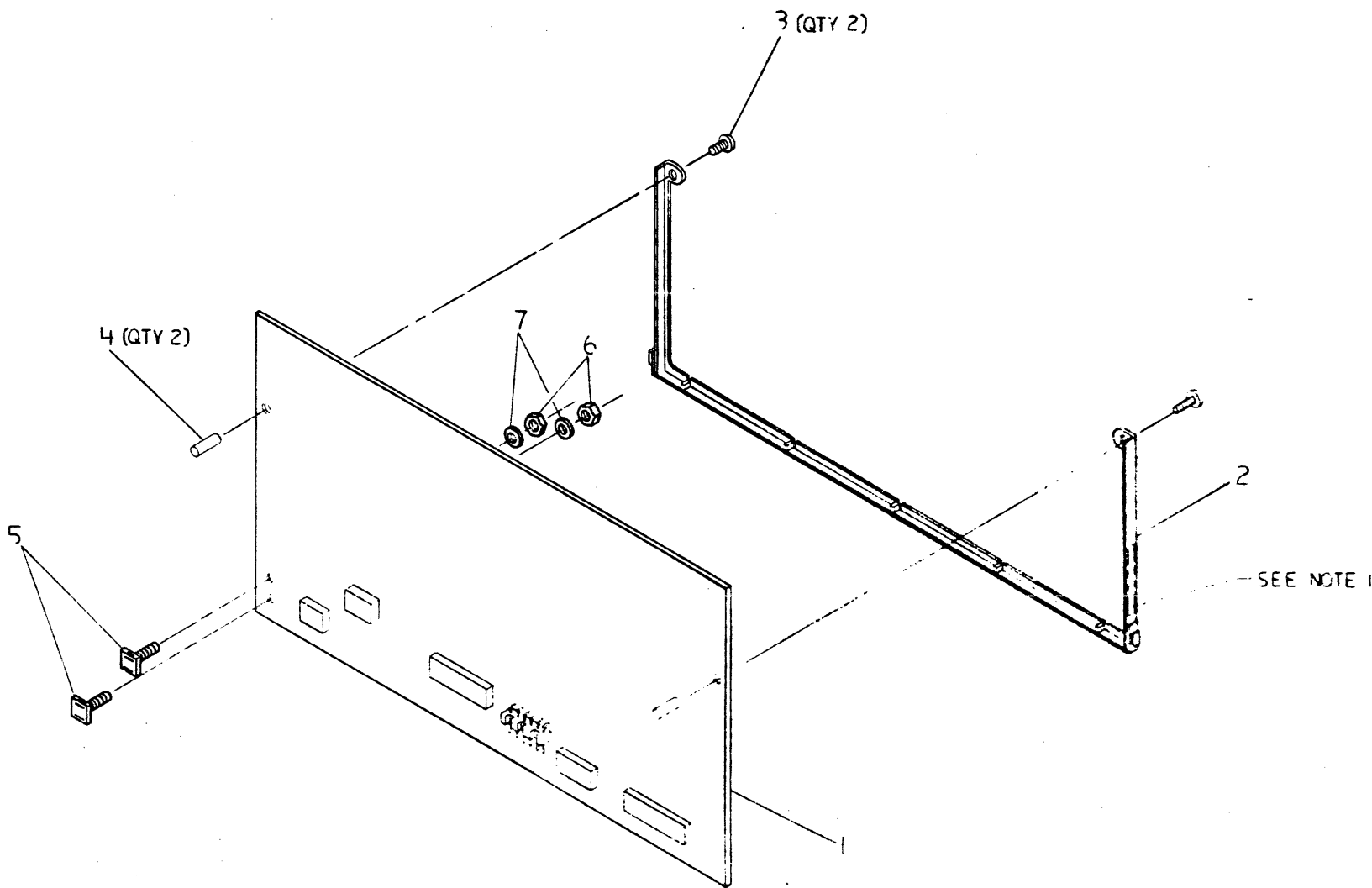
TITLE	HDA PCB 1	SIZE CODE	D CS 5413643-0-1	NUMBER	H
SCALE		SHEET	2 OF 2	DIST.	

DCS 5413643-0-1 H

DAD 7018327-0-0
REV. A

THIS DRAWING AND SPECIFICATIONS HEREIN ARE THE PROPERTY OF DIGITAL EQUIPMENT CORPORATION AND SHALL NOT BE REPRODUCED OR COPIED OR USED IN WHOLE OR IN PART AS THE BASIS FOR THE MANUFACTURE OR SALE OF ITEMS WITHOUT WRITTEN PERMISSION OF DIGITAL EQUIPMENT CORPORATION

NOTES:
1. ASSEMBLY TO BE MARKED WITH PART NUMBER AND LATEST REVISION APPROX AS SHOWN.



CAUTION: OFF SHEET PARTS LIST EXISTS. SEE K-PL-7018327-0-D BP (Z1746).

DATE	ECO NUMBER	REV.
		A
RELEASED TO ECO CONTROL PER PCO RABP-244		

DESCRIPTION	DRAWING NO.	PART NO.	ITEM NO.
UNLESS OTHERWISE SPECIFIED DIMENSIONS ARE IN INCHES AND THE FOLLOWING TOLERANCES APPLY (PER DEC STD 114)			
INCHES TOLERANCES	ANGLES ± 0° 30'	APPLICABLE DIMENSION RANGE	DIMENSION RANGE IN INCHES
.X = ± .1		(CHECK ONE)	OVER 0 TO 1.2
.XX = ± .02		<input type="checkbox"/>	OVER 1.2 TO 4.0
.XXX = ± .008		<input type="checkbox"/>	OVER 4.0 TO 12.0
		<input type="checkbox"/>	OVER 12.0 TO 40.0
		<input type="checkbox"/>	OVER 40.0 TO 80.0
		<input type="checkbox"/>	OVER 80.0 TO 100.0
QUANTITY & VARIATION			
THIRD ANGLE PROJECTION	DRW. D. BEANLAND	DATE 6 JUN 81	TITLE digital
DO NOT SCALE DRAWING	CH'D W.C.M.	DATE 15 SEP 81	PERSONALITY BD & STIFF ASSY
REMOVE BURRS AND BREAK SHARP CORNERS	DES. ENG. J. H. U...	DATE 17 SEP 81	
MATERIAL	REP. ENG. J. H. R...	DATE 17 SEP 81	DOCUMENT NUMBER
SEE PARTS LIST	MFG. ENG. W. B...	DATE 17 SEP 81	DAD 7018327-0-0 A
FINISH	NEXT HIGHER DOC. D-AD-7018330-0-0		SCALE: SHEET OF

AUTOMATED BY PRTLST.3P(44)

P A R T S L I S T

SHEET A1 OF A1

LINE ITEM	DOCUMENT NUMBER	PART NUMBER	DESCRIPTION	QUANTITY PER VARIATION
1	1	5414923-00	RABO PERSONALITY	1
2	2	7422798-00	STIFFENER,BOARD	1
3	3	9008212-00	SCREW, NYLON, SLTD PAN HD, 6-32	2
4	4	9006967-00	SPACER, FIBER, RND, 6-32, .250 X	2
5	5	9010267-00	BASE,MTG.F/TIE,CABLE	2
6	6	9007883-01	NUT,HEX,NYLON 10-32X .375X .196T	2
7	7	SEE NOTE 1	WASHER,FLAT .577 OD .204 ID .068	2

8 NOTE: 1. PART NUMBER FOR ITEM 7 (9008993-01) WAS NOT IN MASTER
 9 NOTE: - PARTS FILE AT TIME OF ECO RELEASE.

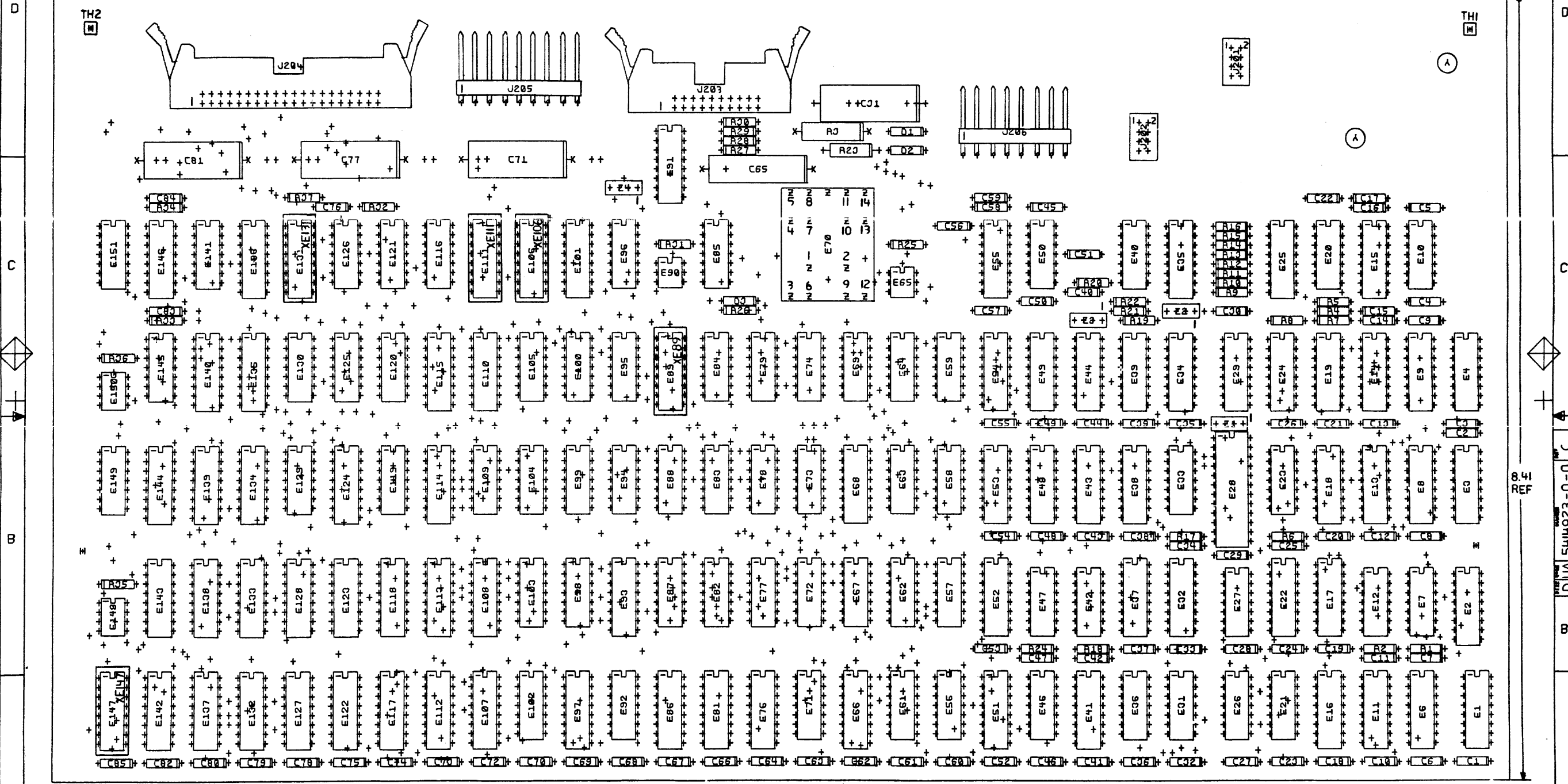
REVISION HISTORY		BASIC PART NO: 7018327		DRN:	D. COFFEY	DATE: 14-OCT-80	D I G I T A L		
ENG	ECO NUMBER	REV	SECTION A OF A	CHK'D:	<i>W. Major</i>	17 SEP 81	TITLE	PARTS LIST	
---	INITIAL	A	SECTION. VARIATION INDEX		W. MAJOR	DATE: 26-NOV-80			
			[A] 00				PERSONALITY BOARD &		
			[B]	DES.ENG.:	<i>G. Nordberg</i>	DATE: 26-NOV-80	STIFFENER ASSEMBLY		
			[C]				DOCUMENT NUMBER		
			[D]	RESP.ENG.:	<i>B. Montero</i>	DATE: 26-NOV-80	SIZE CODE NUMBER	REV	
			[E]	MFG.ENG.:	<i>B. Bassett</i>	DATE: 26-NOV-80	K PL	7018327-0-DBP	A
			[F]	ASSEMBLY NUMBER:		TOP DOCUMENT NUMBER:	FILE NAME:	EDIT #	
				D-AD-7018327-0-0			Z1746A.PLS	5	

* THIS DRAWING AND SPECIFICATIONS HEREIN, ARE THE PROPERTY OF DIGITAL EQUIPMENT CORPORATION AND SHALL NOT BE REPRODUCED OR COPIED OR USED IN WHOLE OR IN PART AS THE BASIS FOR THE MANUFACTURE OR SALE OF ITEMS WITHOUT WRITTEN PERMISSION. COPYRIGHT (C) 1981. DIGITAL EQUIPMENT CORPORATION *

THIS DRAWING AND SPECIFICATIONS, FIGURES, AND THE PARTS LIST THEREON, ARE THE PROPERTY OF DIGITAL EQUIPMENT CORPORATION AND SHALL BE RETURNED TO THE COMPANY IN WHOLE OR IN PART UPON THE COMPLETION OF THE WORK OR UPON THE DEMAND OF THE COMPANY. THE COMPANY SHALL NOT BE RESPONSIBLE FOR THE REPRODUCTION OF THIS DRAWING WITHOUT THE WRITTEN PERMISSION OF DIGITAL EQUIPMENT CORPORATION.

COMPONENT SIDE VIEW

15.68 REF



NOTES: 1. E2 IS A SPARE I.C. LOCATION

STEP E	+ Y AXIS	NA	STEP	TIMES
REPEAT	- X AXIS	NA	STEP	TIMES

CHANGE NO	REV	
544923	C	
004		
005		

ETCH REV.	D-P2
-----------	------

SIGNATURES	DATE	digital
DRN. <i>R. J. ...</i>	9-24-71	
CHK'D. <i>...</i>	10-2-71	
MECH. ENG. <i>...</i>	10-2-71	
PROJ. ENG. <i>...</i>	10-2-71	TITLE RA80
PROD. <i>...</i>	10-2-71	PERSONALITY
SCALE 2/1		SIZE CODE
SHT. 1 OF 1		NUMBER
NEXT HIGHER ASSY. B-DD-544923-0		544923-0-01
		REV
		C

LINE ITEM	DOCUMENT NUMBER	PART NUMBER	DESCRIPTION	QTY PER VARIATION	REFERENCE DESIGNATOR
				00	
1	1	D-MD-5014922-0-0	5014922-00 DRILL AND ETCH BRD.	1	
2	2	1001610-00	.01 MFD 50V +80-20% Z5U CER	47	C2,C3,C4,C5,C7,C8,C9,C11,C12, CONT C13,C14,C15,C16,C17,C19,C20,C21, CONT C22,C24,C25,C26,C28,C29,C30,C33, CONT C34,C35,C37,C38,C39,C40,C42,C43, CONT C44,C45,C47,C48,C49,C50,C51,C53, CONT C54,C55,C56,C57,C58,C59
3	3	1003274-00	15 MFD 16V +75-10% AL EL	1	C65
4	4	1012084-03	150 MFD 15V +75-10% AL EL	4	C31,C71,C77,C81
5	5	1012784-00	.047 MFD 50V +80-20% CER	31	C1,C6,C10,C18,C23,C27,C32,C36, CONT C41,C46,C52,C60,C61,C62,C63,C64, CONT C66,C67,C68,C69,C70,C72,C73,C74, CONT C75,C78,C79,C80,C82,C84,C85
6	6	1013466-07	220.0 MMF 50V 5% CER	1	C76
7	7	1013466-28	1000.0 MMF 50V 5% CER	1	C83
8	8	1104860-00	1N 746A VZ= 3.3 5%	1	D2
9	9	1105275-00	D 672 TR= 15NS PIV= 60V SI	2	D1,D3
10	10	1212204-03	PCB HEADER 09PIN(1X09).156CC 90D	1	J205
11	11	1212204-06	PCB HEADER 08PIN(1X08).156CC 90D	1	J206
12	12	1215006-02	SKT,IC 16PIN DIP TIN SOLD	5	XE89,XE106,XE111,XE131,XE147
13	13	1216832-00	PCB,HEADER 20POS(2X10).100CC 90D	1	J203
14	14	1216832-07	PCB,HEADER 40POS(2X20).100CC 90D	1	J204
15	15	1218414-00	PCB,HEADER 08PIN(2X04).100CC 90D	2	J201,J202
16	16	1219011-01	RLY,G.P., 5V COIL,4PDT,PC MTG	1	E70
17	17	1300005-01	R NETWORK 13-1K 5.0 % 14PIN	3	E27,E96,E105
18	18	1300005-04	R NETWORK 15-470 5.0 % 16PIN	4	E3,E4,E52,E53
19	19	1300229-00	100.0 .25 W 5.0 % CC	6	R1,R2,R6,R17,R18,R24
20	20	1300271-00	220.0 .25 W 5.0 % CC	2	R28,R29
21	21	1300295-00	330.0 .25 W 5.0 % CC	2	R27,R30
22	22	1300316-00	470.0 .25 W 5.0 % CC	2	R25,R31

REVISION HISTORY		BASIC PART NO: 5414923		DRN:	T. JORSTAD	DATE: 8-APR-82	DIGITAL			
ENG	ECO NUMBER	REV	SECTION A OF A	CHK'D:	B. CARNEY	DATE: 8-APR-82	TITLE PARTS LIST			
	INITIAL	A	SECTION,VARIATION INDEX	CHK'D:	B. CARNEY	DATE: 8-APR-82	RABO PERSONALITY			
RC	5414923-CX002	B	[A] 00							
RC	5414923-CX004	C	[B]	DES.ENG:	B. CARNEY	DATE: 8-APR-82				
			[C]							
			[D]							
			[E]	RESP.ENG.:	B. MATHRANI	DATE: 8-APR-82	DOCUMENT NUMBER			
			[F]				SIZE	CODE	NUMBER	REV
			[G]							
			[H]	MFG.ENG.:	W. EHRMANN	DATE: 8-APR-82	K	PL	5414923-0-DBP	C
			[I]							
			[J]	ASSEMBLY NUMBER:		TOP DOCUMENT NUMBER:		FILE NAME:		EDIT #
			[K]	D-UA-5414923-0-0		B-DD-5414923-0		Z1799C.PLS		16
			[L]							
			[M]							
			[N]							

"THIS DRAWING AND SPECIFICATIONS HEREIN, ARE THE PROPERTY OF DIGITAL EQUIPMENT CORPORATION AND SHALL NOT BE REPRODUCED OR COPIED OR USED IN WHOLE OR IN PART AS THE BASIS FOR THE MANUFACTURE OR SALE OF ITEMS WITHOUT WRITTEN PERMISSION. COPYRIGHT (C) 1982. DIGITAL EQUIPMENT CORPORATION"

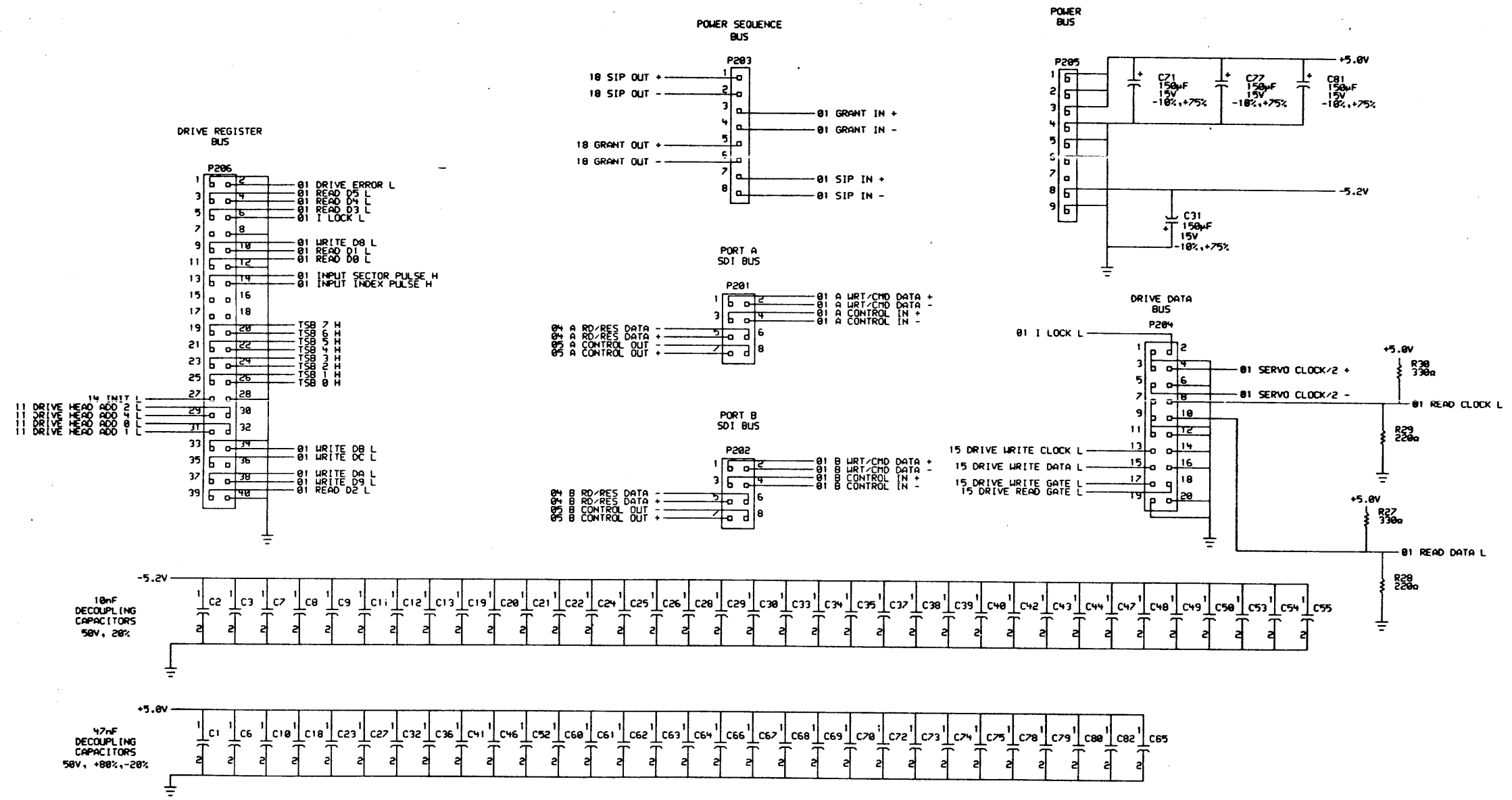
LINE	ITEM	DOCUMENT NUMBER	PART NUMBER	DESCRIPTION	QTY	PER VARIATION	REFERENCE DESIGNATOR
					00		
23	23		1300365-00	1.0 K .25 W 5.0 % CC	2		R32,R37
24	24		1300479-00	10.0 K .25 W 5.0 % CC	4		R26,R33,R35,R36
25	25		1300539-00	120.0 K .25 W 5.0 % CC	1		R34
26	26		1302253-00	27.0 .50 W 5.0 % CC	1		R23
27	27		1309995-00	56.0 .50 W 5.0 % CC	1		R3
28	28		1318341-00	46.40 .25 W 1.0 % RN55D-F10	8		R7,R8,R9,R11,R13,R15,R19,R21
29	29		1318341-02	187.0 .25 W 1.0% RN55D-F100	8		R4,R5,R10,R12,R14,R16,R20,R22
30	30		1318342-00	R NETWORK 8-56.2 8-316 16PIN	2		E15,E55
31	31		1618336-00	DELAY= 10NS	2		E23,E33
32	32		1618337-00	DELAY= 18NS	2		E7,E47
33	33		1618343-00	PULSE XFMR,RATIO 1:1:1, 80UH	4		E10,E20,E40,E50
34	34		1618574-00	CORE,BUSBAR CHORE	2		E12,E42
35	35		1910406-00	75451 DRIVER,PERIPH,DUAL,	1		E150
36	36		1910532-00	74S00 NAND GATE-QUAD 2IN	1		E72
37	37		1910534-00	74S04 INVERTER GATE-HEX 1I	2		E31,E88
38	38		1910544-00	74S74 FF-D DUAL,EDGE TRIGG	1		E104
39	39		1910544-01	74S74-60GG-D DUAL,EDGE TRIG	3		E58,E63,E119
40	40		1910547-00	74S153 MUX 1 OF 4 (DUAL)	1		E11
41	41		1910550-00	74S174 FF-D HEX	1		E76
42	42		1910957-00	74S175 FF-D QUAD COMMON CLO	4		E86,E97,E114,E124
43	43		1911036-00	75453 DRIVER,PERIPH,DUAL,	1		E148
44	44		1911404-00	10107 XOR/NOR GATE,3-2IN	2		E17,E37
45	45		1911410-00	10117 OR/AND GATE,DUAL 2-3	2		E8,E48
46	46		1911414-00	10124 TTL TO ECL TRNSLTR	2		E22,E32
47	47		1911415-00	10125 ECL TO TTL TRNSLTR	3		E16,E41,E91
48	48		1911420-00	10174 DUAL 4 TO 1 MUX	2		E29,E34
49	49		1911712-00	74S51 AND-OR GATE-INVERT D	2		E85,E99
50	50		1912096-00	DEC 74S86 XOR GATE,QUAD 2IN	2		E67,E151
51	51		1912388-00	74S02 NOR GATE-QUAD 2IN,PO	1		E87
52	52		1912646-00	LS253 MUX 1 OF 4 (DUAL)	4		E135,E136,E139,E143
53	53		1912696-00	LS194A SHIFT REG.,4BIT BI-D	2		E81,E140
54	54		1912697-00	LS174 FF-D HEX W/CLEAR	1		E113
55	55		1912799-00	LS00 NAND-GATE-QUAD 2IN,P	2		E102,E126
56	56		1912801-00	LS02 NOR-GATE-QUAD 2IN	3		E84,E92,E125
57	57		1912803-00	LS04 INVERTER GATE,HEX	3		E62,E64,E120
58	58		1912805-00	LS08 AND GATE-QUAD 2IN,PO	4		E57,E100,E103,E129
59	59		1912811-00	LS21 AND GATE-DUAL 4IN,PO	1		E121
60	60		1912816-00	LS32 OR GATE-QUAD 2IN,POS	1		E59
61	61		1912817-00	LS37 NAND GATE-QUAD 2IN,P	1		E79
62	62		1912820-00	LS51 A-O-I GATE 2-WIDE 2I	3		E82,E94,E109
63	63		1912821-00	LS54 A-O-I GATE,3-2-2-3IN	1		E83
64	64		1912824-00	LS74 FF-D DUAL,EDGE TRIGG	12		E26,E46,E56,E69,E73,E74,E77,E78,
						CONT	E95,E98,E145,E149
65	65		1912834-00	LS112 FF-JK,DUAL,EDGE TRIG	1		E101
66	66		1912837-00	LS123 ONE SHOT-DUAL,RETRIG	1		E146
67	67		1912839-00	LS133 NAND GATE-POS	1		E66
68	68		1912844-00	LS151 MUX 1 OF 8 & DATA	1		E108
69	69		1912849-00	LS161 COUNTER,SYNCHR,4BIT	2		E93,E107

D	I	G	I	T	A	L	TITLE	SECTION A	OF A	SIZE	CODE	DOCUMENT NUMBER	REV
							RABO PERSONALITY			K	PL	5414923-0-DBP	C

LINE ITEM	DOCUMENT NUMBER	PART NUMBER	DESCRIPTION	QTY PER VARIATION 00	REFERENCE DESIGNATOR
70	70	1912850-00	LS164 SHIFT REG. 8BIT SERI	6	E21,E36,E61,E71,E116,E130
71	71	1912853-00	LS175 FF-D QUAD	7	E115,E127,E132,E134,E137,E142, E144
72	72	1912860-00	LS259 LATCH 8BIT	1	E6
73	73	1912864-00	LS279 LATCH,QUAD-S-R	1	E68
74	74	1913009-00	4N36 OPTO COUPLED ISLTR	2	E65,E90
75	75	1913414-00	LS14 INVERTER GATE-HEX SC	1	E141
76	76	1913839-00	LS165 SHIFT REG.,8BIT	5	E110,E112,E118,E123,E128
77	77	1914845-00	2918 FF-D QUAD TRI-STATE	2	E133,E138
78	78	1915234-00	74LS390PC COUNTER,DECADE,DUAL	2	E117,E122
79	79	1916574-00	10114 RECEIVER,LINE,TRIPL	4	E9,E14,E49,E54
80	80	1917289-00	100102 OR/NOR GATE,QUINT,2	1	E28
81	81	1917839-00	10192 LINE DRIVER,QUAD DIF	4	E19,E25,E35,E39
82	82	1918346-00	RC NETWORK MULTI-VALUE	4	Z1,Z2,Z3,Z4
83	83	1918353-00	10231 FF-D MASTER-SLAVE	8	E1,E13,E18,E24,E38,E43,E44,E51
84	84	23583A2-00	A2-05	1	E111
85	85	23584A2-00	A2-05	1	E131
86	86	23586A2-00	A2-05	1	E89
87	87	23628A2-00	A2-05	1	E106
88	88	23629A2-00	A2-05	1	E147

D	I	G	I	T	A	L	TITLE	SECTION A OF A	SIZE	CODE	DOCUMENT NUMBER	REV
							RABO PERSONALITY		K	PL	5414923-0-DBP	C

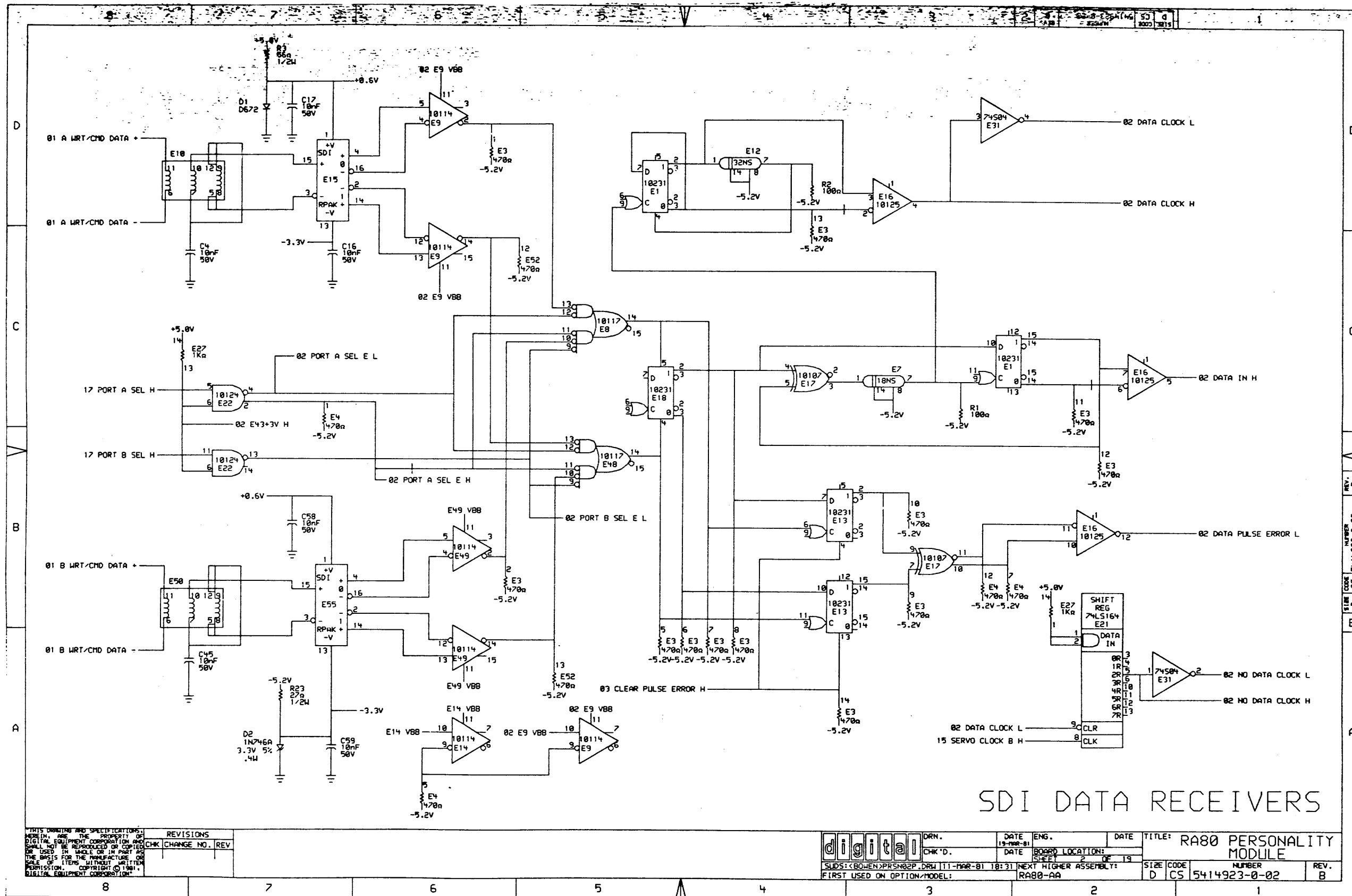
NOTE: UNLESS OTHERWISE SPECIFIED:
ALL RESISTORS ARE 1/4W, 5%.



THIS DRAWING AND SPECIFICATIONS ARE THE PROPERTY OF DIGITAL EQUIPMENT CORPORATION AND SHALL NOT BE REPRODUCED OR COPIED OR USED IN WHOLE OR IN PART AS THE BASIS FOR THE MANUFACTURE OR SALE OF ITEMS WITHOUT WRITTEN PERMISSION. COPYRIGHT © 1981, DIGITAL EQUIPMENT CORPORATION.

REV.	CHANGE NO.	REV.
1	1	B

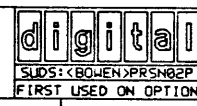
digital	DRN. <i>N. Bowel</i>	DATE 19-7-81	ENG. <i>R. G. ...</i>	DATE 17-7-81	TITLE: R80 PERSONALITY MODULE
	DATE 19-7-81	BOARD LOCAL RENT: 1	DATE 17-7-81	SIZE CODE D CS	NUMBER 5414923-0-01
SLDS: <BOWEN> PRSNALP.DRW 111-MAR-81 18:28 NEXT HIGHER ASSEMBLY: R80-AA			FIRST USED ON OPTION/MODEL: R80-AA		REV. B



SDI DATA RECEIVERS

THIS DRAWING AND SPECIFICATIONS ARE THE PROPERTY OF DIGITAL EQUIPMENT CORPORATION AND SHALL NOT BE REPRODUCED OR COPIED IN ANY MANNER OR USED IN WHOLE OR IN PART AS THE BASIS FOR THE MANUFACTURE OR SALE OF ITEMS WITHOUT WRITTEN PERMISSION. COPYRIGHT © 1981 DIGITAL EQUIPMENT CORPORATION.

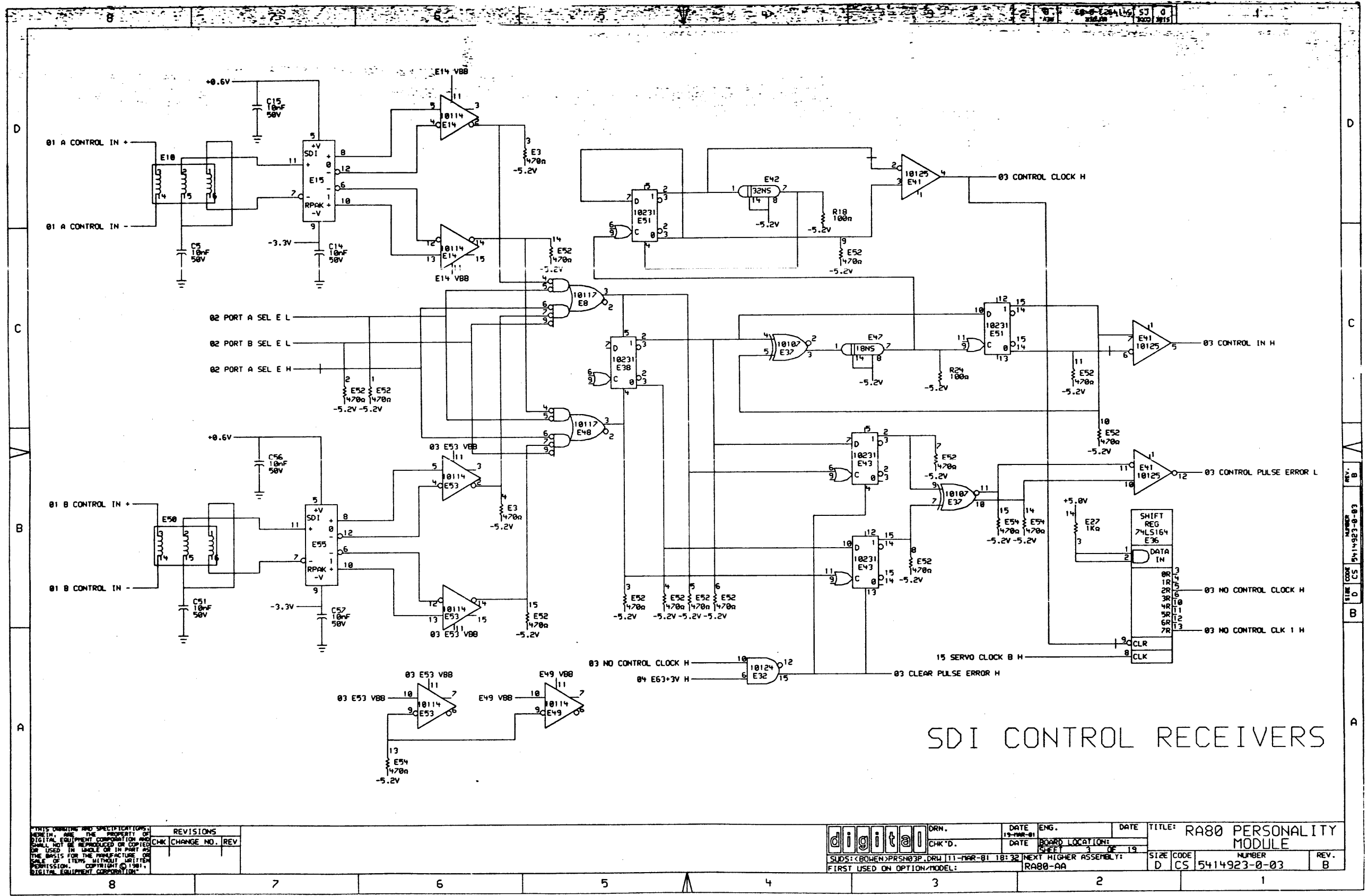
REVISIONS	
CHK	CHANGE NO. REV



DRN.	DATE	ENG.	DATE
CHK'D.	DATE	BOARD LOCATION:	DATE
SLDS: <BOJEN>PRSNR2P_DRM 11-MAR-81 18:31		NEXT HIGHER ASSEMBLY:	DATE
FIRST USED ON OPTION/MODEL:		RAB0-AA	DATE

TITLE: RAB0 PERSONALITY MODULE	
SIZE	NUMBER
D CS	5414923-0-02
REV.	B

8 7 6 5 4 3 2 1



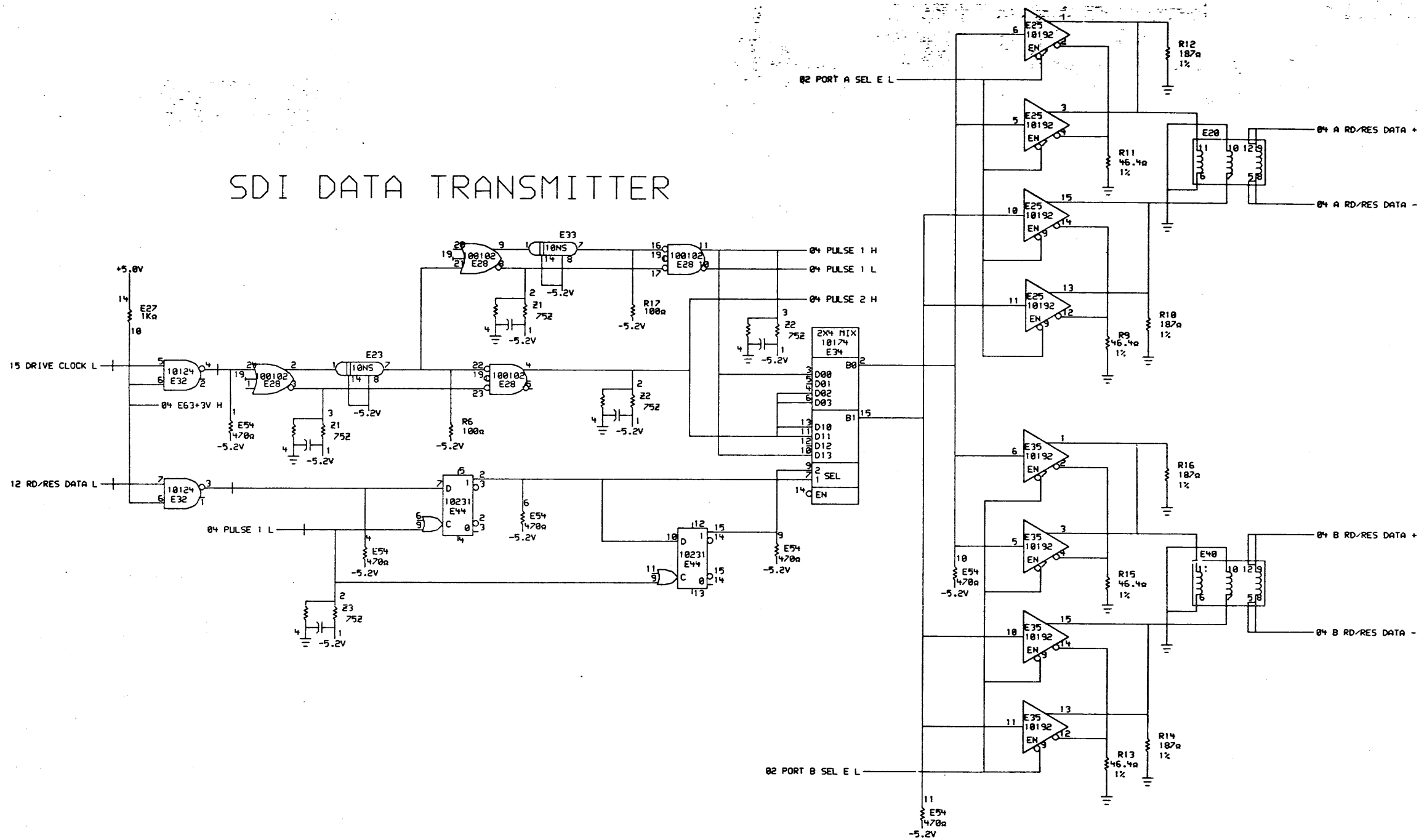
SDI CONTROL RECEIVERS

THIS DRAWING AND SPECIFICATIONS, WHEREIN, ARE THE PROPERTY OF DIGITAL EQUIPMENT CORPORATION AND SHALL NOT BE REPRODUCED OR COPIED OR USED IN WHOLE OR IN PART AS THE BASIS FOR THE MANUFACTURE OR SALE OF ITEMS WITHOUT WRITTEN PERMISSION. COPYRIGHT © 1981, DIGITAL EQUIPMENT CORPORATION.

REVISIONS	
CHK	CHANGE NO. REV

digital	DRN.	DATE	ENG.	DATE	TITLE: RAB0 PERSONALITY MODULE
	CHK'D.	DATE	BOARD LOCATION:	SHEET 1 OF 19	SIZE CODE NUMBER REV. D CS 5414923-0-03 B
SUDES: (BOWEN) PRSNO3P.DRW 11-MAR-81 18:32 NEXT HIGHER ASSEMBLY: RAB0-AA					FIRST USED ON OPTION/MODEL:

SDI DATA TRANSMITTER



THIS DRAWING AND SPECIFICATIONS ARE THE PROPERTY OF DIGITAL EQUIPMENT CORPORATION AND SHALL NOT BE REPRODUCED OR COPIED OR USED IN WHOLE OR IN PART AS THE BASIS FOR THE MANUFACTURE OR SALE OF ITEMS WITHOUT WRITTEN PERMISSION. COPYRIGHT © 1981 DIGITAL EQUIPMENT CORPORATION.

REVISIONS
CHK CHANGE NO. REV

digital DRN.
CHK'D.

DATE 19-08-81
DATE BOARD LOCATION: SHEET 4 OF 19

TITLE: RABO PERSONALITY MODULE
SIZE CODE NUMBER REV.
D CS 5414923-0-04 B

SLDS: <BOHEN> PRSNOP.DRW 11-MAR-81 18:33 NEXT HIGH. ASSEMBLY: RABO-AA
FIRST USED ON OPTION/MODEL:

8

7

6

5

4

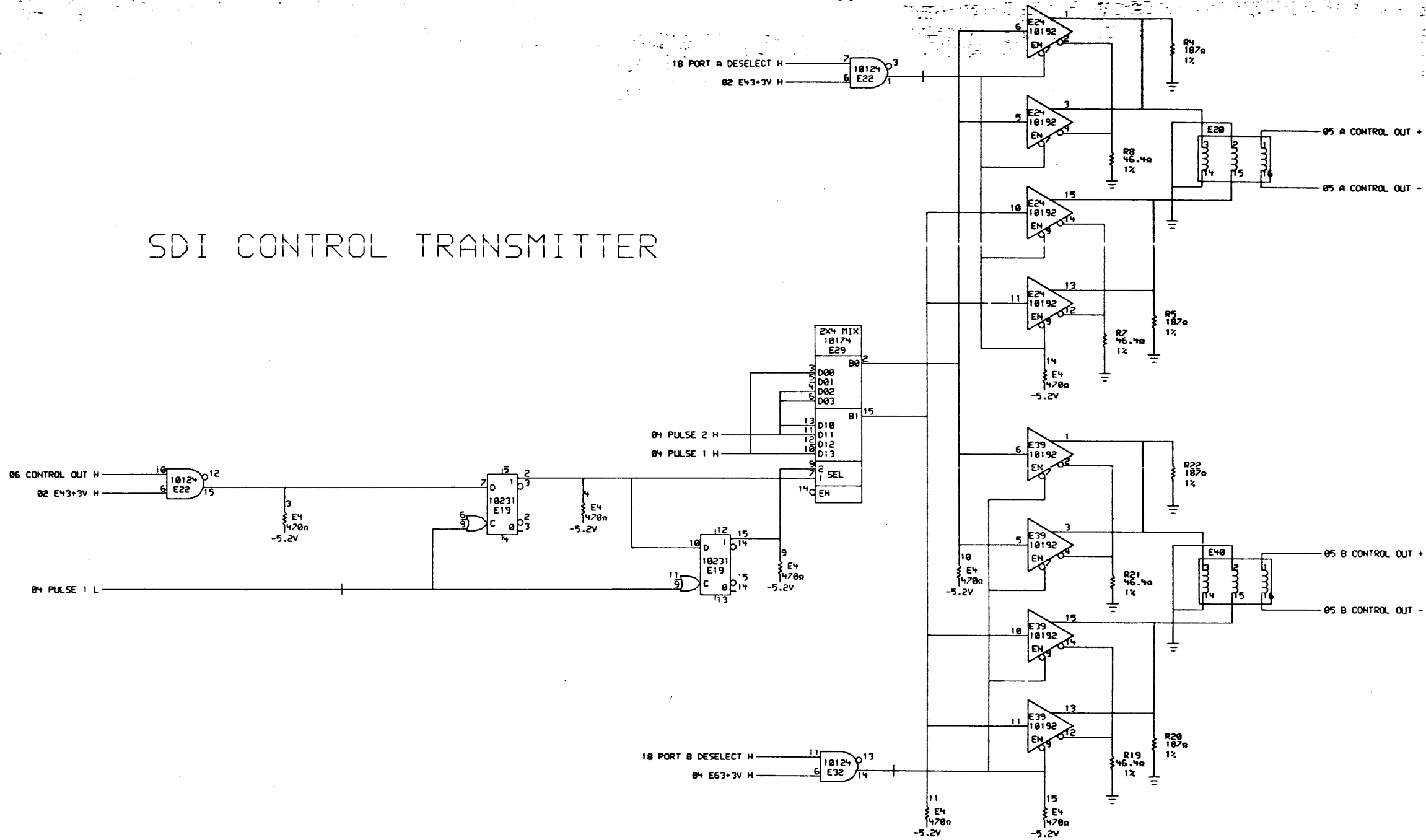
3

2

1

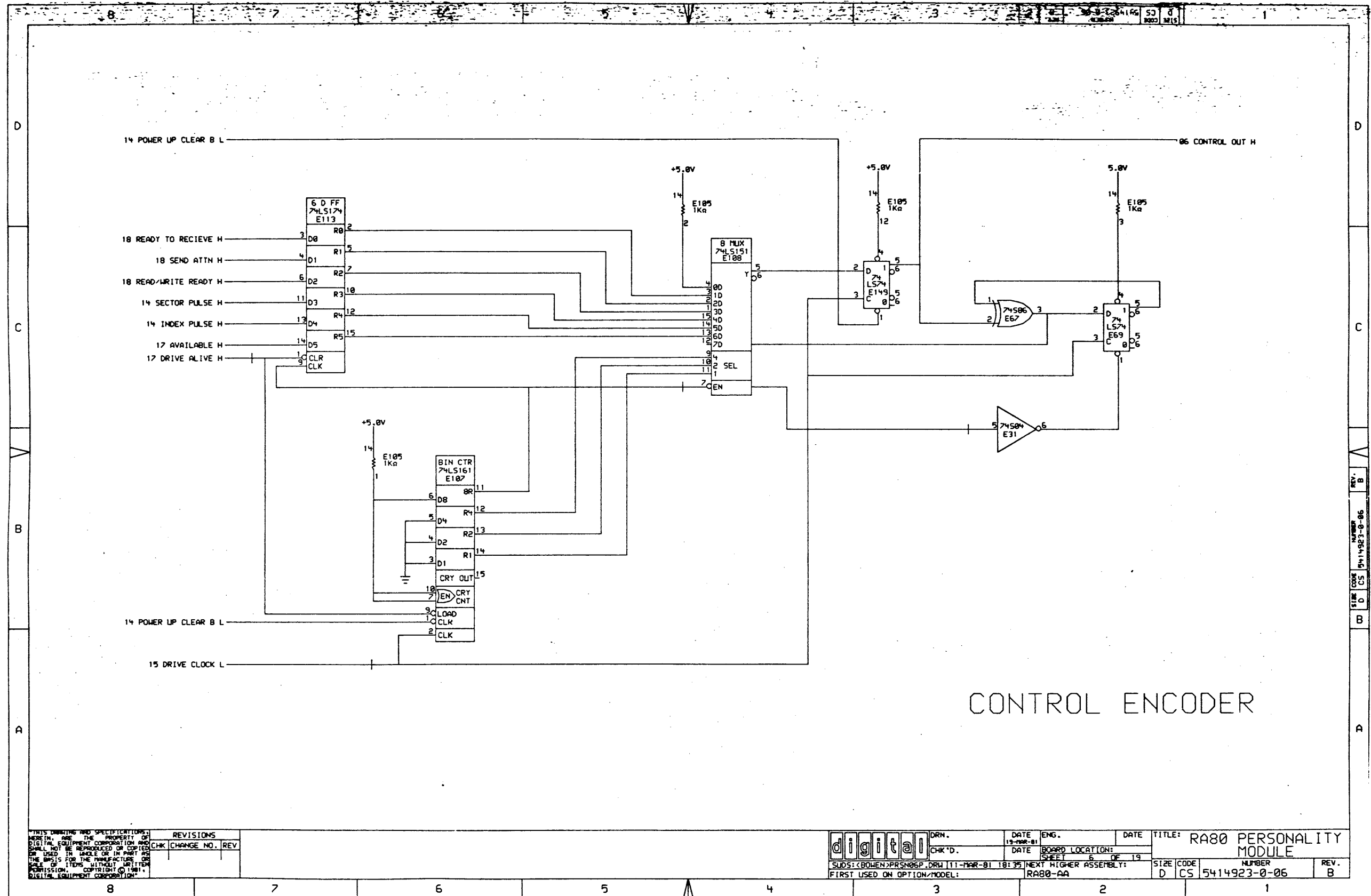
REV. B
5414923-0-04
D CS

SDI CONTROL TRANSMITTER



REVISIONS	
CHK	CHANGE NO. REV

digital	DRN.	DATE	ENG.	DATE	TITLE: RAB0 PERSONALITY MODULE
	CHK'D.	DATE	DESIGN LOCATION:	SHEET 5 OF 19	SIZE CODE NUMBER REV.
SLOS: <BOWEN>PRSNBSP_DRM_11-MAR-81 10:35 NEXT HIGHER ASSEMBLY: RAB0-AA					D CS 5414923-0-05 B
FIRST USED ON OPTION/MODEL:					

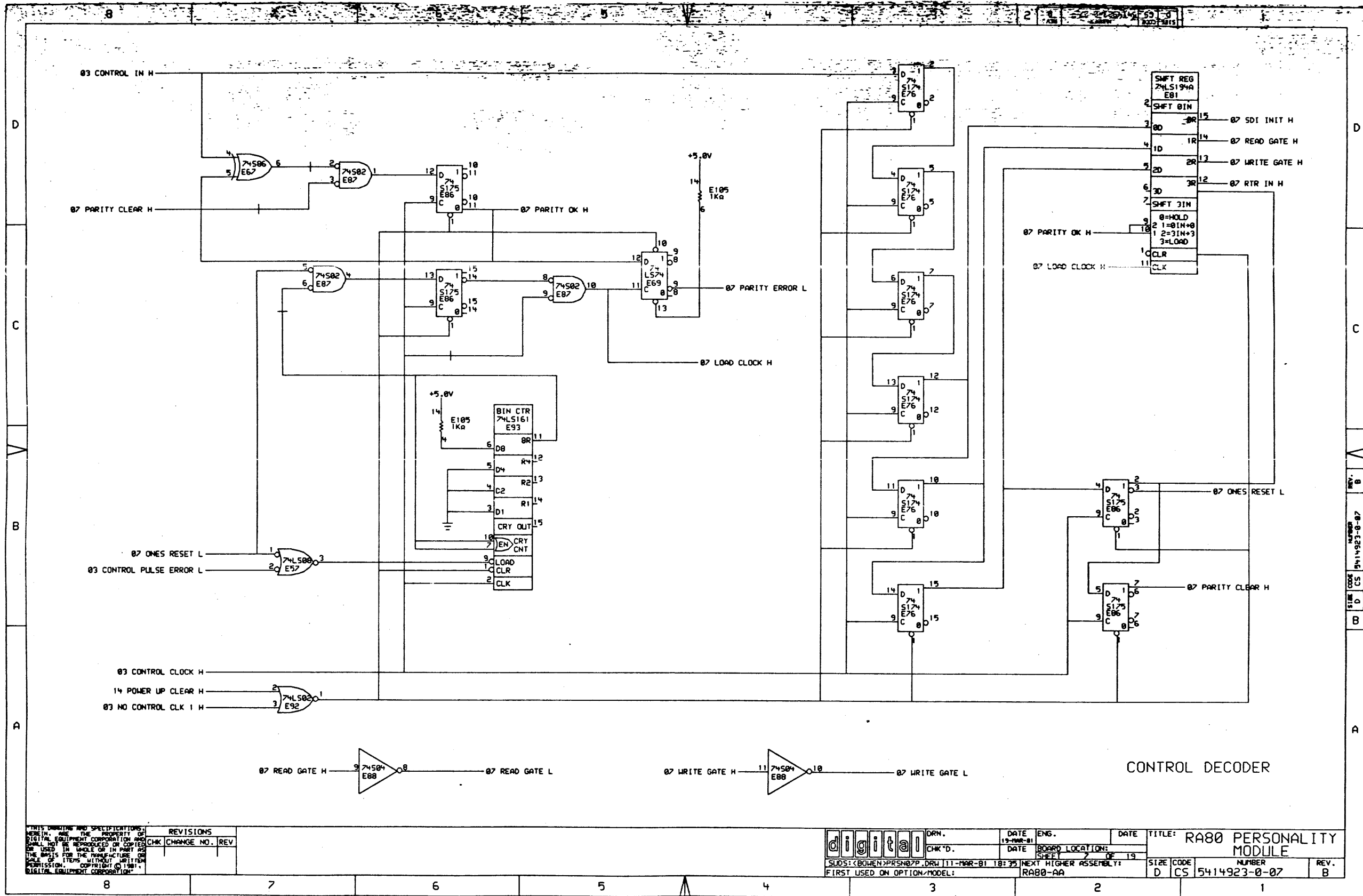


THIS DRAWING AND SPECIFICATIONS ARE THE PROPERTY OF DIGITAL EQUIPMENT CORPORATION AND SHALL NOT BE REPRODUCED OR COPIED OR USED IN WHOLE OR IN PART AS THE BASIS FOR THE MANUFACTURE OR SALE OF ITEMS WITHOUT WRITTEN PERMISSION. COPYRIGHT © 1981 DIGITAL EQUIPMENT CORPORATION.

REVISIONS	CHK	CHANGE NO.	REV

digital	DRN.	DATE	ENG.	DATE	TITLE: R80 PERSONALITY MODULE
	CHK'D.	DATE	BOARD LOCATION:	SHEET 6 OF 19	
SUDS:((BOHEN)PRSN06P.DRW 11-MAR-81 18:35 NEXT HIGHER ASSEMBLY: R80-AA					SIZE CODE NUMBER REV. D CS 5414923-0-06 B

REV. B
NUMBER 5414923-0-06
SIZE CODE CS



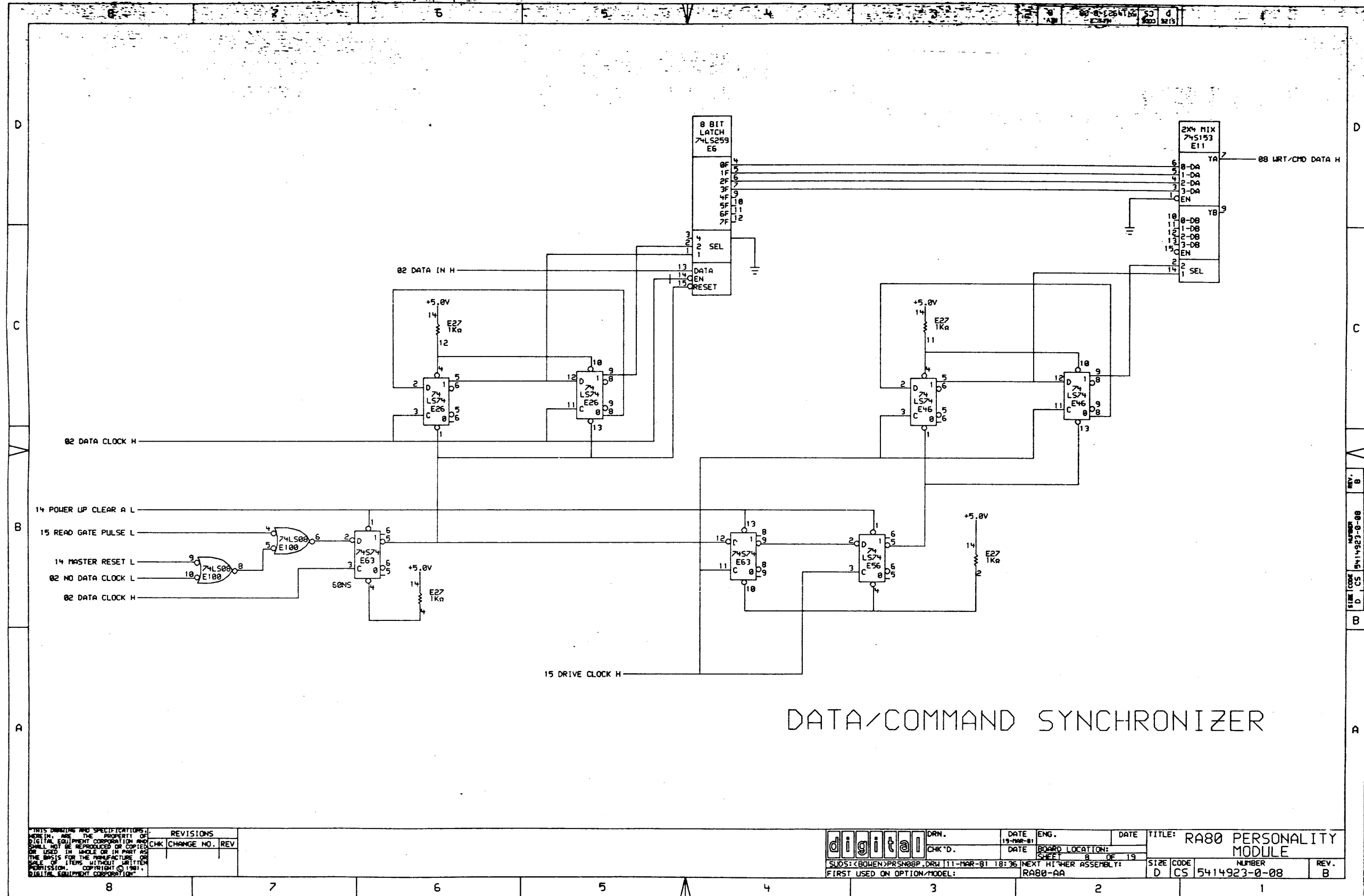
CONTROL DECODER

THIS DRAWING AND SPECIFICATIONS ARE THE PROPERTY OF DIGITAL EQUIPMENT CORPORATION AND SHALL NOT BE REPRODUCED OR COPIED OR USED IN WHOLE OR IN PART AS THE BASIS FOR THE MANUFACTURE OR SALE OF ITEMS WITHOUT WRITTEN PERMISSION. COPYRIGHT © 1981 DIGITAL EQUIPMENT CORPORATION.

REVISIONS	
CHK	CHANGE NO. REV

8	7	6	5	4	3	2	1
---	---	---	---	---	---	---	---

digital	DRN.	DATE	ENG.	DATE	TITLE: RAB0 PERSONALITY MODULE
	CHK'D.	19-100-81			
SUDS: (BOWEN) PRS02P.DRW		11-MAR-81 10:35	NEXT HIGHER ASSEMBLY:	SIZE CODE	NUMBER
FIRST USED ON OPTION/MODEL:		RAB0-AA		D CS	5414923-0-07
					REV. B

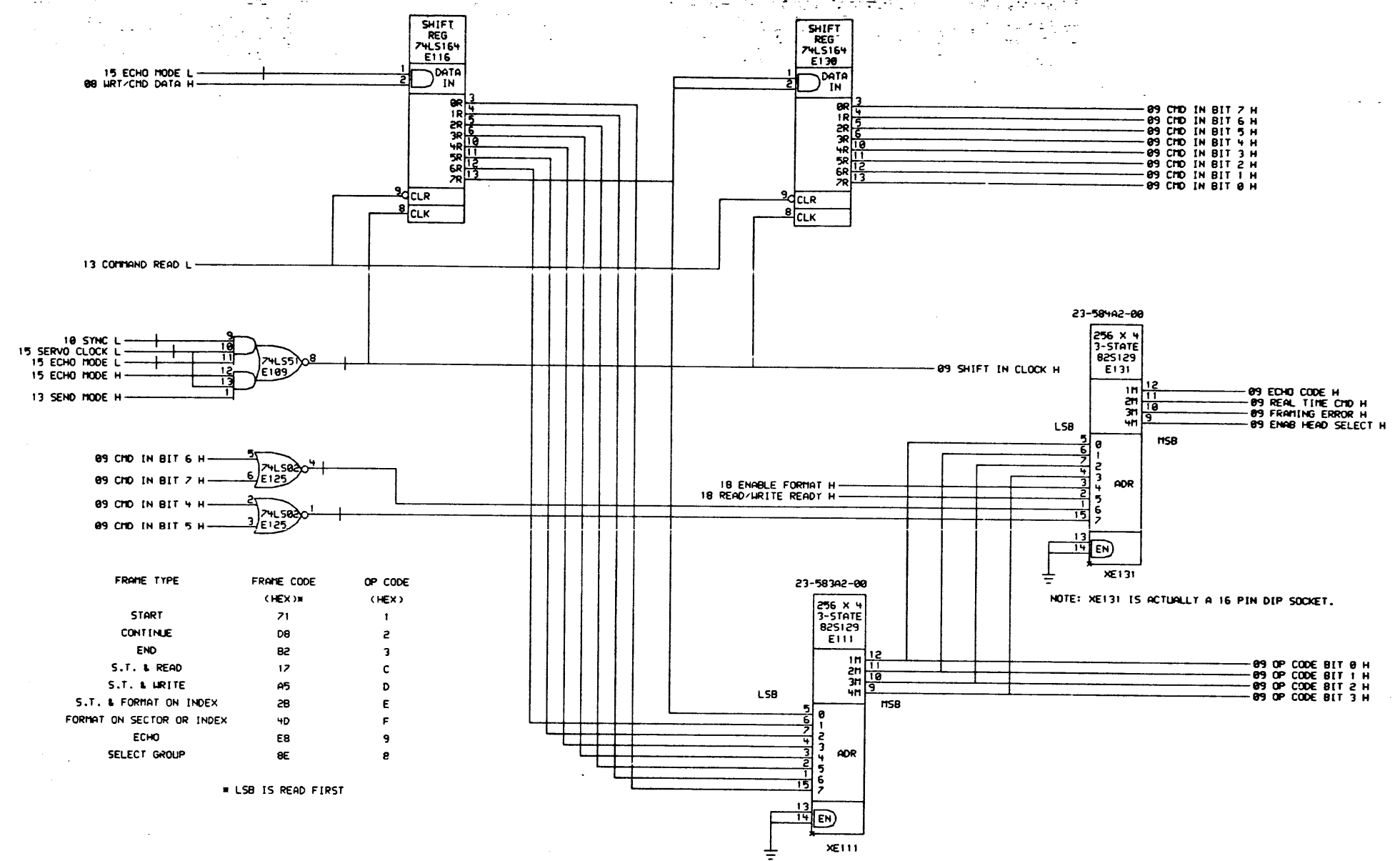


DATA/COMMAND SYNCHRONIZER

THIS DRAWING AND SPECIFICATIONS ARE THE PROPERTY OF DIGITAL EQUIPMENT CORPORATION AND SHALL NOT BE REPRODUCED OR COPIED OR USED IN WHOLE OR IN PART AS THE BASIS FOR THE MANUFACTURE OR SALE OF ITEMS WITHOUT WRITTEN PERMISSION. COPYRIGHT © 1981 DIGITAL EQUIPMENT CORPORATION.

REVISIONS		
CHK	CHANGE NO.	REV

digital	DRN.	DATE	ENG.	DATE	TITLE: RAB0 PERSONALITY MODULE
	CHK'D.	DATE	BOARD LOCATION:	SHEET 8 OF 19	SIZE CODE D CS
SUS: <BOWEN> PRSNG8P.DRW 111-MAR-81 18:36 NEXT HIGHER ASSEMBLY: RAB0-AA					NUMBER 5414923-0-08
FIRST USED ON OPTION/MODEL: RAB0-AA					REV. B



FRAME TYPE	FRAME CODE (HEX)*	OP CODE (HEX)
START	71	1
CONTINUE	08	2
END	B2	3
S.T. & READ	17	C
S.T. & WRITE	A5	D
S.T. & FORMAT ON INDEX	28	E
FORMAT ON SECTOR OR INDEX	4D	F
ECHO	E8	9
SELECT GROUP	8E	8

* LSB IS READ FIRST

NOTE: XE111 IS ACTUALLY A 16 PIN DIP SOCKET.

NOTE: XE131 IS ACTUALLY A 16 PIN DIP SOCKET.

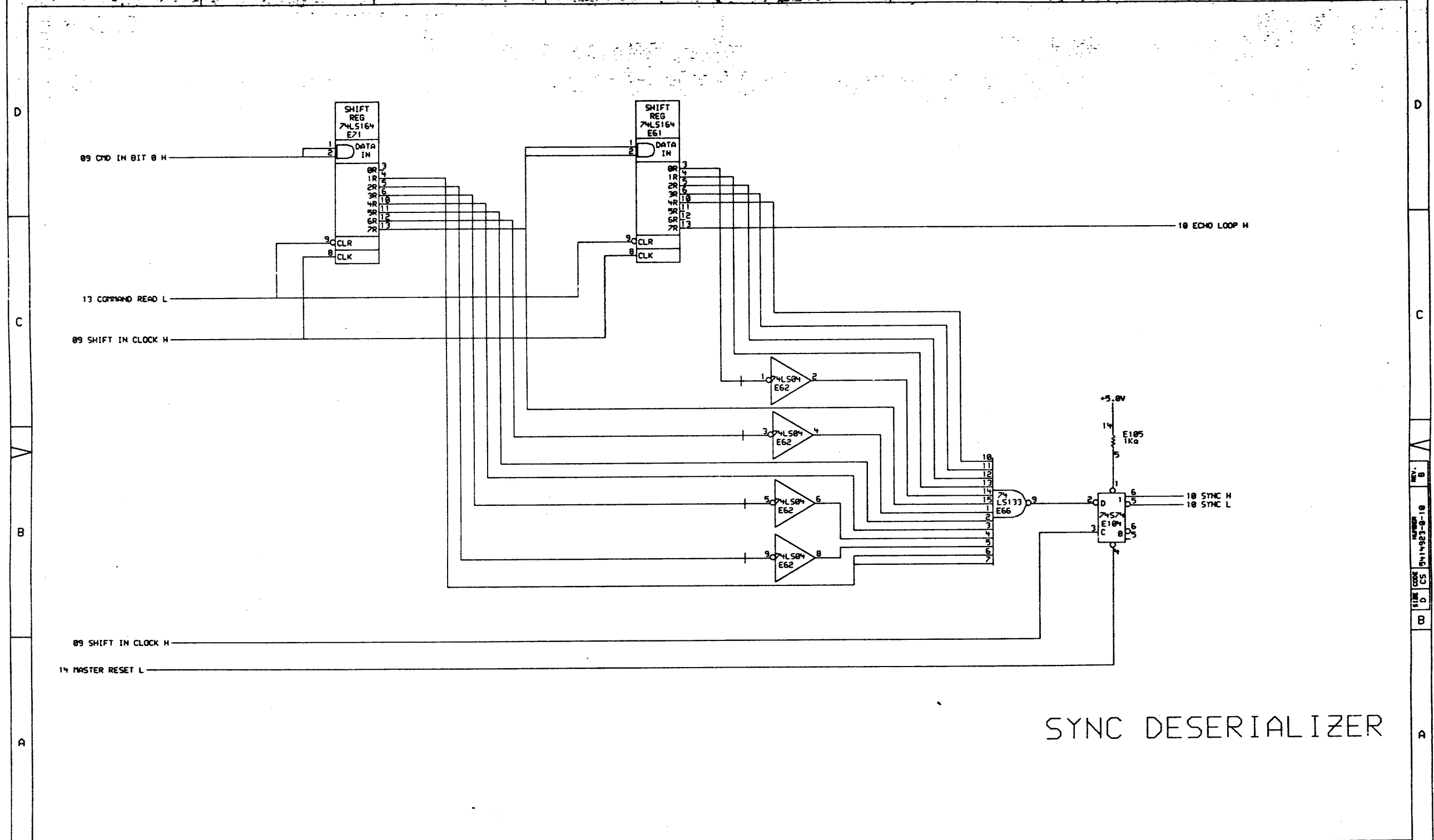
COMMAND DESERIALIZER

THIS DRAWING AND SPECIFICATIONS ARE THE PROPERTY OF DIGITAL EQUIPMENT CORPORATION AND SHALL NOT BE REPRODUCED OR COPIED OR USED IN WHOLE OR IN PART AS THE BASIS FOR THE MANUFACTURE OR SALE OF ITEMS WITHOUT WRITTEN PERMISSION. COPYRIGHT © 1981, DIGITAL EQUIPMENT CORPORATION.

REVISIONS	
CHK	CHANGE NO. REV

digital	DRN.	DATE	ENG.	DATE	TITLE: RAB0 PERSONALITY MODULE
	CHK'D.	DATE	BOARD LOCATION:	SHEET 9 OF 19	SIZE CODE NUMBER REV. D CS 5414923-0-09 B
SLDS: (BOHEN) PRSNGSP, DRW 11-MAR-81 18:36		NEXT HIGHER ASSEMBLY: RAB0-AA			
FIRST USED ON OPTION/MODEL:					

REV. B
NUMBER 5414923-0-09
SIZE CODE CS
D B



SYNC DESERIALIZER

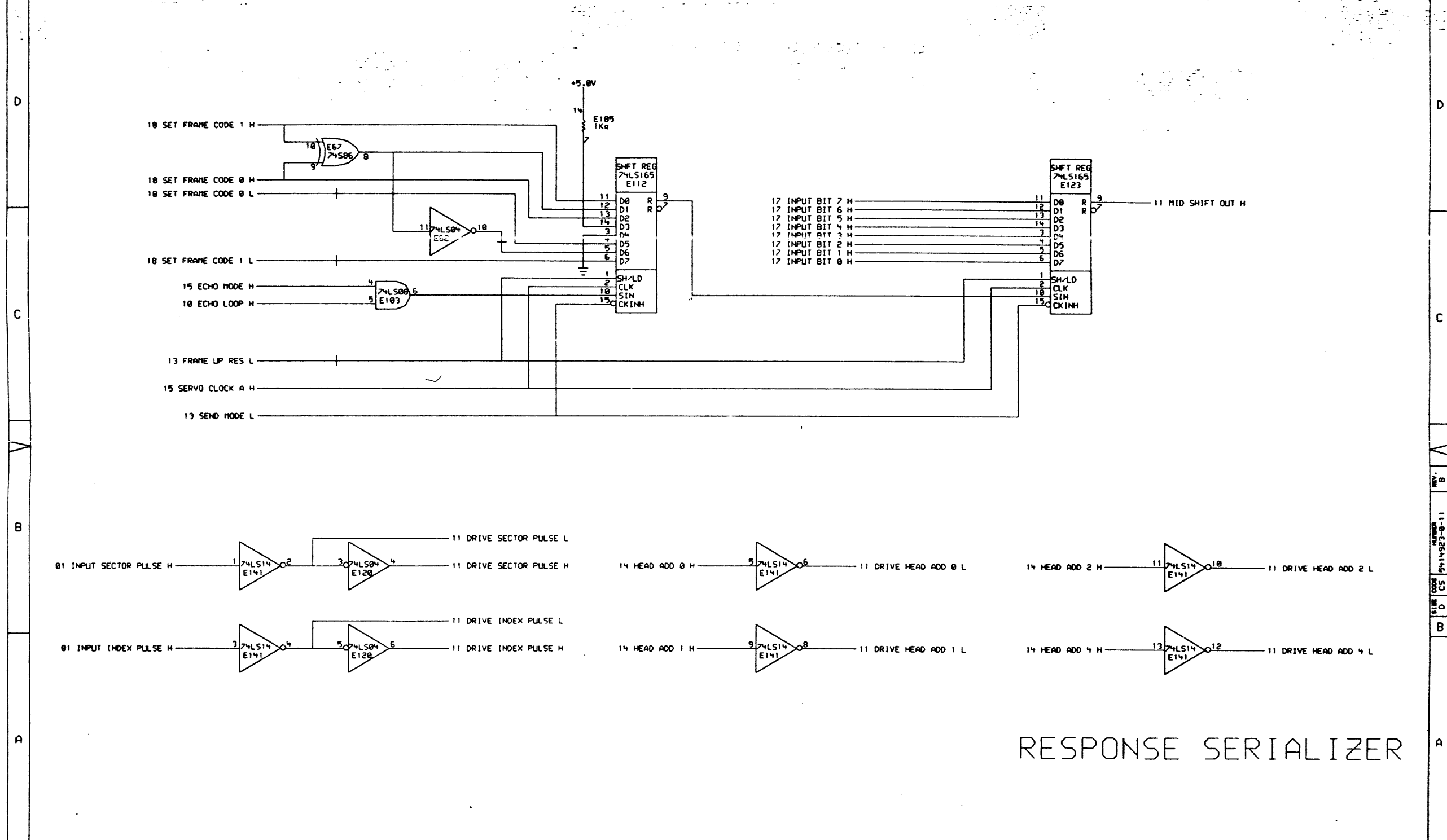
THIS DRAWING AND SPECIFICATIONS ARE THE PROPERTY OF DIGITAL EQUIPMENT CORPORATION AND SHALL NOT BE REPRODUCED OR COPIED OR USED IN WHOLE OR IN PART AS THE BASIS FOR THE MANUFACTURE OR SALE OF ITEMS WITHOUT WRITTEN PERMISSION. COPYRIGHT © 1981, DIGITAL EQUIPMENT CORPORATION.

REVISIONS	
CHK	CHANGE NO. REV

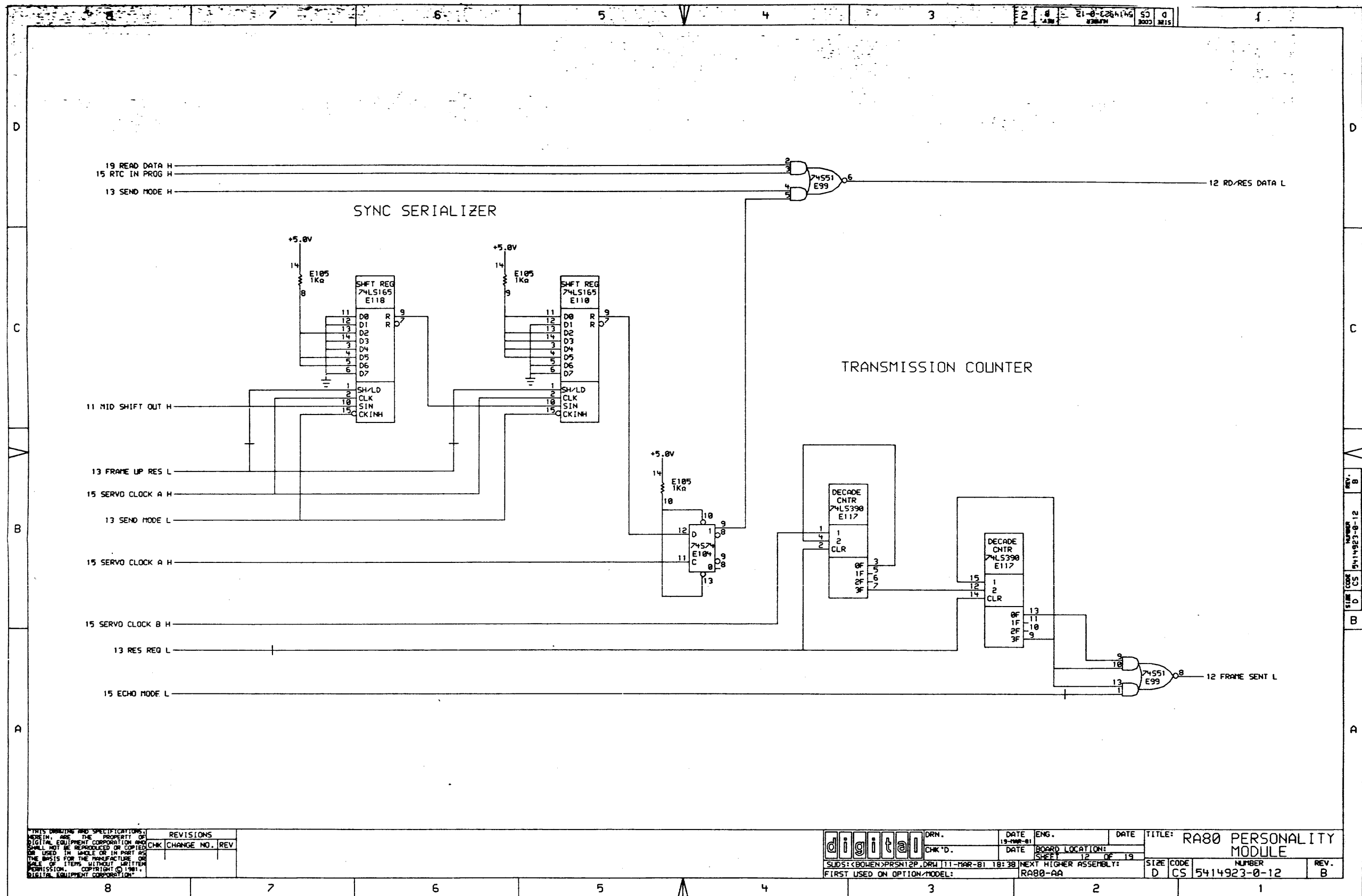
8	7	6	5	4	3	2	1
---	---	---	---	---	---	---	---

digital	DRN.	DATE	ENG.	DATE	TITLE: R480 PERSONALITY MODULE
	CHK'D.	DATE	BOARD LOCATION:	SHEET 18 OF 19	NUMBER
SUDS:(BOWEN)PRSN18P.DRW 111-MAR-81 18:32		NEXT HIGHER ASSEMBLY: R480-AA		SIZE CODE	REV. B
FIRST USED ON OPTION/MODEL:		R480-AA		D CS	5414923-0-10

REV. B
NUMBER 5414923-0-10
CS
D



RESPONSE SERIALIZER

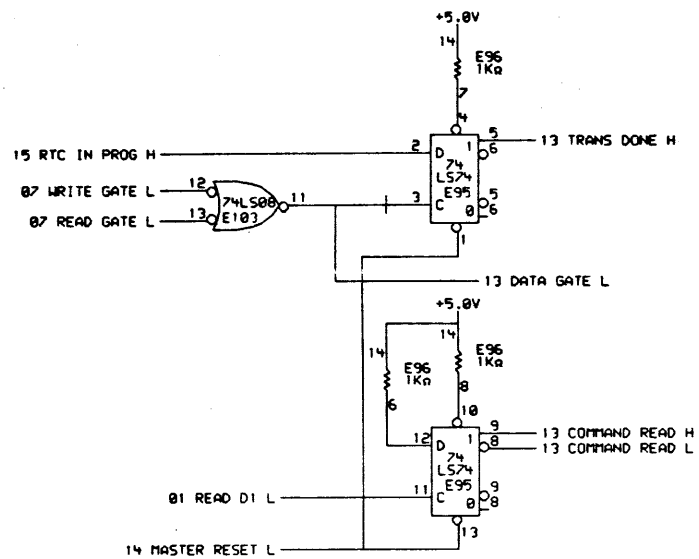


THIS DRAWING AND SPECIFICATIONS ARE THE PROPERTY OF DIGITAL EQUIPMENT CORPORATION AND SHALL NOT BE REPRODUCED OR COPIED OR USED IN WHOLE OR IN PART AS THE BASIS FOR THE MANUFACTURE OR SALE OF ITEMS WITHOUT WRITTEN PERMISSION. COPYRIGHT © 1981 DIGITAL EQUIPMENT CORPORATION.

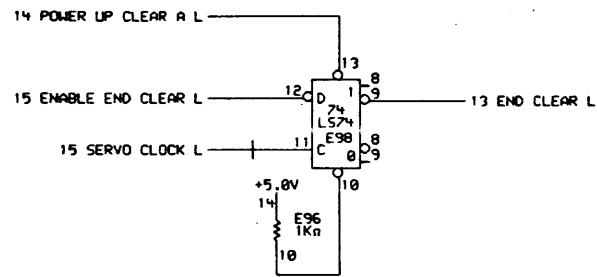
REVISIONS		
CHK	CHANGE NO.	REV

digital	DRN.	DATE	ENG.	DATE	TITLE: RAB0 PERSONALITY MODULE
	CHK'D.	DATE	BOARD LOCATION:	SHEET 12 OF 19	NUMBER
FIRST USED ON OPTION/MODEL: RAB0-AA					SIZE CODE D CS
NEXT HIGHER ASSEMBLY: RAB0-AA					NUMBER 5414923-0-12
					REV. B

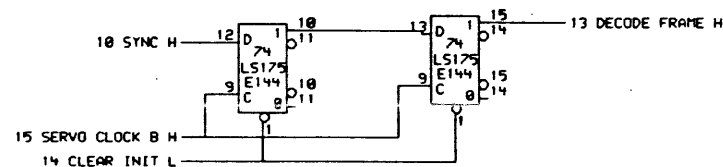
OPERATION COMPLETE



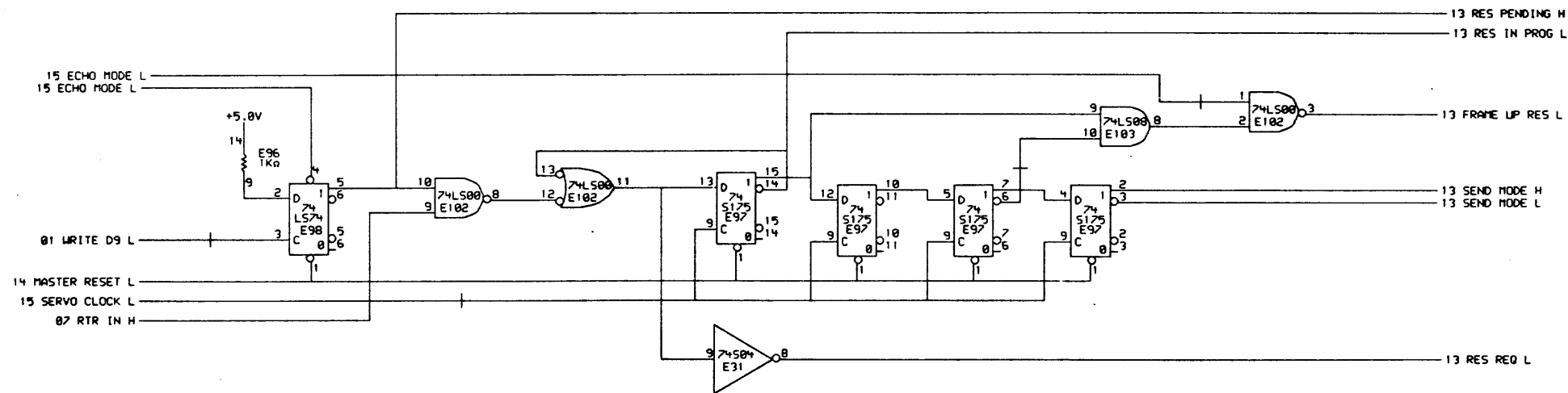
TERMINATE OPERATION



COMMAND RECEPTION SEQUENCER



RESPONSE TRANSMISSION SEQUENCER



THIS DRAWING AND SPECIFICATIONS ARE THE PROPERTY OF DIGITAL EQUIPMENT CORPORATION AND SHALL NOT BE REPRODUCED OR COPIED OR USED IN WHOLE OR IN PART AS THE BASIS FOR THE MANUFACTURE OR SALE OF ITEMS WITHOUT WRITTEN PERMISSION. COPYRIGHT © 1981 DIGITAL EQUIPMENT CORPORATION

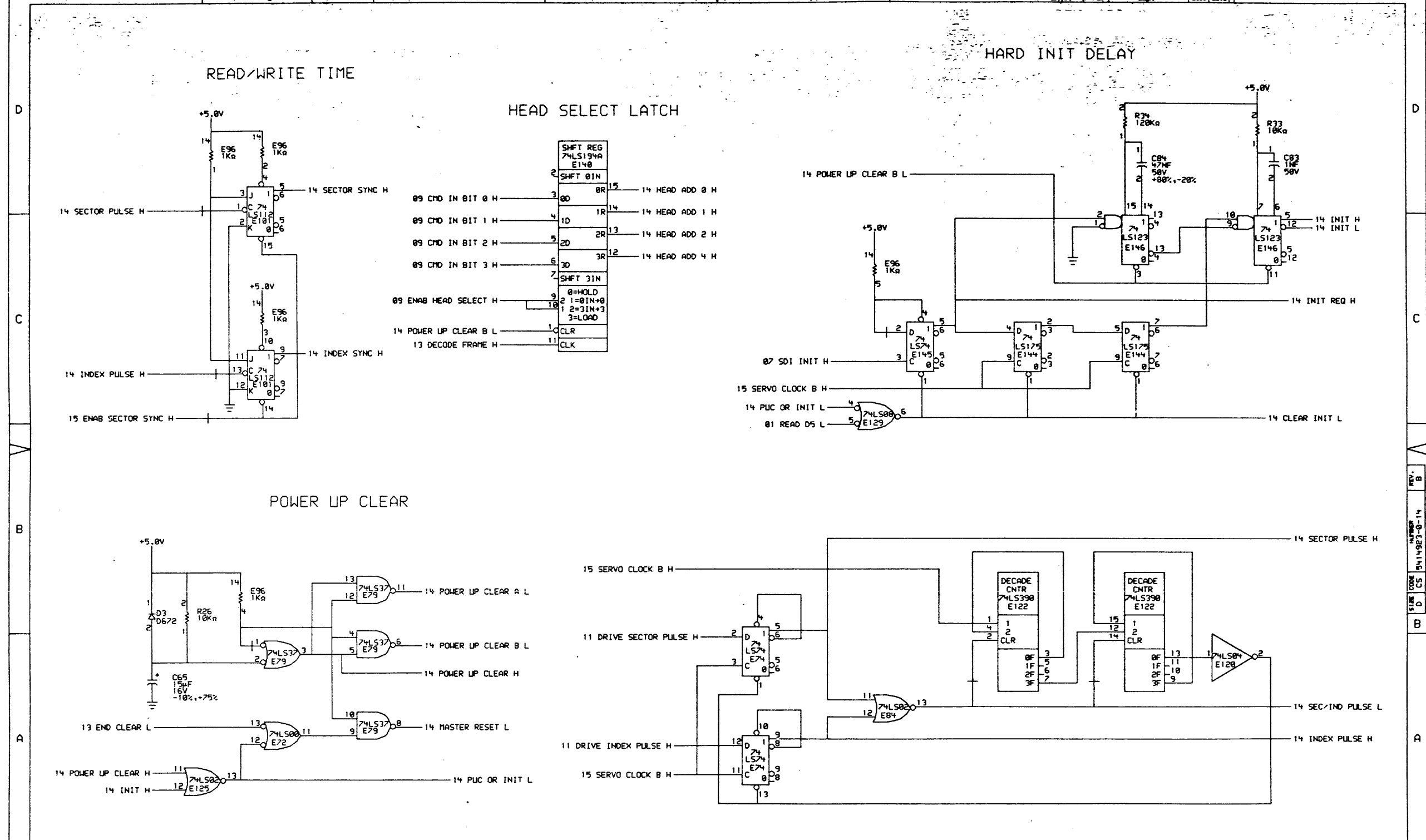
REVISIONS		
CHK	CHANGE NO.	REV

digital ORN.
 CHK'D. DATE 19-MAR-81
 SLDS: <BOWEN>PRSN13P.DRW 111-MAR-81 18:39
 FIRST USED ON OPTION/MODEL: RAB0-AA

DATE 19-MAR-81
 BOARD LOCATION: RAB0-AA
 SHEET 13 OF 19
 NEXT HIGHER ASSEMBLY:

TITLE: RAB0 PERSONALITY MODULE
 SIZE CODE D CS
 NUMBER 5414923-0-13
 REV. B

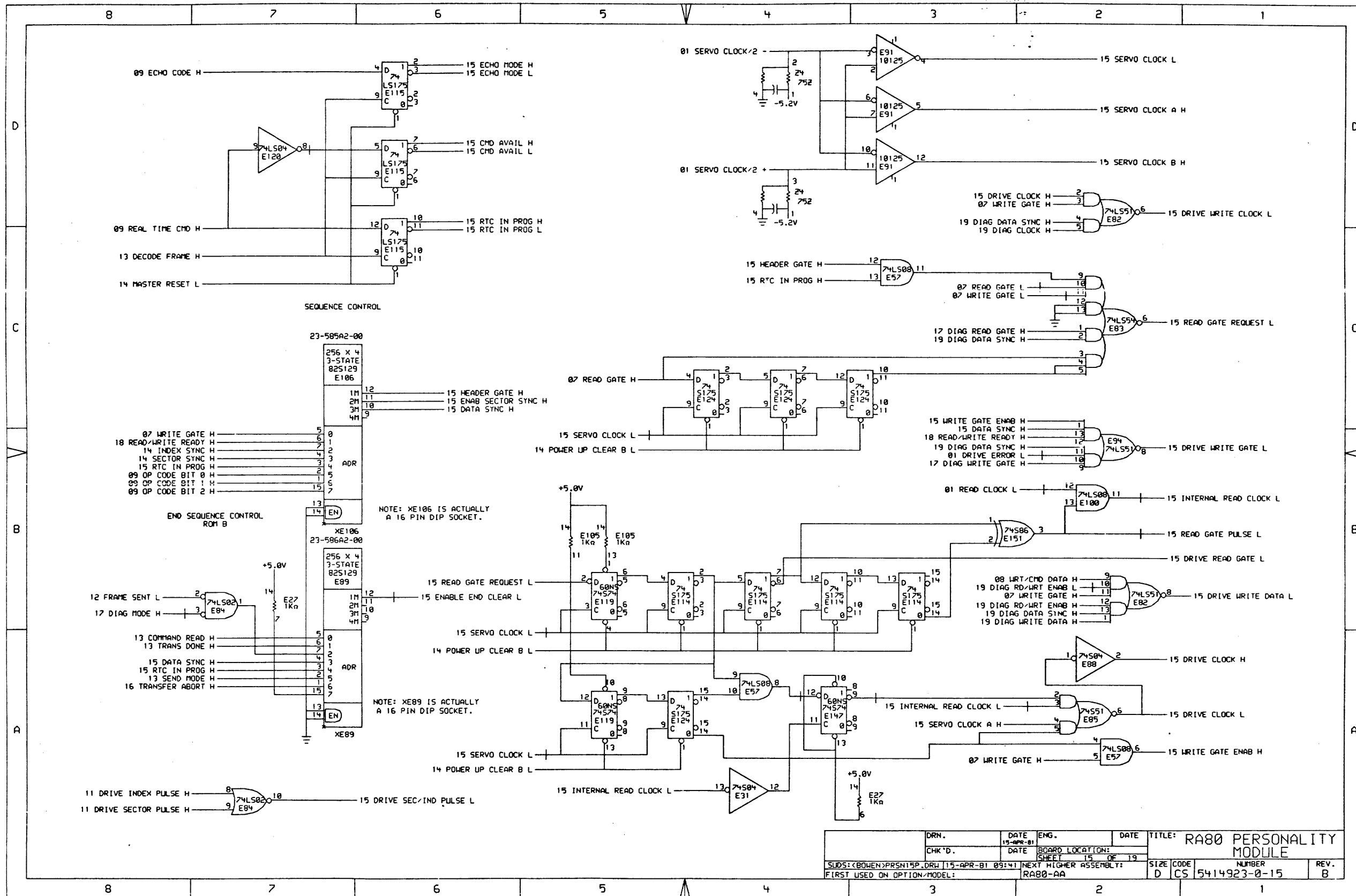
REV. B
 NUMBER 5414923-0-13
 SIZE CODE D CS



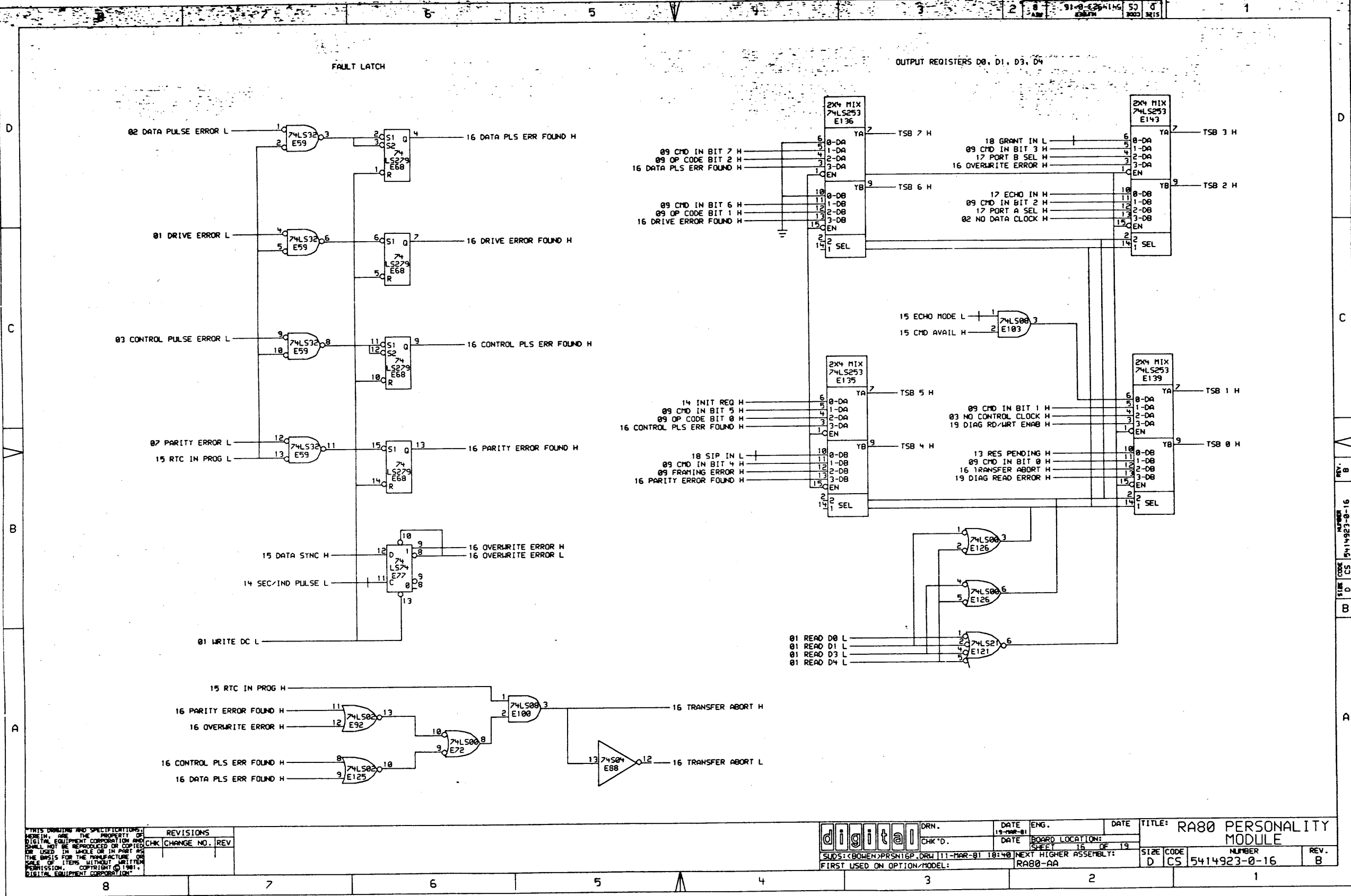
REVISIONS	
CHK	CHANGE NO. REV

DATE	ENG.	DATE	TITLE:
19-MAR-81			R80 PERSONALITY MODULE

SIZE	CODE	CS	NUMBER	REV.
D	CS	5414923-0-14	B	



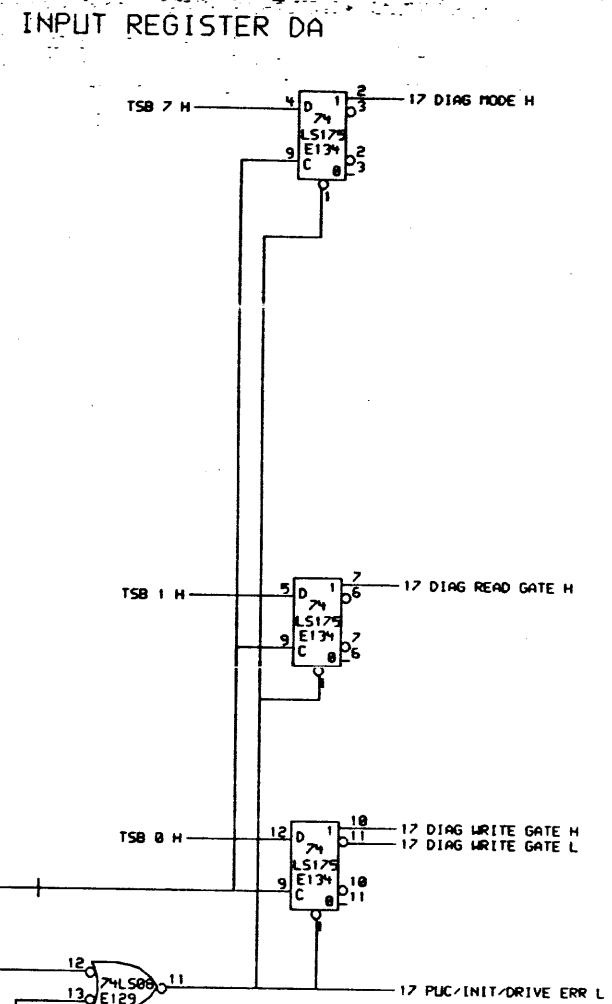
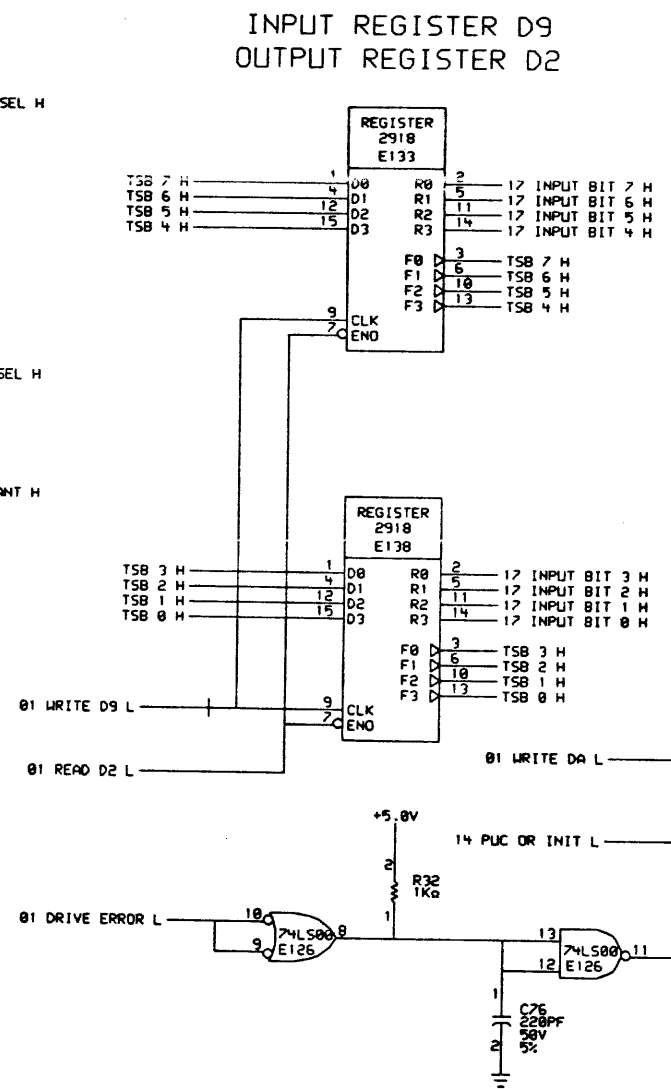
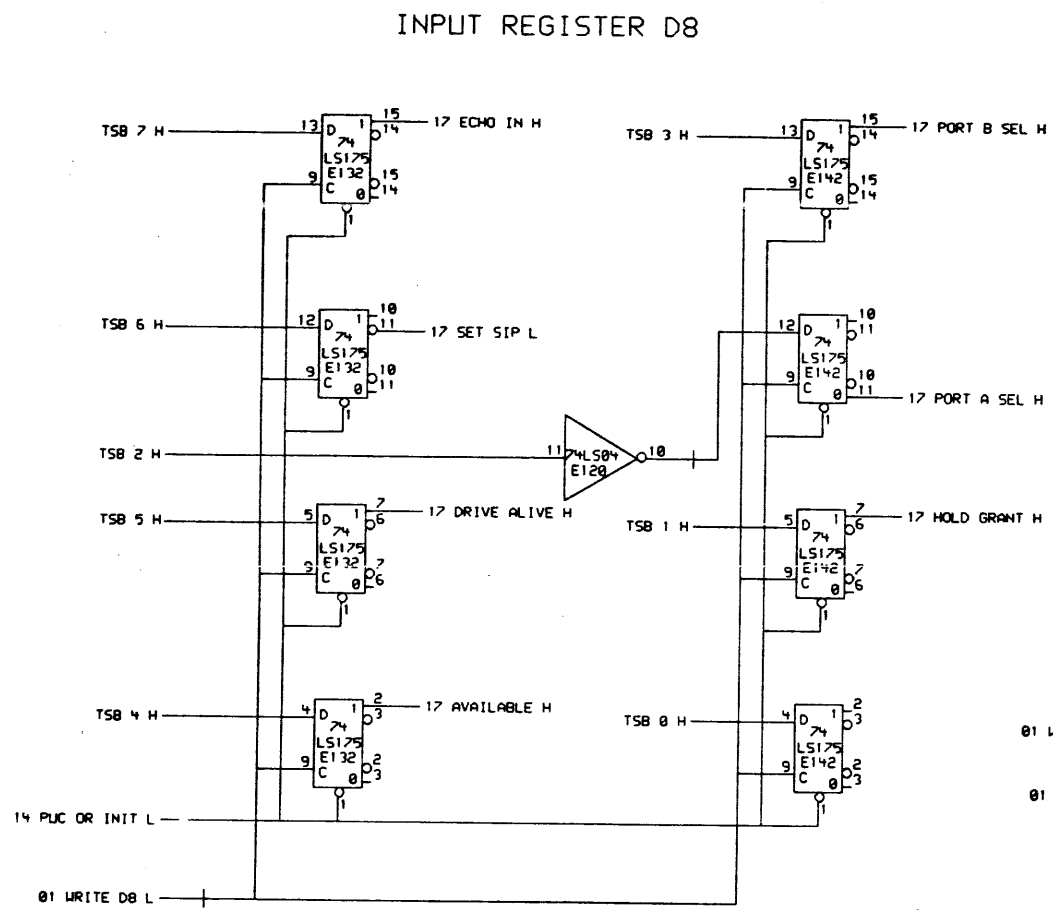
DRN.	DATE	ENG.	DATE	TITLE:
CHK'D.	15-APR-81	BOARD LOCATION:	SHEET 15 OF 19	RAB0 PERSONALITY MODULE
SUITS: (BOWEN) PRSN15P.DRW	15-APR-81 09:41	NEXT HIGHER ASSEMBLY:	SIZE CODE	NUMBER
FIRST USED ON OPTION MODEL:	RAB0-AA		D CS	5414923-0-15
				REV. B



THIS DRAWING AND SPECIFICATIONS HEREIN ARE THE PROPERTY OF DIGITAL EQUIPMENT CORPORATION AND SHALL NOT BE REPRODUCED OR COPIED OR USED IN WHOLE OR IN PART AS THE BASIS FOR THE MANUFACTURE OR SALE OF ITEMS WITHOUT WRITTEN PERMISSION. COPYRIGHT © 1981, DIGITAL EQUIPMENT CORPORATION.

REVISIONS	
CHK	CHANGE NO. REV

digital	DRN.	DATE	ENG.	DATE	TITLE: RAB0 PERSONALITY MODULE
	CHK'D.	DATE	BOARD LOCATION:	SHEET 16 OF 19	SIZE CODE NUMBER REV.
SUDS: (BOWEN) PRSNISP.DRW 11-MAR-81 18:48			NEXT HIGHER ASSEMBLY: RAB0-AA		D CS 5414923-0-16 B
FIRST USED ON OPTION/MODEL:					1

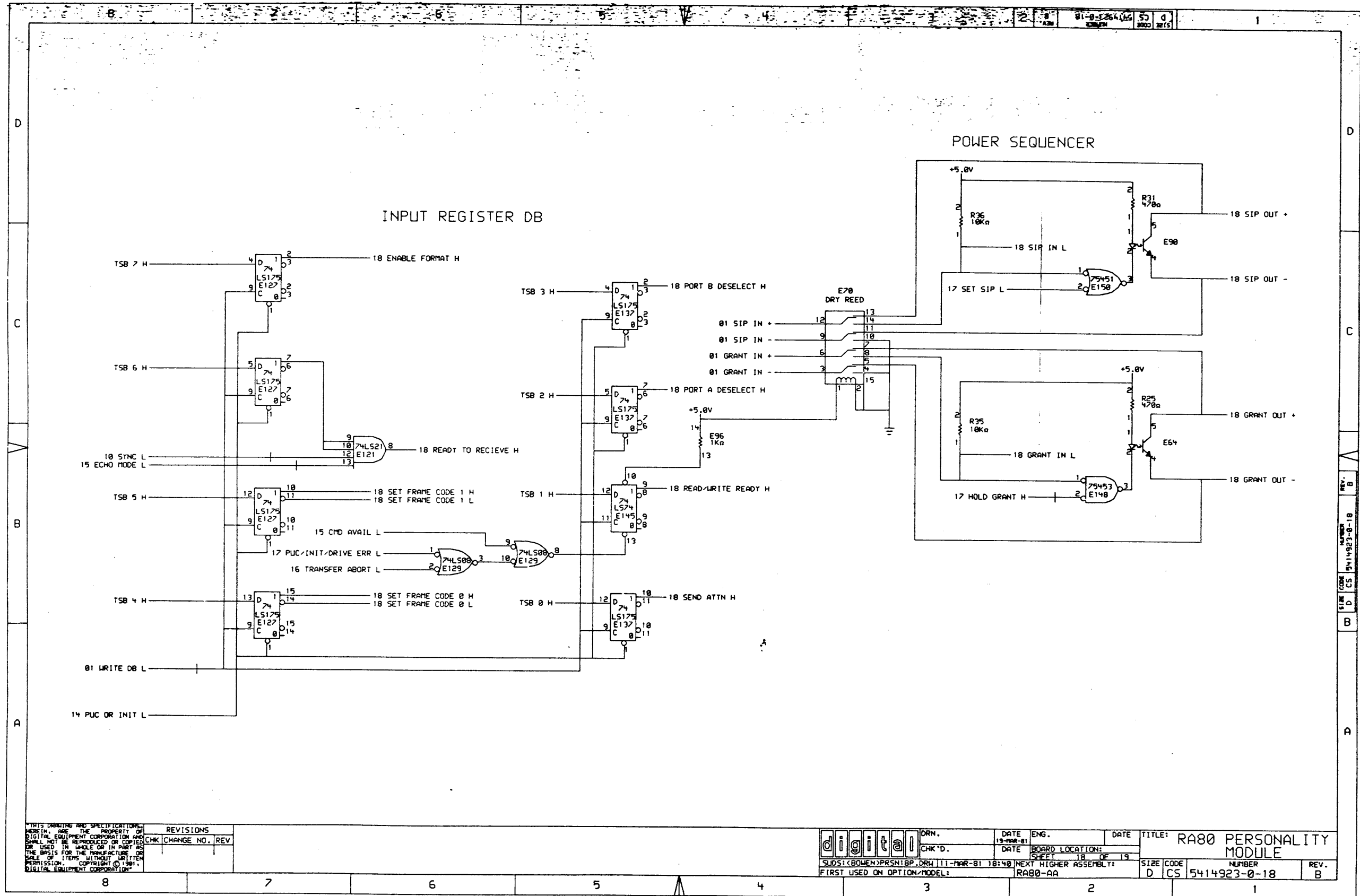


THIS DRAWING AND SPECIFICATIONS ARE THE PROPERTY OF DIGITAL EQUIPMENT CORPORATION AND SHALL NOT BE REPRODUCED OR COPIED OR USED IN WHOLE OR IN PART AS THE BASIS FOR THE MANUFACTURE OR SALE OF ITEMS WITHOUT WRITTEN PERMISSION. COPYRIGHT © 1981 DIGITAL EQUIPMENT CORPORATION.

REVISIONS	
CHK	CHANGE NO. REV

digital	DRN.	DATE	ENG.	DATE	TITLE: RAB0 PERSONALITY MODULE
	CHK'D.	DATE	BOARD LOCATION:	SHEET 17 OF 19	NUMBER
SUDS: (BOWEN) PRSN17P.DRW 111-MAR-81 18:48		NEXT HIGHER ASSEMBLY: RAB0-AA		SIZE CODE	REV. B
FIRST USED ON OPTION/MODEL:				D CS 5414923-0-17	

REV. B
NUMBER 5414923-0-17
SHEET 17 OF 19
REV. B



THIS DRAWING AND SPECIFICATIONS, HEREIN, ARE THE PROPERTY OF DIGITAL EQUIPMENT CORPORATION AND SHALL NOT BE REPRODUCED OR COPIED OR USED IN WHOLE OR IN PART AS THE BASIS FOR THE MANUFACTURE OR SALE OF ITEMS WITHOUT WRITTEN PERMISSION. COPYRIGHT © 1981, DIGITAL EQUIPMENT CORPORATION.

REVISIONS	
CHK	CHANGE NO. REV

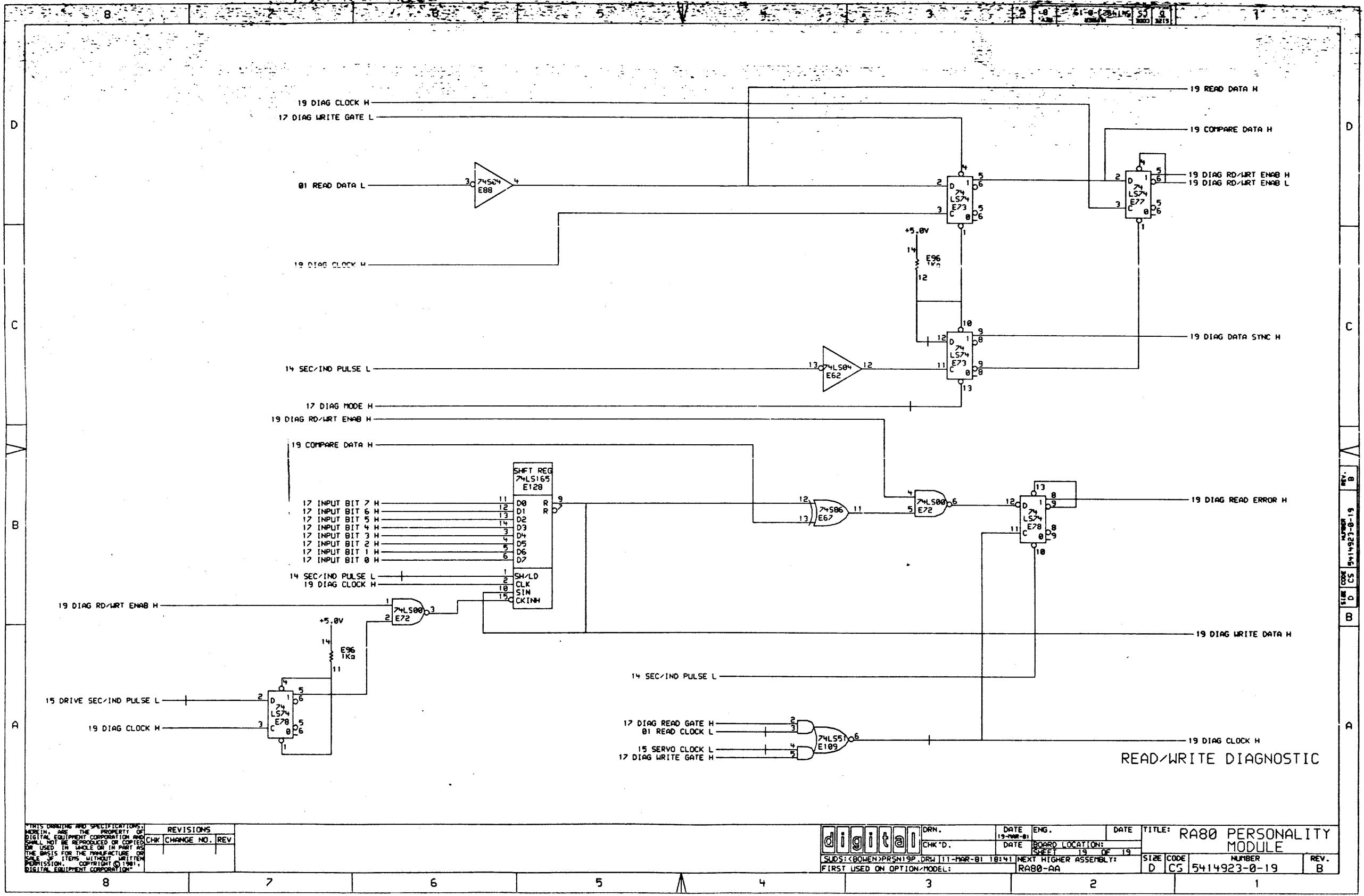
digital DRN. 19-MAR-81 ENG. DATE 19-MAR-81

CHK'D. DATE BOARD LOCATION: SHEET 18 OF 19

TITLE: RAB0 PERSONALITY MODULE

SLD51(COWEN)PRSN18P.DRW 11-MAR-81 10:40 NEXT HIGHER ASSEMBLY: RAB0-AA

SIZE CODE NUMBER REV. D CS 5414923-0-18 B



THIS DRAWING AND SPECIFICATIONS ARE THE PROPERTY OF DIGITAL EQUIPMENT CORPORATION AND SHALL NOT BE REPRODUCED OR COPIED OR USED IN WHOLE OR IN PART AS THE BASIS FOR THE MANUFACTURE OR SALE OF ITEMS WITHOUT WRITTEN PERMISSION. COPYRIGHT © 1981, DIGITAL EQUIPMENT CORPORATION.

REVISIONS		
CHK	CHANGE NO.	REV

8	7	6	5	4	3	2	1
---	---	---	---	---	---	---	---

digital	DRN.	DATE	ENG.	DATE	TITLE: R800 PERSONALITY MODULE
	CHK'D.	DATE	BOARD LOCATION:	SHEET 19 OF 19	
SUDS: (BOWEN) PRSN19P.DRW (11-MAR-81 18:41) NEXT HIGHER ASSEMBLY: R800-AA		SIZE	CODE	NUMBER	REV.
FIRST USED ON OPTION/MODEL:		D	C5	5414923-0-19	B

REV. B
 NUMBER 5414923-0-19
 CODE D CS
 SIZE D CS